

# Tmax molded case circuit-breakers

## Tmax T3

### Compliance with Standards

UL489
CSA C22.2 No. 5.1
IEC 60947-2
EC Directive:
- "Low voltage directives" (LVD) no. 73/23 EEC
- "Electromagnetic compatibility directive" (EMC) no. 89/336 EEC



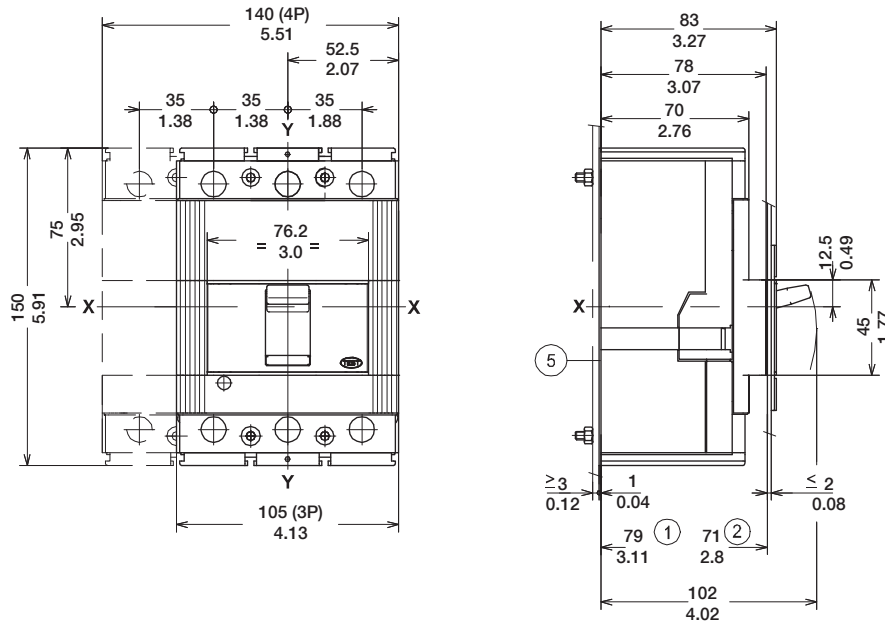
Type of circuit-breaker		Tmax T3	
Frame		225	
<b>Rated ultimate short-circuit breaking capacity, I<sub>cu</sub></b>		<b>N</b>	<b>S</b>
(AC) 50-60 Hz 240 V	[kA]	50	65
(AC) 50-60 Hz 277 V	[kA]	-	-
(AC) 50-60 Hz 347 V	[kA]	-	-
(AC) 50-60 Hz 480 V	[kA]	25	35
(AC) 50-60 Hz 600Y/347 V	[kA]	10	10
(AC) 50-60 Hz 600 V	[kA]	-	-
(DC) 250 V-2 poles in series	[kA]	25	35
(DC) 500 V-2 poles in series	[kA]	-	-
(DC) 500 V-3 poles in series	[kA]	25	35
(DC) 600 V-3 poles in series	[kA]	-	-
<b>Trip units:</b>			
Thermomagnetic	T fixed, M fixed (10xIn) TMF		•
	T adj., M fixed (10xIn) TMD		-
	T adj., M adj. (5...10xIn) TMA		-
	T adj., M fixed (3xIn) TMG		-
Magnetic only	T adj., M adj. (2.5...5xIn) TMG		-
	M adjustable (6...12xIn) MA		•
Electronic	PR221DS		-
	PR222DS/P		-
	PR222DS/PD-A		-
Versions			F-P
Terminals	Fixed (F)		F-FC CuAl
	Plug-in (P)		F-FC CuAl EF-ES-R
	Withdrawable (W)		
Fixing on DIN rail			Option
Mechanical life	[No. operations /hourly oper.]		25000/240
Electrical life (at 415 V)	[No. operations /hourly oper.]		8000/120
Basic fixed dimensions	3/4 pole	W [mm]	105/140
		D [mm]	70/70
		H [mm]	150/150
Weights	fixed 3/4 pole	[kg]	1.5/2
	plug-in 3/4 pole	[kg]	2.7/3.7
	Withdrawable 3/4 pole	[kg]	-



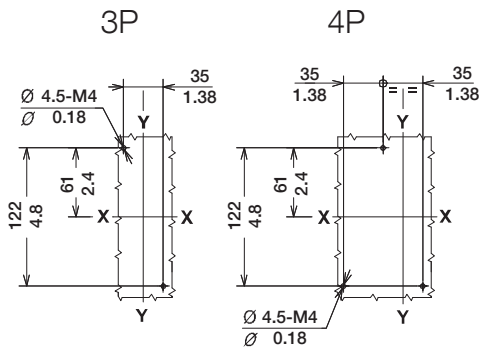
# Tmax molded case circuit-breakers

## Dimensions T3 series

### Overall dimensions T3



### Drilling template for support sheet



# Contact us

## Canada

**ABB Inc.**

**Low Voltage Products**

**2117 – 32nd Avenue**

**Lachine, QC, CANADA H8T 3J1**

**Tel.: 514-420-3100**

**Fax: 514-420-3137**

**Toll Free: 1-800-567-0283**

[www.abb.ca](http://www.abb.ca)

While all care has been taken to ensure that the information contained in this publication is correct, no responsibility can be accepted for any inaccuracy. The Company reserves the right to alter or modify the information contained herein at any time in the light of technical or other developments. Technical specifications are valid under normal operating conditions only. The Company does not accept any responsibility for any misuse of the product and cannot be held liable for indirect or consequential damages.

© Copyright 2011 ABB Inc. All rights reserved.

