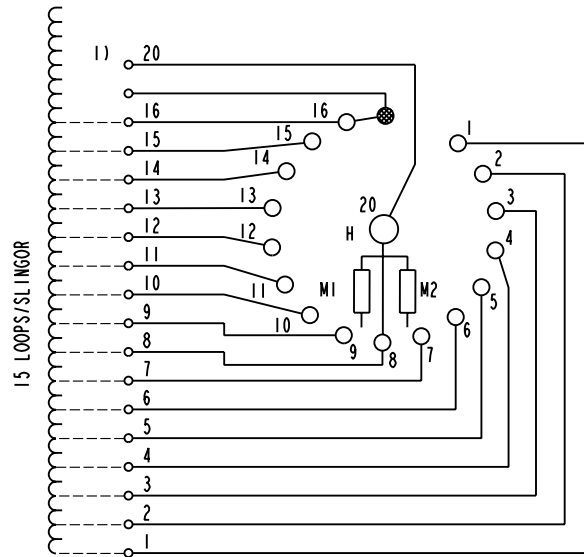


We reserve all rights in this document and in the information contained therein. Reproduction, use or disclosure to third parties without express authority is strictly forbidden. © ABB 19

Pos. Lage	H connects H förbinder
1	1 - 20
2	2 - 20
3	3 - 20
4	4 - 20
5	5 - 20
6	6 - 20
7	7 - 20
8	8 - 20
9	9 - 20
10	10 - 20
11	11 - 20
12	12 - 20
13	13 - 20
14	14 - 20
15	15 - 20
16	16 - 20

On-load tap-changer type UZEL., UZFL., 16 tap positions, linear switching.
Max. effective No. of turns in pos. 1.
The tap-changer is delivered set in pos. 8.

Lindningskopplare typ UZEL., UZFL., 16 lägen, linjär koppling.
Max. antal effektiva varv i läge 1.
Lindningskopplaren levereras inställd i läge 8.

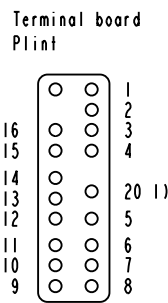


The tap-changer is shown in pos. 8
Lindningskopplaren visad i läge 8

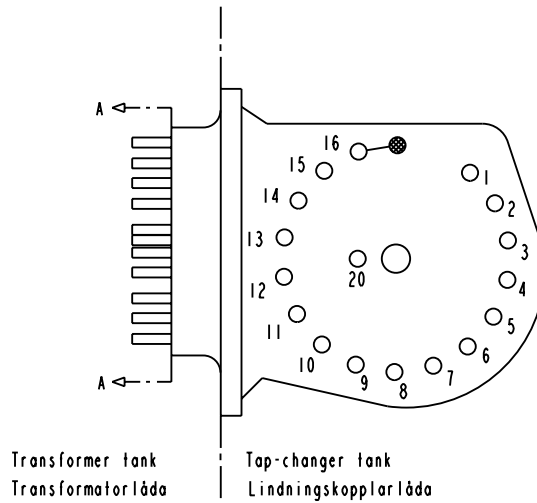
H Main contact M1, M2 Transition contacts
Huvudkontakt Motståndskontakter

1) Connections between the terminals 20 of the three phases are included in the star-point type.

Förbindningar mellan uttag 20 i de tre faserna ingår i nollpunktsutförandet.



Section A-A
Sektion A-A



Transformer tank
Transformatorlåda

Tap-changer tank
Lindningskopplarlåda

Sheet	Cont
Year	Week
Dept	
Rev	Ind
Design checked by	
Form No.	

-	-	-	-
Rev	Ind	Appd	Year Week
Accepted by qual control R. Yngvesson		Accepted for prod by	
Description (English) CONNECTION DIAGRAM		DATA ORIGINAL	
Design checked by B-O. Stenestam		Description (own language) KOPPLINGSSCHEMA	
Drawn by L. Bergman		File name 0393-12	
Drawing checked by M. Hedlund		Issued by Dept Year Week COM/TKO 97 33	
Lang		Sheet	
Rev		Cont	
-		-	



Asea Brown Boveri

5492 0393-12