



All round protection
The weatherguard range





Double switch



Isolator



Double socket



Weatherproof switched isolator IP66



Features

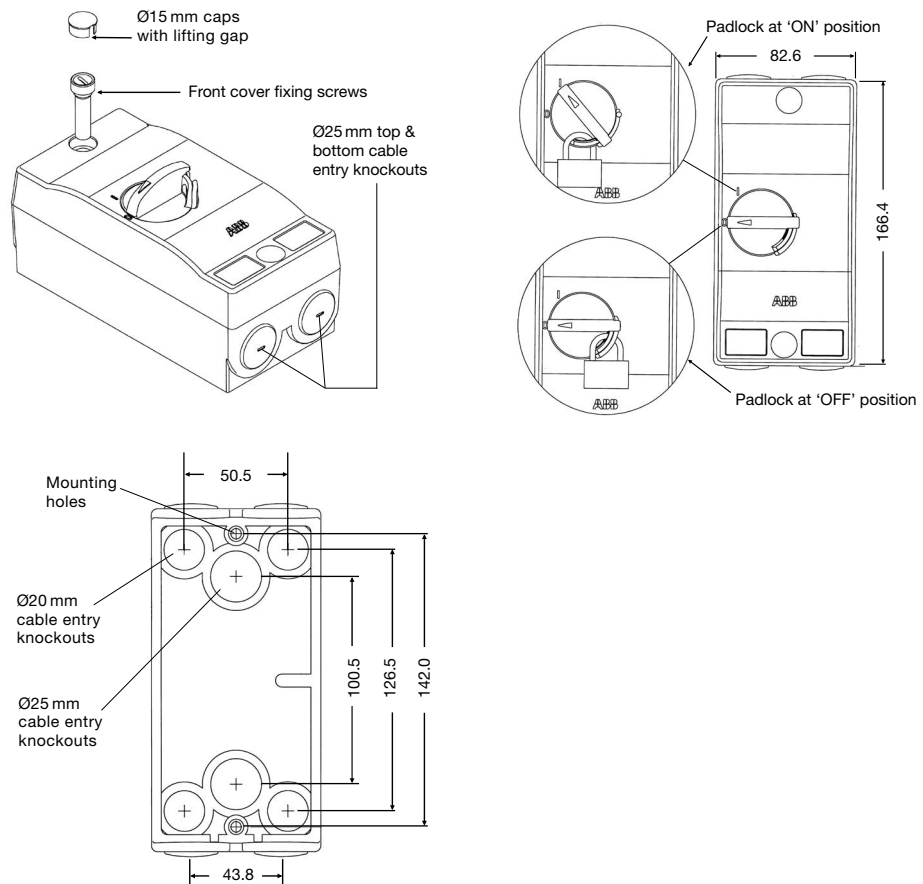
- Padlockable in 'ON' and 'OFF' position
- Cable entry from top or bottom
- IP66 protection rating

Technical specification

Standard specifications	IEC 60947-3 & BS EN 60947-3
Rated operational voltage U_e	240/440 V
Rated insulation voltage U_i	630 V
Rated impulse withstand voltage U_{imp}	2.5 kV 1.2/50 μ s
Rated frequency	50/60 Hz
Rated utilization category	AC-23A
Rated making capacity	$3 I_e$
Rated breaking capacity	$3 I_c$
Rated short-time withstand current I_{cw}	$15 I_e$ for 1s
Rated short-circuit making capacity I_{cm}	4500 A
Pollution degree	3
Degree of protection	IP66

Ordering details

Rated operation current	Order code	
	2 pole	4 pole
20 A	WSD220	WSD420
32 A	WSD232	WSD432
45 A	WSD245	WSD445
63 A	WSD263	WSD463



Weatherproof switches IP66



1 gang switch



2 gang switch

Features

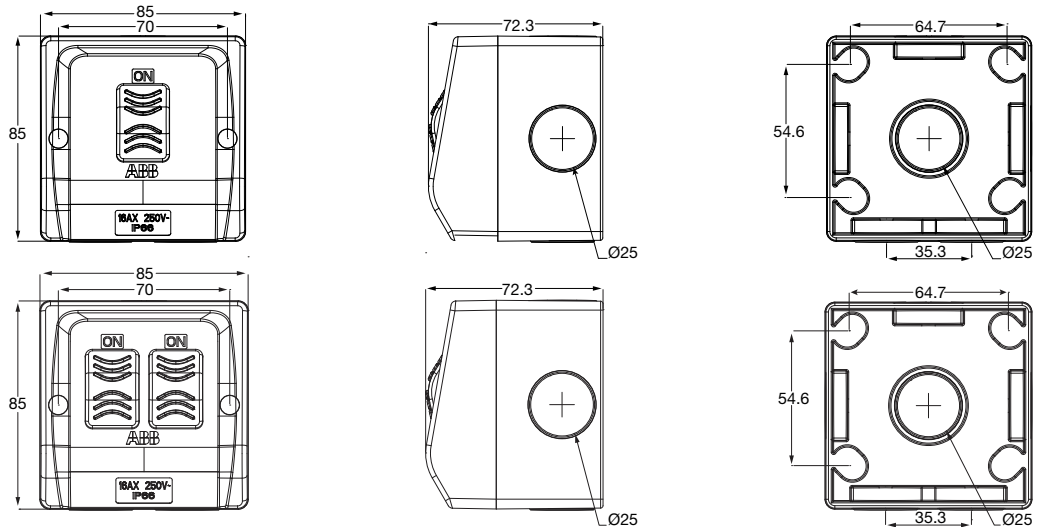
- UV stabilized Polycarbonate
- Easy to grip toggles even when operating with bulky gloves
- IP66 protection rating

Technical specification

Standard specifications	AS/NZS 3133:2013
	AS/NZS 3100:2009
Rated voltage	250 VAC
Rated current	16 AX
Degree of protection	IP66

Ordering details

Type	Order code
1 gang switch	WSW211
2 gang switch	WSW221



Weatherproof sockets IP53



1 gang switched socket outlet



2 gang switched socket outlet

Features

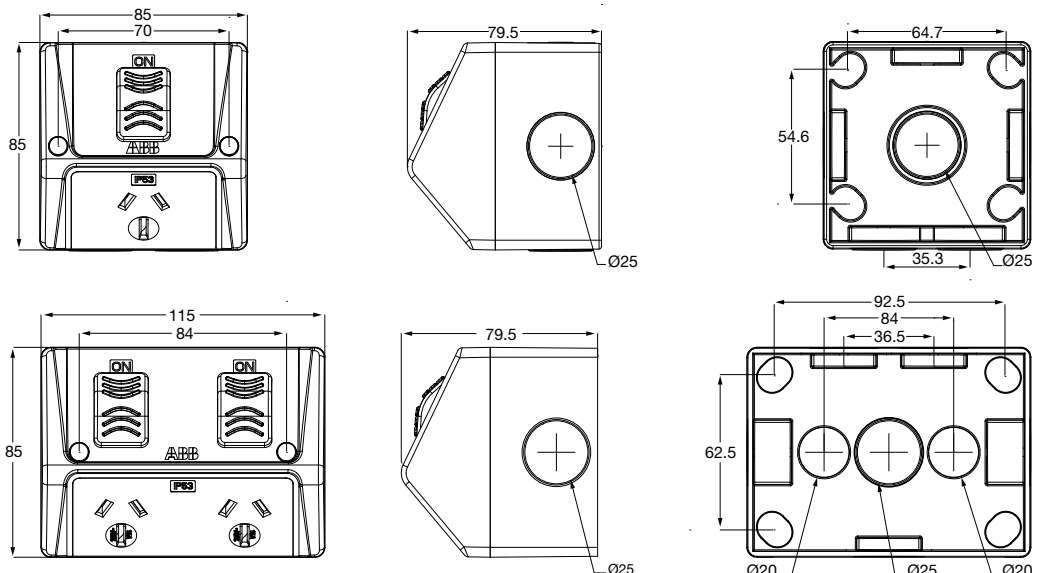
- UV stabilized Polycarbonate
- Easy grip toggles even when operating with bulky gloves
- IP53 protection rating

Technical specification

Standard specifications	AS/NZS 3112:2011
Rated voltage	250 VAC
Rated current	10 A
Degree of protection	IP53

Ordering details

Type	Order code
1 gang switched socket outlet	WS0110
2 gang switched socket outlet	WS0210



Contact us

ABB Australia Pty Limited

601 Blackburn Road
Notting Hill, Melbourne
VIC 3168

For enquiries

Phone: 1800 602 020

E-mail: abb.lvp.sales@au.abb.com

www.abbaustralia.com.au/lowvoltage

Note: We reserve the right to make technical changes or modify the contents of this document without prior notice. With regard to purchase orders, the agreed particulars shall prevail. ABB Australia does not accept any responsibility whatsoever for potential errors or possible lack of information in this document.

We reserve all rights in this document and in the subject matter and illustrations contained therein. Any reproduction, disclosure to third parties or utilization of its contents – in whole or in parts – is forbidden without prior written consent of ABB Australia.

Copyright © 2015 ABB
All rights reserved

ABB New Zealand Limited

570 Mt Wellington Highway
Mt Wellington
Auckland 1062

For enquiries

Phone: 0800 464 222

E-mail: lvproducts@nz.abb.com

www.abb.co.nz/lowvoltage

Catalogue number: 9AKK106713A0583