

---

 TECHNICAL DATA SHEET

# ABB cable glands – SCG series

## Stainless Steel 316L, general purpose cable glands



Stainless steel cable glands for general purpose use, OEM, industrial and commercial applications, where a high level of corrosion resistance may be required.

**Certifications / Standards:**

(Refer to tables for certifications details)




---

**Features & Benefits:**

- Low profile compact cable glands
- Wide cable clamping range
- Excellent corrosion resistance
- Ideal for wet locations

---

**Applications:**

- General purpose
- Panel building
- Light fixture and housings
- Machine building
- Waste treatment
- Suitable for cable types:
  - Non-armoured
  - Portable
  - Tray

---

**Material:**

- Stainless steel 316L construction
- Chloroprene seals

---

**Environmental ratings:**
**Working Temperature:**

- Normal use: -20 to +100°C (-4 to +212°F)
- Short term: -30 to +150°C (-22 to +302°F)

**Ingress protection:**

To ensure ingress protection, use suitable gasket and lock nut when required.

- IP66
- IP68 (5 bar 30 mins)
- NEMA 4

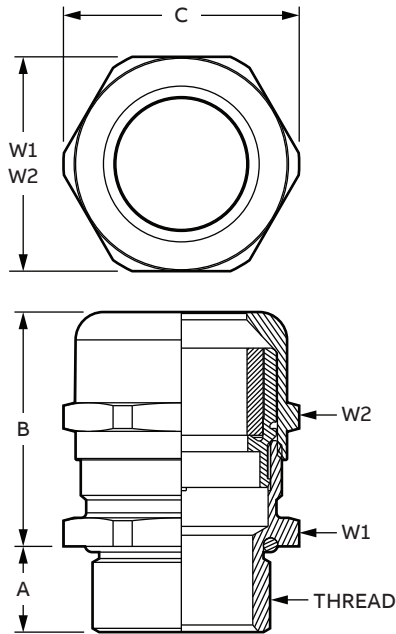
**Chemical resistance guide:**

- See publication TDS000081

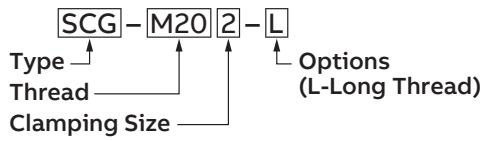
---

**Conforms to:**

- UL514B / CSA C22.2 No 18.3 (see table for details)
- EN 62444
- RoHS (Restriction of Hazardous Substances Directive) 2011/65/EU Incorporating 2015/863 amendment to Annex II
- WEEE (Waste Electrical & Electronic Equipment Directive) 2002/96/EC
- LVD (Low Voltage Directive) 2014/35/EU



### Part number information:

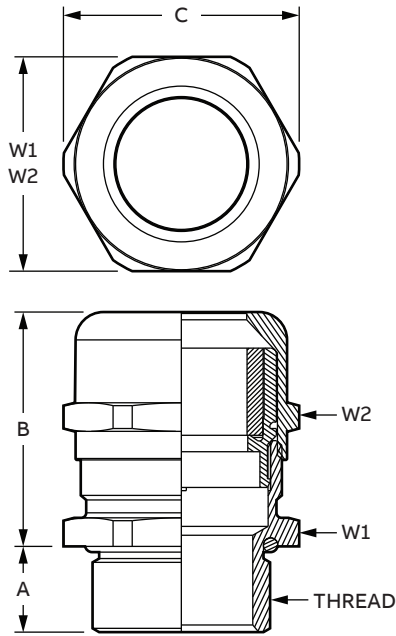


Stainless Steel Cable Gland 6-12mm  
M20X1.5 (12mmTL)

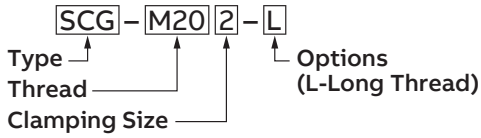
Product selection								
Part no:	Thread (metric)	Cable range			Nominal dimensions			
		Min	Max	A	B	C	W1	W2
SCG-M121	M12x1.5	<b>2.0</b>	<b>5.0</b>	<b>6.0</b>	<b>22.0</b>	<b>15.5</b>	<b>14.0</b>	<b>14.0</b>
		(0.079)	(0.197)	(0.236)	(0.866)	(0.61)	(0.551)	(0.551)
SCG-M122 (cURus)	M12x1.5	<b>3.0</b>	<b>6.5</b>	<b>6.0</b>	<b>22.0</b>	<b>15.5</b>	<b>14.0</b>	<b>14.0</b>
		(0.118)	(0.256)	(0.236)	(0.866)	(0.61)	(0.551)	(0.551)
SCG-M121-L	M12x1.5	<b>3.0</b>	<b>6.5</b>	<b>12.0</b>	<b>22.0</b>	<b>15.5</b>	<b>14.0</b>	<b>14.0</b>
		(0.118)	(0.256)	(0.472)	(0.866)	(0.61)	(0.551)	(0.551)
SCG-M161	M16x1.5	<b>2.0</b>	<b>6.0</b>	<b>7.0</b>	<b>23.0</b>	<b>20.8</b>	<b>19.0</b>	<b>17.0</b>
		(0.079)	(0.236)	(0.276)	(0.906)	(0.819)	(0.748)	(0.669)
SCG-M161-L	M16x1.5	<b>2.0</b>	<b>6.0</b>	<b>12.0</b>	<b>23.0</b>	<b>20.8</b>	<b>19.0</b>	<b>17.0</b>
		(0.079)	(0.236)	(0.472)	(0.906)	(0.819)	(0.748)	(0.669)
SCG-M162 (cURus)	M16x1.5	<b>4.0</b>	<b>8.0</b>	<b>7.0</b>	<b>23.0</b>	<b>20.8</b>	<b>19.0</b>	<b>17.0</b>
		(0.157)	(0.315)	(0.276)	(0.906)	(0.819)	(0.748)	(0.669)
SCG-M162-L	M16x1.5	<b>4.0</b>	<b>8.0</b>	<b>12.0</b>	<b>23.0</b>	<b>20.8</b>	<b>19.0</b>	<b>17.0</b>
		(0.157)	(0.315)	(0.472)	(0.906)	(0.819)	(0.748)	(0.669)
SCG-M163 (cURus)	M16x1.5	<b>5.0</b>	<b>10.0</b>	<b>7.0</b>	<b>28.5</b>	<b>24.5</b>	<b>22.0</b>	<b>22.0</b>
		(0.197)	(0.394)	(0.276)	(1.122)	(0.965)	(0.866)	(0.866)
SCG-M163-L	M16x1.5	<b>5.0</b>	<b>10.0</b>	<b>12.0</b>	<b>28.5</b>	<b>24.5</b>	<b>22.0</b>	<b>22.0</b>
		(0.197)	(0.394)	(0.472)	(1.122)	(0.965)	(0.866)	(0.866)
SCG-M201	M20x1.5	<b>5.0</b>	<b>9.0</b>	<b>8.0</b>	<b>25.5</b>	<b>24.5</b>	<b>22.0</b>	<b>22.0</b>
		(0.197)	(0.354)	(0.315)	(1.004)	(0.965)	(0.866)	(0.866)
SCG-M201-L	M20x1.5	<b>5.0</b>	<b>9.0</b>	<b>12.0</b>	<b>25.5</b>	<b>24.5</b>	<b>22.0</b>	<b>22.0</b>
		(0.197)	(0.354)	(0.472)	(1.004)	(0.965)	(0.866)	(0.866)
SCG-M202 (cULus)	M20x1.5	<b>6.0</b>	<b>12.0</b>	<b>8.0</b>	<b>25.5</b>	<b>24.5</b>	<b>22.0</b>	<b>22.0</b>
		(0.236)	(0.472)	(0.315)	(1.004)	(0.965)	(0.866)	(0.866)
SCG-M202-L	M20x1.5	<b>6.0</b>	<b>12.0</b>	<b>12.0</b>	<b>25.5</b>	<b>24.5</b>	<b>22.0</b>	<b>22.0</b>
		(0.236)	(0.472)	(0.472)	(1.004)	(0.965)	(0.866)	(0.866)
SCG-M203	M20x1.5	<b>10.0</b>	<b>14.0</b>	<b>8.0</b>	<b>27.5</b>	<b>26.8</b>	<b>24.0</b>	<b>24.0</b>
		(0.394)	(0.551)	(0.315)	(1.083)	(1.055)	(0.945)	(0.945)
SCG-M203-L	M20x1.5	<b>10.0</b>	<b>14.0</b>	<b>12.0</b>	<b>27.5</b>	<b>26.8</b>	<b>24.0</b>	<b>24.0</b>
		(0.394)	(0.551)	(0.472)	(1.083)	(1.055)	(0.945)	(0.945)
SCG-M251	M25x1.5	<b>7.0</b>	<b>12.0</b>	<b>8.0</b>	<b>27.5</b>	<b>29.6</b>	<b>27.0</b>	<b>24.0</b>
		(0.276)	(0.472)	(0.315)	(1.083)	(1.165)	(1.063)	(0.945)
SCG-M251-L	M25x1.5	<b>7.0</b>	<b>12.0</b>	<b>12.0</b>	<b>27.5</b>	<b>29.6</b>	<b>27.0</b>	<b>24.0</b>
		(0.276)	(0.472)	(0.472)	(1.083)	(1.165)	(1.063)	(0.945)
SCG-M252	M25x1.5	<b>9.0</b>	<b>16.0</b>	<b>8.0</b>	<b>31.5</b>	<b>33.0</b>	<b>30.0</b>	<b>30.0</b>
		(0.354)	(0.63)	(0.315)	(1.24)	(1.299)	(1.181)	(1.181)
SCG-M252-L	M25x1.5	<b>9.0</b>	<b>16.0</b>	<b>12.0</b>	<b>31.5</b>	<b>33.0</b>	<b>30.0</b>	<b>30.0</b>
		(0.354)	(0.63)	(0.472)	(1.24)	(1.299)	(1.181)	(1.181)
SCG-M253 (cULus)	M25x1.5	<b>10.0</b>	<b>14.0</b>	<b>8.0</b>	<b>27.5</b>	<b>29.6</b>	<b>27.0</b>	<b>24.0</b>
		(0.394)	(0.551)	(0.315)	(1.083)	(1.165)	(1.063)	(0.945)
SCG-M253-L	M25x1.5	<b>10.0</b>	<b>14.0</b>	<b>12.0</b>	<b>27.5</b>	<b>29.6</b>	<b>27.0</b>	<b>24.0</b>
		(0.394)	(0.551)	(0.472)	(1.083)	(1.165)	(1.063)	(0.945)
SCG-M254	M25x1.5	<b>13.0</b>	<b>18.0</b>	<b>8.0</b>	<b>31.5</b>	<b>33.0</b>	<b>30.0</b>	<b>30.0</b>
		(0.512)	(0.709)	(0.315)	(1.24)	(1.299)	(1.181)	(1.181)
SCG-M254-L	M25x1.5	<b>13.0</b>	<b>18.0</b>	<b>12.0</b>	<b>31.5</b>	<b>33.0</b>	<b>30.0</b>	<b>30.0</b>
		(0.512)	(0.709)	(0.472)	(1.24)	(1.299)	(1.181)	(1.181)
SCG-M321	M32x1.5	<b>9.0</b>	<b>16.0</b>	<b>9.0</b>	<b>32.5</b>	<b>38.9</b>	<b>36.0</b>	<b>30.0</b>
		(0.354)	(0.63)	(0.354)	(1.28)	(1.531)	(1.417)	(1.181)

Bold numbers are metric, parenthesis numbers are inches.

Note: Product must be installed in accordance with applicable national and local electrical codes.



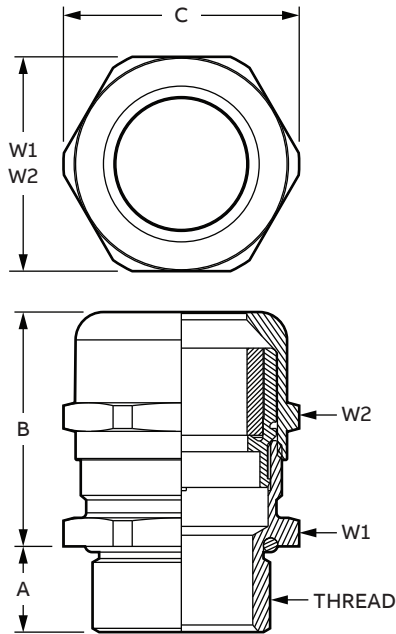
**Part number information:**



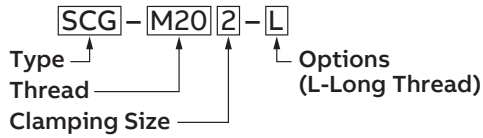
Stainless Steel Cable Gland 6-12mm  
M20X1.5 (12mmTL)

Product selection								
Part no:	Thread (metric)	Cable range			Nominal dimensions			
		Min	Max	A	B	C	W1	W2
SCG-M321-L	M32x1.5	<b>9.0</b>	<b>16.0</b>	<b>15.0</b>	<b>32.5</b>	<b>38.9</b>	<b>36.0</b>	<b>30.0</b>
		(0.354)	(0.63)	(0.591)	(1.28)	(1.531)	(1.417)	(1.181)
SCG-M322	M32x1.5	<b>12.0</b>	<b>20.0</b>	<b>9.0</b>	<b>39.5</b>	<b>45.5</b>	<b>41.0</b>	<b>41.0</b>
		(0.472)	(0.787)	(0.354)	(1.555)	(1.791)	(1.614)	(1.614)
SCG-M322-L	M32x1.5	<b>12.0</b>	<b>20.0</b>	<b>15.0</b>	<b>39.5</b>	<b>45.5</b>	<b>41.0</b>	<b>41.0</b>
		(0.472)	(0.787)	(0.591)	(1.555)	(1.791)	(1.614)	(1.614)
SCG-M323 (cULus)	M32x1.5	<b>13.0</b>	<b>18.0</b>	<b>9.0</b>	<b>32.5</b>	<b>38.9</b>	<b>36.0</b>	<b>30.0</b>
		(0.512)	(0.709)	(0.354)	(1.28)	(1.531)	(1.417)	(1.181)
SCG-M323-L	M32x1.5	<b>13.0</b>	<b>18.0</b>	<b>15.0</b>	<b>32.5</b>	<b>38.9</b>	<b>36.0</b>	<b>30.0</b>
		(0.512)	(0.709)	(0.591)	(1.28)	(1.531)	(1.417)	(1.181)
SCG-M324 (cULus)	M32x1.5	<b>15.0</b>	<b>21.0</b>	<b>8.0</b>	<b>36.0</b>	<b>39.0</b>	<b>36.0</b>	<b>36.0</b>
		(0.591)	(0.827)	(0.315)	(1.417)	(1.535)	(1.417)	(1.417)
SCG-M324-L	M32x1.5	<b>15.0</b>	<b>21.0</b>	<b>15.0</b>	<b>36.0</b>	<b>39.0</b>	<b>36.0</b>	<b>36.0</b>
		(0.591)	(0.827)	(0.591)	(1.417)	(1.535)	(1.417)	(1.417)
SCG-M325	M32x1.5	<b>18.0</b>	<b>25.0</b>	<b>9.0</b>	<b>39.5</b>	<b>45.5</b>	<b>41.0</b>	<b>41.0</b>
		(0.709)	(0.984)	(0.354)	(1.555)	(1.791)	(1.614)	(1.614)
SCG-M325-L	M32x1.5	<b>18.0</b>	<b>25.0</b>	<b>15.0</b>	<b>39.5</b>	<b>45.5</b>	<b>41.0</b>	<b>41.0</b>
		(0.709)	(0.984)	(0.591)	(1.555)	(1.791)	(1.614)	(1.614)
SCG-M401	M40x1.5	<b>12.0</b>	<b>20.0</b>	<b>9.0</b>	<b>40.5</b>	<b>51.4</b>	<b>46.0</b>	<b>41.0</b>
		(0.472)	(0.787)	(0.354)	(1.594)	(2.024)	(1.811)	(1.614)
SCG-M401-L	M40x1.5	<b>12.0</b>	<b>20.0</b>	<b>15.0</b>	<b>40.5</b>	<b>51.4</b>	<b>46.0</b>	<b>41.0</b>
		(0.472)	(0.787)	(0.591)	(1.594)	(2.024)	(1.811)	(1.614)
SCG-M402 (cULus)	M40x1.5	<b>19.0</b>	<b>28.0</b>	<b>9.0</b>	<b>43.5</b>	<b>51.4</b>	<b>46.0</b>	<b>46.0</b>
		(0.748)	(1.102)	(0.354)	(1.713)	(2.024)	(1.811)	(1.811)
SCG-M402-L	M40x1.5	<b>19.0</b>	<b>28.0</b>	<b>15.0</b>	<b>43.5</b>	<b>51.4</b>	<b>46.0</b>	<b>46.0</b>
		(0.748)	(1.102)	(0.591)	(1.713)	(2.024)	(1.811)	(1.811)
SCG-M403 (cULus)	M40x1.5	<b>18.0</b>	<b>25.0</b>	<b>9.0</b>	<b>40.5</b>	<b>51.4</b>	<b>46.0</b>	<b>41.0</b>
		(0.709)	(0.984)	(0.354)	(1.594)	(2.024)	(1.811)	(1.614)
SCG-M403-L	M40x1.5	<b>18.0</b>	<b>25.0</b>	<b>15.0</b>	<b>40.5</b>	<b>51.4</b>	<b>46.0</b>	<b>41.0</b>
		(0.709)	(0.984)	(0.591)	(1.594)	(2.024)	(1.811)	(1.614)
SCG-M404	M40x1.5	<b>22.0</b>	<b>32.0</b>	<b>9.0</b>	<b>47.5</b>	<b>55.5</b>	<b>50.0</b>	<b>50.0</b>
		(0.866)	(1.26)	(0.354)	(1.87)	(2.185)	(1.969)	(1.969)
SCG-M404-L	M40x1.5	<b>22.0</b>	<b>32.0</b>	<b>15.0</b>	<b>47.5</b>	<b>55.5</b>	<b>50.0</b>	<b>50.0</b>
		(0.866)	(1.26)	(0.591)	(1.87)	(2.185)	(1.969)	(1.969)
SCG-M501	M50x1.5	<b>20.0</b>	<b>26.0</b>	<b>9.0</b>	<b>46.0</b>	<b>60.0</b>	<b>55.0</b>	<b>50.0</b>
		(0.787)	(1.024)	(0.354)	(1.811)	(2.362)	(2.165)	(1.969)
SCG-M501-L	M50x1.5	<b>20.0</b>	<b>26.0</b>	<b>15.0</b>	<b>46.0</b>	<b>60.0</b>	<b>55.0</b>	<b>50.0</b>
		(0.787)	(1.024)	(0.591)	(1.811)	(2.362)	(2.165)	(1.969)
SCG-M502 (cULus)	M50x1.5	<b>22.0</b>	<b>32.0</b>	<b>9.0</b>	<b>46.0</b>	<b>60.0</b>	<b>55.0</b>	<b>50.0</b>
		(0.866)	(1.26)	(0.354)	(1.811)	(2.362)	(2.165)	(1.969)
SCG-M502-L	M50x1.5	<b>22.0</b>	<b>32.0</b>	<b>15.0</b>	<b>46.0</b>	<b>60.0</b>	<b>55.0</b>	<b>50.0</b>
		(0.866)	(1.26)	(0.591)	(1.811)	(2.362)	(2.165)	(1.969)
SCG-M503 (cULus)	M50x1.5	<b>27.0</b>	<b>38.0</b>	<b>9.0</b>	<b>51.5</b>	<b>67.2</b>	<b>60.0</b>	<b>60.0</b>
		(1.063)	(1.496)	(0.354)	(2.028)	(2.646)	(2.362)	(2.362)
SCG-M503-L	M50x1.5	<b>27.0</b>	<b>38.0</b>	<b>15.0</b>	<b>51.5</b>	<b>67.2</b>	<b>60.0</b>	<b>60.0</b>
		(1.063)	(1.496)	(0.591)	(2.028)	(2.646)	(2.362)	(2.362)
SCG-M504	M50x1.5	<b>34.0</b>	<b>44.0</b>	<b>9.0</b>	<b>52.0</b>	<b>71.0</b>	<b>65.0</b>	<b>65.0</b>
		(1.339)	(1.732)	(0.354)	(2.047)	(2.795)	(2.559)	(2.559)

Bold numbers are metric, parenthesis numbers are inches.  
Note: Product must be installed in accordance with applicable national and local electrical codes.



### Part number information:



Stainless Steel Cable Gland 6-12mm  
M20X1.5 (12mmTL)

### Product selection

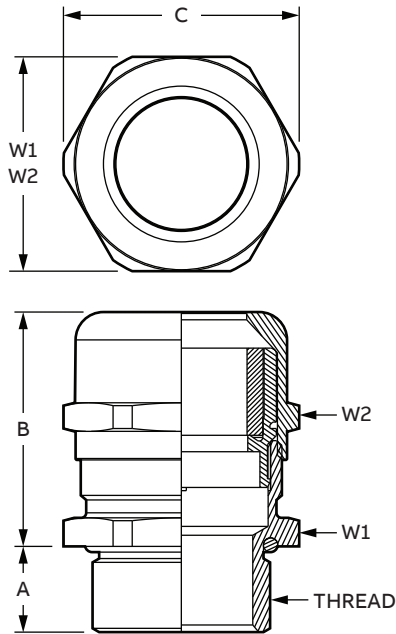
Part no:	Thread (metric)	Cable range		Nominal dimensions					
		Min	Max	A	B	C	W1	W2	
SCG-M504-L	M50x1.5	<b>34.0</b>	<b>44.0</b>	<b>15.0</b>	<b>52.0</b>	<b>71.0</b>	<b>65.0</b>	<b>65.0</b>	(1.339) (1.732) (0.591) (2.047) (2.795) (2.559) (2.559)
SCG-M631	M63x1.5	<b>29.0</b>	<b>35.0</b>	<b>10.0</b>	<b>53.5</b>	<b>77.0</b>	<b>70.0</b>	<b>65.0</b>	(1.142) (1.378) (0.394) (2.106) (3.031) (2.756) (2.559)
SCG-M631-L	M63x1.5	<b>29.0</b>	<b>35.0</b>	<b>18.0</b>	<b>53.5</b>	<b>77.0</b>	<b>70.0</b>	<b>65.0</b>	(1.142) (1.378) (0.709) (2.106) (3.031) (2.756) (2.559)
SCG-M632 (cULus)	M63x1.5	<b>34.0</b>	<b>44.0</b>	<b>10.0</b>	<b>53.5</b>	<b>77.0</b>	<b>70.0</b>	<b>65.0</b>	(1.339) (1.732) (0.394) (2.106) (3.031) (2.756) (2.559)
SCG-M632-L	M63x1.5	<b>34.0</b>	<b>44.0</b>	<b>18.0</b>	<b>53.5</b>	<b>77.0</b>	<b>70.0</b>	<b>65.0</b>	(1.339) (1.732) (0.709) (2.106) (3.031) (2.756) (2.559)
SCG-M633	M63x1.5	<b>37.0</b>	<b>53.0</b>	<b>10.0</b>	<b>51.0</b>	<b>83.0</b>	<b>75.0</b>	<b>75.0</b>	(1.457) (2.087) (0.394) (2.008) (3.268) (2.953) (2.953)
SCG-M633-L	M63x1.5	<b>37.0</b>	<b>53.0</b>	<b>18.0</b>	<b>51.0</b>	<b>83.0</b>	<b>75.0</b>	<b>75.0</b>	(1.457) (2.087) (0.709) (2.008) (3.268) (2.953) (2.953)

### Product selection

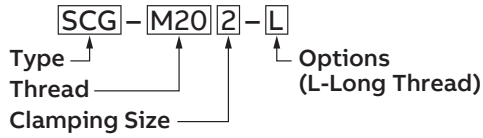
Part no:	Thread (NPT)	Cable range		Nominal dimensions					
		Min	Max	A	B	C	W1	W2	
SCG-0381	3/8"	<b>2.0</b>	<b>6.0</b>	<b>11.5</b>	<b>23.0</b>	<b>21.0</b>	<b>19.0</b>	<b>17.0</b>	(0.079) (0.236) (0.453) (0.906) (0.827) (0.748) (0.669)
SCG-0382	3/8"	<b>5.0</b>	<b>10.0</b>	<b>11.5</b>	<b>29.5</b>	<b>22.0</b>	<b>20.0</b>	<b>20.0</b>	(0.197) (0.394) (0.453) (1.161) (0.866) (0.787) (0.787)
SCG-0501	1/2"	<b>5.0</b>	<b>9.0</b>	<b>13.0</b>	<b>29.0</b>	<b>30.5</b>	<b>27.0</b>	<b>22.0</b>	(0.197) (0.354) (0.512) (1.142) (1.201) (1.063) (0.866)
SCG-0502 (cULus)	1/2"	<b>6.0</b>	<b>12.0</b>	<b>13.0</b>	<b>29.0</b>	<b>30.5</b>	<b>27.0</b>	<b>22.0</b>	(0.236) (0.472) (0.512) (1.142) (1.201) (1.063) (0.866)
SCG-0503	1/2"	<b>10.0</b>	<b>14.0</b>	<b>13.0</b>	<b>27.5</b>	<b>26.5</b>	<b>24.0</b>	<b>24.0</b>	(0.394) (0.551) (0.512) (1.083) (1.043) (0.945) (0.945)
SCG-0751	3/4"	<b>9.0</b>	<b>16.0</b>	<b>13.0</b>	<b>34.0</b>	<b>33.0</b>	<b>30.0</b>	<b>30.0</b>	(0.354) (0.63) (0.512) (1.339) (1.299) (1.181) (1.181)
SCG-0752 (cULus)	3/4"	<b>13.0</b>	<b>18.0</b>	<b>13.0</b>	<b>34.0</b>	<b>33.0</b>	<b>30.0</b>	<b>30.0</b>	(0.512) (0.709) (0.512) (1.339) (1.299) (1.181) (1.181)
SCG-1001	1"	<b>12.0</b>	<b>20.0</b>	<b>13.0</b>	<b>45.5</b>	<b>45.5</b>	<b>41.0</b>	<b>41.0</b>	(0.472) (0.787) (0.512) (1.791) (1.791) (1.614) (1.614)
SCG-1002 (cULus)	1"	<b>18.0</b>	<b>25.0</b>	<b>13.0</b>	<b>45.5</b>	<b>45.5</b>	<b>41.0</b>	<b>41.0</b>	(0.709) (0.984) (0.512) (1.791) (1.791) (1.614) (1.614)
SCG-1251	1-1/4"	<b>22.0</b>	<b>32.0</b>	<b>25.6</b>	<b>51.0</b>	<b>55.5</b>	<b>50.0</b>	<b>50.0</b>	(0.866) (1.260) (1.008) (2.008) (2.185) (1.969) (1.969)
SCG-1501	1-1/2"	<b>30.0</b>	<b>38.0</b>	<b>26.0</b>	<b>50.0</b>	<b>66.5</b>	<b>60.0</b>	<b>60.0</b>	(1.181) (1.496) (1.024) (1.969) (2.618) (2.362) (2.362)
SCG-2001	2"	<b>34.0</b>	<b>44.0</b>	<b>27.0</b>	<b>55.0</b>	<b>72.0</b>	<b>65.0</b>	<b>65.0</b>	(1.339) (1.732) (1.063) (2.165) (2.835) (2.559) (2.559)

Bold numbers are metric, parenthesis numbers are inches.

Note: Product must be installed in accordance with applicable national and local electrical codes.



### Part number information:



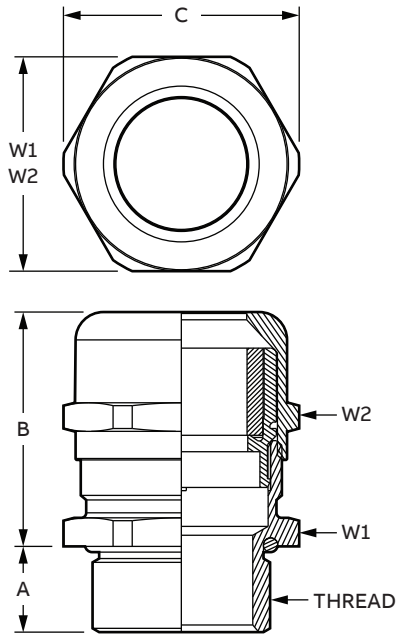
Stainless Steel Cable Gland 6-12mm  
M20X1.5 (12mmTL)

### Product selection

Part no:	Thread (PG)	Cable range			Nominal dimensions			
		Min	Max	A	B	C	W1	W2
SCG-PG71	PG07	<b>2.0</b>	<b>5.0</b>	<b>6.0</b>	<b>22.0</b>	<b>15.5</b>	<b>14.0</b>	<b>14.0</b>
		(0.079)	(0.197)	(0.236)	(0.866)	(0.61)	(0.551)	(0.551)
SCG-PG71-L	PG07	<b>2.0</b>	<b>5.0</b>	<b>10.0</b>	<b>22.0</b>	<b>15.5</b>	<b>14.0</b>	<b>14.0</b>
		(0.079)	(0.197)	(0.394)	(0.866)	(0.61)	(0.551)	(0.551)
SCG-PG72 (cURus)	PG07	<b>3.0</b>	<b>6.5</b>	<b>6.0</b>	<b>22.0</b>	<b>15.5</b>	<b>14.0</b>	<b>14.0</b>
		(0.118)	(0.256)	(0.236)	(0.866)	(0.61)	(0.551)	(0.551)
SCG-PG72-L	PG07	<b>3.0</b>	<b>6.5</b>	<b>10.0</b>	<b>22.0</b>	<b>15.5</b>	<b>14.0</b>	<b>14.0</b>
		(0.118)	(0.256)	(0.394)	(0.866)	(0.61)	(0.551)	(0.551)
SCG-PG91	PG09	<b>2.0</b>	<b>6.0</b>	<b>6.0</b>	<b>23.0</b>	<b>21.0</b>	<b>19.0</b>	<b>17.0</b>
		(0.079)	(0.236)	(0.236)	(0.906)	(0.827)	(0.748)	(0.669)
SCG-PG91-L	PG09	<b>2.0</b>	<b>6.0</b>	<b>10.0</b>	<b>23.0</b>	<b>21.0</b>	<b>19.0</b>	<b>17.0</b>
		(0.079)	(0.236)	(0.394)	(0.906)	(0.827)	(0.748)	(0.669)
SCG-PG92 (cURus)	PG09	<b>4.0</b>	<b>8.0</b>	<b>6.0</b>	<b>23.0</b>	<b>21.0</b>	<b>19.0</b>	<b>17.0</b>
		(0.157)	(0.315)	(0.236)	(0.906)	(0.827)	(0.748)	(0.669)
SCG-PG92-L	PG09	<b>4.0</b>	<b>8.0</b>	<b>10.0</b>	<b>23.0</b>	<b>21.0</b>	<b>19.0</b>	<b>17.0</b>
		(0.157)	(0.315)	(0.394)	(0.906)	(0.827)	(0.748)	(0.669)
SCG-PG111	PG11	<b>3.0</b>	<b>7.0</b>	<b>6.0</b>	<b>25.5</b>	<b>24.0</b>	<b>22.0</b>	<b>22.0</b>
		(0.118)	(0.276)	(0.236)	(1.004)	(0.945)	(0.866)	(0.866)
SCG-PG111-L	PG11	<b>3.0</b>	<b>7.0</b>	<b>10.0</b>	<b>25.5</b>	<b>24.0</b>	<b>22.0</b>	<b>22.0</b>
		(0.118)	(0.276)	(0.394)	(1.004)	(0.945)	(0.866)	(0.866)
SCG-PG112 (cURus)	PG11	<b>5.0</b>	<b>10.0</b>	<b>6.0</b>	<b>25.5</b>	<b>24.0</b>	<b>22.0</b>	<b>22.0</b>
		(0.197)	(0.394)	(0.236)	(1.004)	(0.945)	(0.866)	(0.866)
SCG-PG112-L	PG11	<b>5.0</b>	<b>10.0</b>	<b>10.0</b>	<b>25.5</b>	<b>24.0</b>	<b>22.0</b>	<b>22.0</b>
		(0.197)	(0.394)	(0.394)	(1.004)	(0.945)	(0.866)	(0.866)
SCG-PG131	PG13.5	<b>5.0</b>	<b>9.0</b>	<b>6.5</b>	<b>24.0</b>	<b>24.5</b>	<b>22.0</b>	<b>22.0</b>
		(0.197)	(0.354)	(0.256)	(0.945)	(0.965)	(0.866)	(0.866)
SCG-PG131-L	PG13.5	<b>5.0</b>	<b>9.0</b>	<b>10.0</b>	<b>24.0</b>	<b>24.5</b>	<b>22.0</b>	<b>22.0</b>
		(0.197)	(0.354)	(0.394)	(0.945)	(0.965)	(0.866)	(0.866)
SCG-PG132 (cULus)	PG13.5	<b>6.0</b>	<b>12.0</b>	<b>6.5</b>	<b>24.0</b>	<b>24.5</b>	<b>22.0</b>	<b>22.0</b>
		(0.236)	(0.472)	(0.256)	(0.945)	(0.965)	(0.866)	(0.866)
SCG-PG132-L	PG13.5	<b>6.0</b>	<b>12.0</b>	<b>10.0</b>	<b>24.0</b>	<b>24.5</b>	<b>22.0</b>	<b>22.0</b>
		(0.236)	(0.472)	(0.394)	(0.945)	(0.965)	(0.866)	(0.866)
SCG-PG161	PG16	<b>7.0</b>	<b>12.0</b>	<b>6.5</b>	<b>27.5</b>	<b>26.5</b>	<b>24.0</b>	<b>24.0</b>
		(0.276)	(0.472)	(0.256)	(1.083)	(1.043)	(0.945)	(0.945)
SCG-PG161-L	PG16	<b>7.0</b>	<b>12.0</b>	<b>10.0</b>	<b>27.5</b>	<b>26.5</b>	<b>24.0</b>	<b>24.0</b>
		(0.276)	(0.472)	(0.394)	(1.083)	(1.043)	(0.945)	(0.945)
SCG-PG162 (cULus)	PG16	<b>10.0</b>	<b>14.0</b>	<b>6.5</b>	<b>27.5</b>	<b>26.5</b>	<b>24.0</b>	<b>24.0</b>
		(0.394)	(0.551)	(0.256)	(1.083)	(1.043)	(0.945)	(0.945)
SCG-PG162-L	PG16	<b>10.0</b>	<b>14.0</b>	<b>10.0</b>	<b>27.5</b>	<b>26.5</b>	<b>24.0</b>	<b>24.0</b>
		(0.394)	(0.551)	(0.394)	(1.083)	(1.043)	(0.945)	(0.945)
SCG-PG211	PG21	<b>9.0</b>	<b>16.0</b>	<b>7.2</b>	<b>31.5</b>	<b>33.0</b>	<b>30.0</b>	<b>30.0</b>
		(0.354)	(0.63)	(0.283)	(1.24)	(1.299)	(1.181)	(1.181)
SCG-PG211-L	PG21	<b>9.0</b>	<b>16.0</b>	<b>10.0</b>	<b>31.5</b>	<b>33.0</b>	<b>30.0</b>	<b>30.0</b>
		(0.354)	(0.63)	(0.394)	(1.24)	(1.299)	(1.181)	(1.181)
SCG-PG212 (cULus)	PG21	<b>13.0</b>	<b>18.0</b>	<b>7.2</b>	<b>31.5</b>	<b>33.0</b>	<b>30.0</b>	<b>30.0</b>
		(0.512)	(0.709)	(0.283)	(1.24)	(1.299)	(1.181)	(1.181)
SCG-PG212-L	PG21	<b>13.0</b>	<b>18.0</b>	<b>12.0</b>	<b>31.5</b>	<b>33.0</b>	<b>30.0</b>	<b>30.0</b>
		(0.512)	(0.709)	(0.472)	(1.24)	(1.299)	(1.181)	(1.181)

Bold numbers are metric, parenthesis numbers are inches.

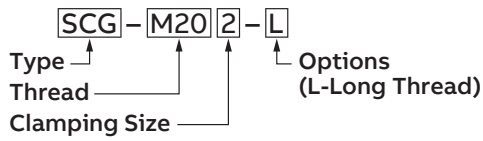
Note: Product must be installed in accordance with applicable national and local electrical codes.



Product selection								
Part no:	Thread (PG)	Cable range			Nominal dimensions			
		Min	Max	A	B	C	W1	W2
SCG-PG291	PG29	<b>12.0</b>	<b>20.0</b>	<b>8.0</b>	<b>40.5</b>	<b>45.5</b>	<b>41.0</b>	<b>41.0</b>
		(0.472)	(0.787)	(0.315)	(1.594)	(1.791)	(1.614)	(1.614)
SCG-PG291-L	PG29	<b>12.0</b>	<b>20.0</b>	<b>12.0</b>	<b>40.5</b>	<b>45.5</b>	<b>41.0</b>	<b>41.0</b>
		(0.472)	(0.787)	(0.472)	(1.594)	(1.791)	(1.614)	(1.614)
SCG-PG292 (cULus)	PG29	<b>18.0</b>	<b>25.0</b>	<b>8.0</b>	<b>40.5</b>	<b>45.5</b>	<b>41.0</b>	<b>41.0</b>
		(0.709)	(0.984)	(0.315)	(1.594)	(1.791)	(1.614)	(1.614)
SCG-PG292-L	PG29	<b>18.0</b>	<b>25.0</b>	<b>12.0</b>	<b>40.5</b>	<b>45.5</b>	<b>41.0</b>	<b>41.0</b>
		(0.709)	(0.984)	(0.472)	(1.594)	(1.791)	(1.614)	(1.614)
SCG-PG361	PG36	<b>20.0</b>	<b>26.0</b>	<b>9.0</b>	<b>47.5</b>	<b>55.5</b>	<b>50.0</b>	<b>50.0</b>
		(0.787)	(1.024)	(0.354)	(1.87)	(2.185)	(1.969)	(1.969)
SCG-PG361-L	PG36	<b>20.0</b>	<b>26.0</b>	<b>14.0</b>	<b>47.5</b>	<b>55.5</b>	<b>50.0</b>	<b>50.0</b>
		(0.787)	(1.024)	(0.551)	(1.87)	(2.185)	(1.969)	(1.969)
SCG-PG362 (cULus)	PG36	<b>22.0</b>	<b>32.0</b>	<b>9.0</b>	<b>47.5</b>	<b>55.5</b>	<b>50.0</b>	<b>50.0</b>
		(0.866)	(1.26)	(0.354)	(1.87)	(2.185)	(1.969)	(1.969)
SCG-PG362-L	PG36	<b>22.0</b>	<b>32.0</b>	<b>14.0</b>	<b>47.5</b>	<b>55.5</b>	<b>50.0</b>	<b>50.0</b>
		(0.866)	(1.26)	(0.551)	(1.87)	(2.185)	(1.969)	(1.969)
SCG-PG421	PG42	<b>25.0</b>	<b>31.0</b>	<b>12.0</b>	<b>48.0</b>	<b>66.5</b>	<b>60.0</b>	<b>60.0</b>
		(0.984)	(1.22)	(0.472)	(1.89)	(2.618)	(2.362)	(2.362)
SCG-PG421-L	PG42	<b>25.0</b>	<b>31.0</b>	<b>16.0</b>	<b>48.0</b>	<b>66.5</b>	<b>60.0</b>	<b>60.0</b>
		(0.984)	(1.22)	(0.63)	(1.89)	(2.618)	(2.362)	(2.362)
SCG-PG422 (cULus)	PG42	<b>30.0</b>	<b>38.0</b>	<b>12.0</b>	<b>48.0</b>	<b>66.5</b>	<b>60.0</b>	<b>60.0</b>
		(1.181)	(1.496)	(0.472)	(1.89)	(2.618)	(2.362)	(2.362)
SCG-PG422-L	PG42	<b>30.0</b>	<b>38.0</b>	<b>16.0</b>	<b>48.0</b>	<b>66.5</b>	<b>60.0</b>	<b>60.0</b>
		(1.181)	(1.496)	(0.63)	(1.89)	(2.618)	(2.362)	(2.362)
SCG-PG481	PG48	<b>29.0</b>	<b>35.0</b>	<b>14.0</b>	<b>49.5</b>	<b>72.0</b>	<b>65.0</b>	<b>65.0</b>
		(1.142)	(1.378)	(0.551)	(1.949)	(2.835)	(2.559)	(2.559)
SCG-PG481-L	PG48	<b>29.0</b>	<b>35.0</b>	<b>18.0</b>	<b>49.5</b>	<b>72.0</b>	<b>65.0</b>	<b>65.0</b>
		(1.142)	(1.378)	(0.709)	(1.949)	(2.835)	(2.559)	(2.559)
SCG-PG482 (cULus)	PG48	<b>34.0</b>	<b>44.0</b>	<b>14.0</b>	<b>49.5</b>	<b>72.0</b>	<b>65.0</b>	<b>65.0</b>
		(1.339)	(1.732)	(0.551)	(1.949)	(2.835)	(2.559)	(2.559)
SCG-PG482-L	PG48	<b>34.0</b>	<b>44.0</b>	<b>18.0</b>	<b>49.5</b>	<b>72.0</b>	<b>65.0</b>	<b>65.0</b>
		(1.339)	(1.732)	(0.709)	(1.949)	(2.835)	(2.559)	(2.559)

Bold numbers are metric, parenthesis numbers are inches.  
 Note: Product must be installed in accordance with applicable national and local electrical codes.

Part number information:



Stainless Steel Cable Gland 6-12mm  
 M20X1.5 (12mmTL)

