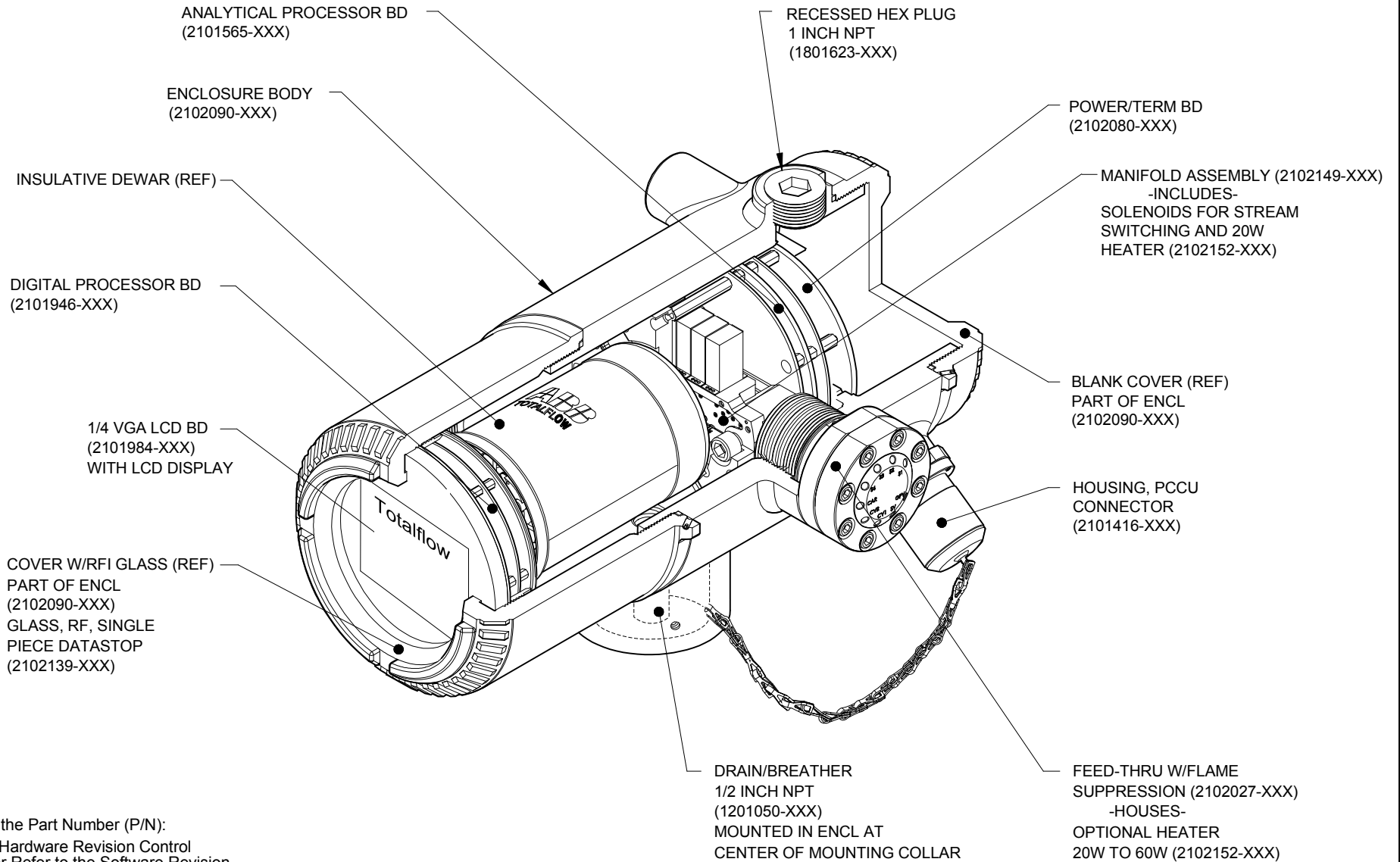


NOTES:

1. Prior to any installation in a classified hazardous location, verify installation methods by the Control Drawing referenced on the product's name tag.



2. For 'XXX' on the Part Number (P/N):
Refer to the Hardware Revision Control Document, or Refer to the Software Revision Control Document.

REF: N/A

ABB	TOTALFLOW Products	ACTION	DOC TYPE	TITLE	DWG NO.	REV	SHEET
		L17695	UD	NGC SUB-ASSEMBLIES	2102390	AA	1 OF 1