

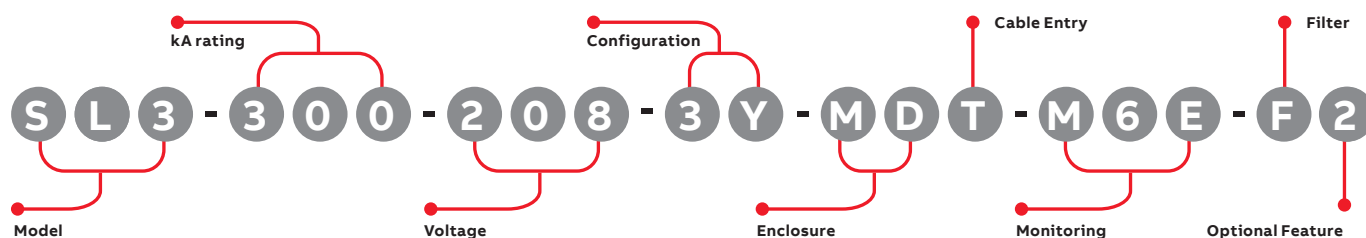
SURGE PROTECTIVE DEVICES

# Select® - SL3™ series | 300 kA

## Current Technology®



Select® SL3™ suppression filter systems feature selenium-enhanced surge protection along with a powerful failure-free ISM™ (Integrated Suppression Module). The ISM™ contains individual thermally fused and protected MOVs, surge-rated copper busing, robust filtering and advanced remote communications capabilities. Additionally, the SL3's selenium-enhanced seamless technology design ensures maximum performance and a dramatically extended product life.



kA Rating	Voltage* (Consult factory for additional Voltages)		Configuration* (Consult factory for additional Configurations)		Enclosure	
050	208	120/208	1G	1 Phase, Grounded	MN	Metal Without Disconnect
080	240	120/240	2G	2 Phase, Grounded, Split Phase	MD	Metal With Disconnect
100	380	220/380	3Y	3 Phase, Grounded Wye	SN	Stainless Steel Without Disconnect
125	480	277/480	3H	3 Phase, Grounded, High Leg Delta	SD	Stainless Steel With Disconnect
150	600	347/600	3D	3 Phase, Grounded Delta		
200						
250						
300						

\* See table at page three for more voltage/configuration

Cable Entry	Monitoring	Filter	Optional Features	Stand-Alone Options (To Be Ordered As Separate Items)
T Top Feed	M0 No local monitoring (see remote MxX stand-alone option)	F Filter	2 Test Port	DTS DTS-2 Diagnostic Test Set
B Bottom Feed	M1 Smart switching tri-color/LED/ Phase, Audible Alarm & Dry Relay Contacts	N No Filter	4 Enhanced Selenium	MxX Remote Monitor Extension M1X through M6EX
	M2 M1 + Surge Counter			HPI HPI Cable
	M3 Advanced Monitoring, Character Display, Modbus RTU			
	M4E M3 + Ethernet, Modbus TCP			
	M5 Advanced Monitoring, Graphics Display, Modbus RTU			
	M6E M5 + Ethernet, Modbus TCP			

### Product Specifications

General Specifications	
Maximum Surge Current Rating	300kA Per Mode, 600kA Per Phase
Nominal Discharge Surge Current	I-n = 20kA
Safety Listings	UL Listed 1449 5th Edition for Type 1 and Type 2 SPD applications, cUL, and UL 1283 / Meets Requirements for UL 96A / Compliant to IEEE C62.41.1-2002, C62.41.2-2002 and C62.45-2002 / NFPA 70 [NEC], Article 285
Protection Method	Thermally protected MOVs, Selenium, Capacitive Filter
Product Design	Individual thermally fused and protected MOVs, Selenium Cells, and All Copper, Tin-plated Bus
Dimensions	32"H x 22"W x 11.95"D
Weight	88 lbs.
Enclosure Type	NEMA 4/12 Standard (NEMA 4X Option)
Installation Location	Outdoor or Indoor
Operating Environment	-25°C to +60°C 5% – 95% Non-Condensing Humidity
Fault Current (SCCR)	200kAIC
Connection Method	Parallel
Protection Modes	All Modes (L-N, L-G, N-G, L-L)
Response Time	< 0.5 Nanoseconds
Operating Frequency	47 – 63 Hz
Warranty	20 Years

### Filtering Attenuation Frequencies (Per Mil-Std-220B January 2000)\*\*

10 KHz	100 KHz	1 MHz	10 MHz	Max at 142 KHz
18.1 dB	44 dB	22.8 dB	15.3 dB	54.6 dB

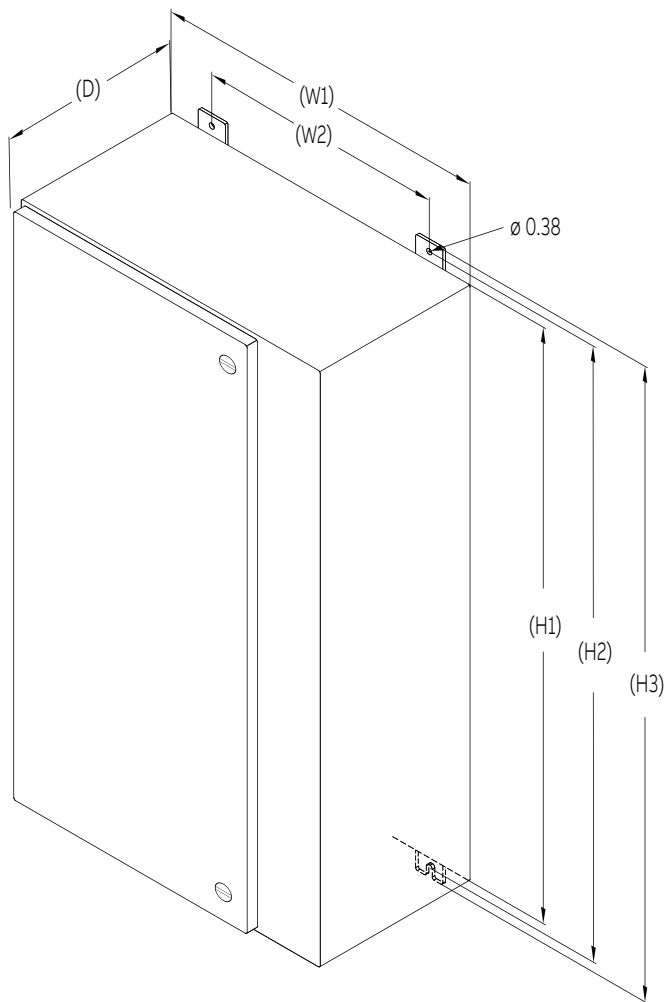
### Single/Repetitive Surge Current Capacities (Tested)\*\*

Protection Mode	Single Pulse Surge Current Capacity/ Mode	Repetitive Surge Current Capacity/ Mode
Line-to-Neutral	300,000A	17,000 Impulses
Line-to-Ground	300,000A	17,000 Impulses
Neutral-to-Ground	300,000A	17,000 Impulses
Line-to-Line	600,000A	34,000 Impulses
Per Phase	600,000A	34,000 Impulses

### Maximum Continuous Operating Voltage (MCOV)

Voltage	L-N MCOV	Voltage	L-L MCOV
120V	150V	240V	300V
277V	320V	480V	552V
347V	420V	600V	690V

\*\* Data based on actual tests. Contact factory for test reports



**Dimensional specifications**

SL3™/300	Inches	(mm)
H1	32.00	(812.8)
H2	33.25	(844.6)
H3	34.50	(876.3)
W1	22.00	(558.8)
W2	16.00	(406.4)
D	11.95	(303.5)

**Voltage/configuration options**

Not all voltage configurations are displayed, contact your local sales representative for additional configurations.

	1-Phase, Grounded	2-Phase, Grounded, Split-Phase	3-Phase, Grounded, Wye	3-Phase, Grounded, High-Leg Delta	3-Phase, Grounded, Delta
	1G	2G	3Y	3H	3D

Voltage Configuration	
120	X
208	X X X
220	X X X
230	X X X
240	X X X X X
380	X X X X
415	X X X X
480	X X X X
600	X X X X

—  
SL3™/300 performance data

System Voltage	120/240V or 120/208V				277/480V				347/600V				240V Delta		480V Delta		600V Delta	
Protection Mode	L-N	L-G	N-G	L-L	L-N	L-G	N-G	L-L	L-N	L-G	N-G	L-L	L-G	L-L	L-G	L-L	L-G	L-L
<b>MCOV</b>	150	150	150	300	320	320	320	552	420	420	420	690	320	300	552	552	690	690
<b>B3 Ring Wave 6kV, 500A</b>	580	700	740	590	560	620	730	660	570	650	730	680	850	590	1530	660	-	-
<b>B3/C1 Combo Wave 6kV, 3kA</b>	596	675	682	964	1020	1066	969	1824	1197	1260	1186	2354	1066	964	1604	1824	1260	2354
<b>C3 Combo Wave 20kV, 10kA</b>	1640	1460	1520	1960	1890	1890	2020	3020	2080	2200	2140	3390	1830	1960	2460	3020	-	-
<b>UL 1449 5th Edition VPR 6kV, 3kA</b>	700	700	700	1000	1200	1200	1000	2000	1200	1500	1200	2500	1200	1500	1800	2000	3000	2500

All SL3™ systems voltage protection ratings (VPR) are peak values (±10%) measured from the 90° reference point and are in compliance with test and evaluation procedures outlined in ANSI/IEEE C62.41

