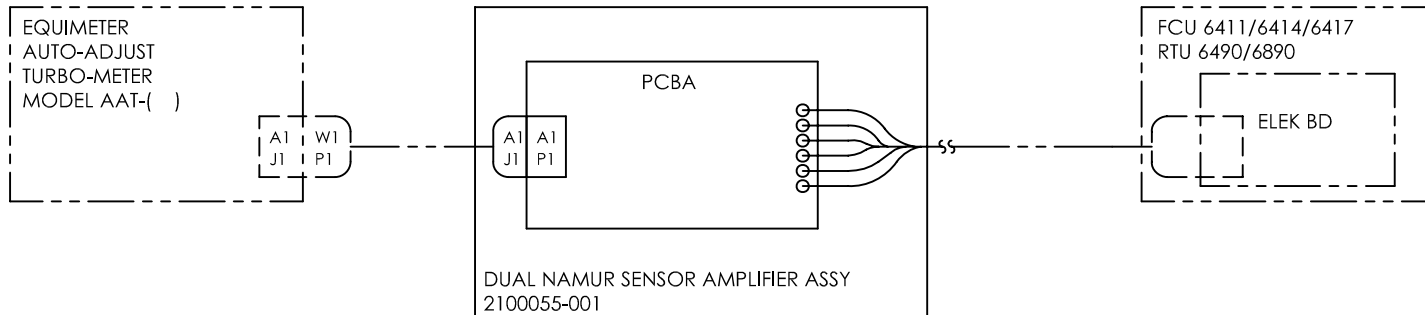


NOTES:

- SEE SH2 FOR EQUIMETER WITH TWO PROXIMITY SENSOR
SEE SH3 FOR EQUIMETER WITH ONE PROXIMITY SENSOR

REVISIONS					
REV	ACTION	DRAWN	CHECKED	APPROVED	DATE
AD	D11772	KASTNER	KASTNER	HOLLAND	01/08/28
AE	D20712	KASTNER	KASTNER	BUSHNELL	07/08/28
AC	D9372	LANGBEIN	LANGBEIN	HOLLAND	00/02/18



ASSEMBLY/QUANTITY	ITEM NO.	PART NUMBER	DESCRIPTION	REF/ZONE	DESIG MATERIAL	UNIT MEAS
DO NOT SCALE DRAWING	UNLESS OTHERWISE SPECIFIED DIMENSIONS ARE IN INCHES		PRODUCT LINE TOTALFLOW®	LEVEL 3	ABB TOTALFLOW Products	
THIRD ANGLE PROJECTION	TOLERANCES ARE: DECIMAL .XX ± -- ANGULAR ± --		DESIGN G. HOLLAND	DATE 99/09/28	TITLE WIRING & INTERCONNECT	
	BREAK ALL SHARP CORNERS AND EDGES DIMENSIONS APPLY BEFORE FINISH		DRAWN TIERNEY	99/09/28	NAMUR SENSOR AMPLIFIER TO FCU / RTU	
			CHECKED TIERNEY	99/09/28	WI	
			APPROVED G. HOLLAND	99/09/28	SCALE NONE	SIZE B
					DRAWING NO. 2100075	REV AE
						SHEET 1 OF 3

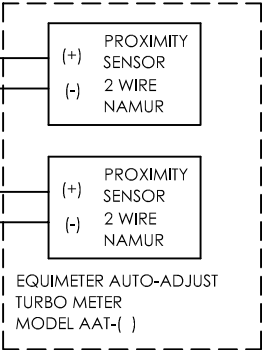
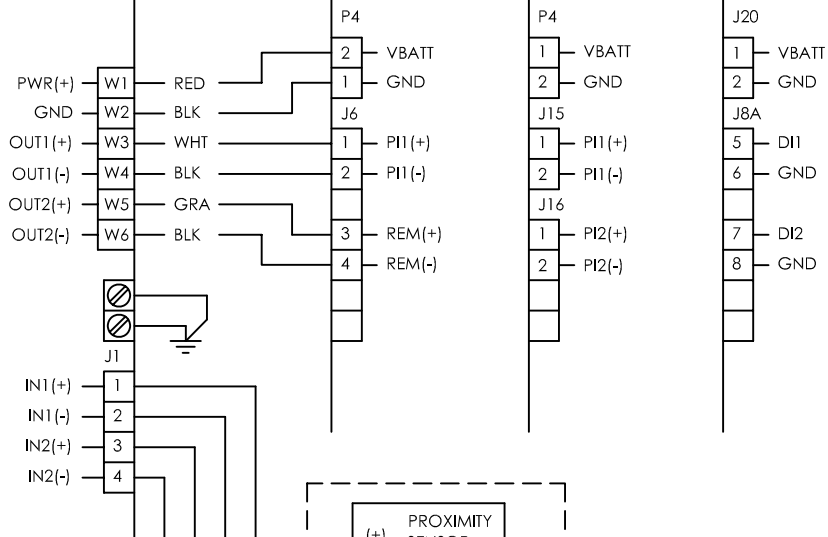
DUAL NAMUR
SENSOR
AMPLIFIER PCBA
2100053-001

MODEL
ELEK PCBA
TERM PCBA

6411/6414
2015333-XXX
2100204-XXX
2102838-XXX
XFC G4

6713/6714
2015382-XXX

6490/6890
2100355-XXX
2103022-XXX
XRC G4



DUAL NAMUR
SENSOR
AMPLIFIER PCBA
2100053-001

MODEL
ELEK PCBA
TERM PCBA

6411/6414
2015333-XXX
2100204-XXX
2102838-XXX
XFC G4

6713/6714
2015382-XXX

6713/6714
2015382-XXX

6490/6890
2100355-XXX
2103022-XXX
XRC G4

