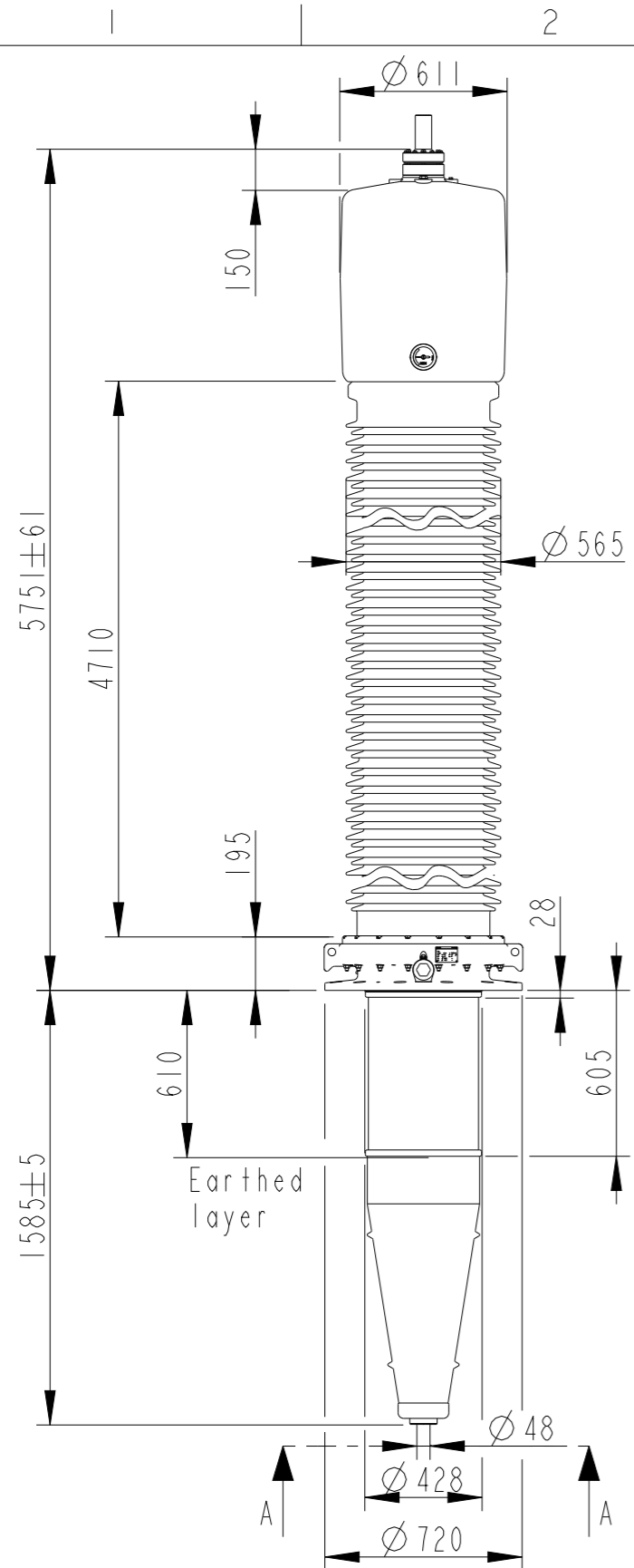


This document is issued by means of a computerized system. The digitally stored original is electronically approved. The approved document has a date entered in the "Approved"-field. A manual signature is not required.

The information contained in this document has to be kept strictly confidential. Any unauthorized use, reproduction, distribution or disclosure to third parties are strictly forbidden. ABB reserves all rights regarding Intellectual Property Rights. © Copyright 2013 ABB. All rights reserved.



Bushing Data:

Rated Voltage	550	kV
Phase to-earth Voltage	318	kV
Dry Lightning Impulse 1,2/50µs	1550	kV
Wet Switching Impulse	1175	kV
Wet Power frequency AC	N/A	kV
Routine test 1min dry 50Hz	750	kV
Rated Current	2500	A
Creepage Distance	18020	mm
Mass	2030	kg

Ordering Data:

BUSHING		COLOUR AIR INSULATOR		
IZSC902550-AAB		BROWN		
OUTER TERMINAL				
		Max. Rated H2	D2	
		Current (A)	(mm)	
LF170 073-A	Al	2500	125 60	
LF170 073-B	Cu	4000	125 60	
LF170 073-G	Cu/Ag	4000	125 60	
LF170 073-L	Cu/Sn	4000	125 60	
LF170 073-BA	Cu/Ag	3000	125 2"-12UN	
LF170 073-AA	Cu	5000	125 96	
END-SHIELD				
LF170 046-V	EPOXY INSULATED			
LF170 046-VP	INSULATED WITH 3 mm PRESSBOARD			
DRAW ROD SYSTEM				
LF170 059	LOWER DRAW ROD WITH NI=4 OR NI=6			
LF170 057	UPPER DRAW ROD			
INNER TERMINAL				
	D3	D9	Cond.area	Current (A)
	(mm)	(mm)	(mm ²)	IEC IEEE
LF170 056-E	0 *)	45	-	- -
LF170 056-D	40	45	600	1600 1360

*) WITH PILOT HOLE D=5

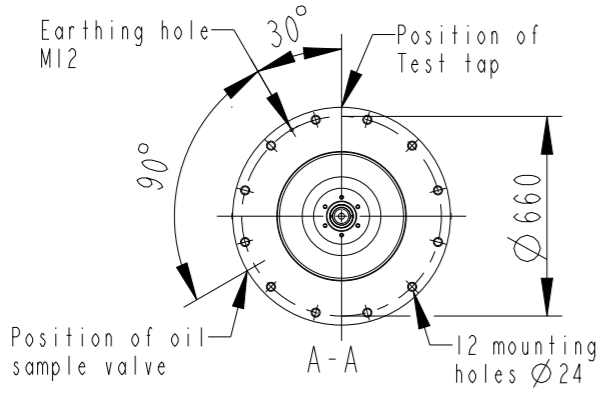
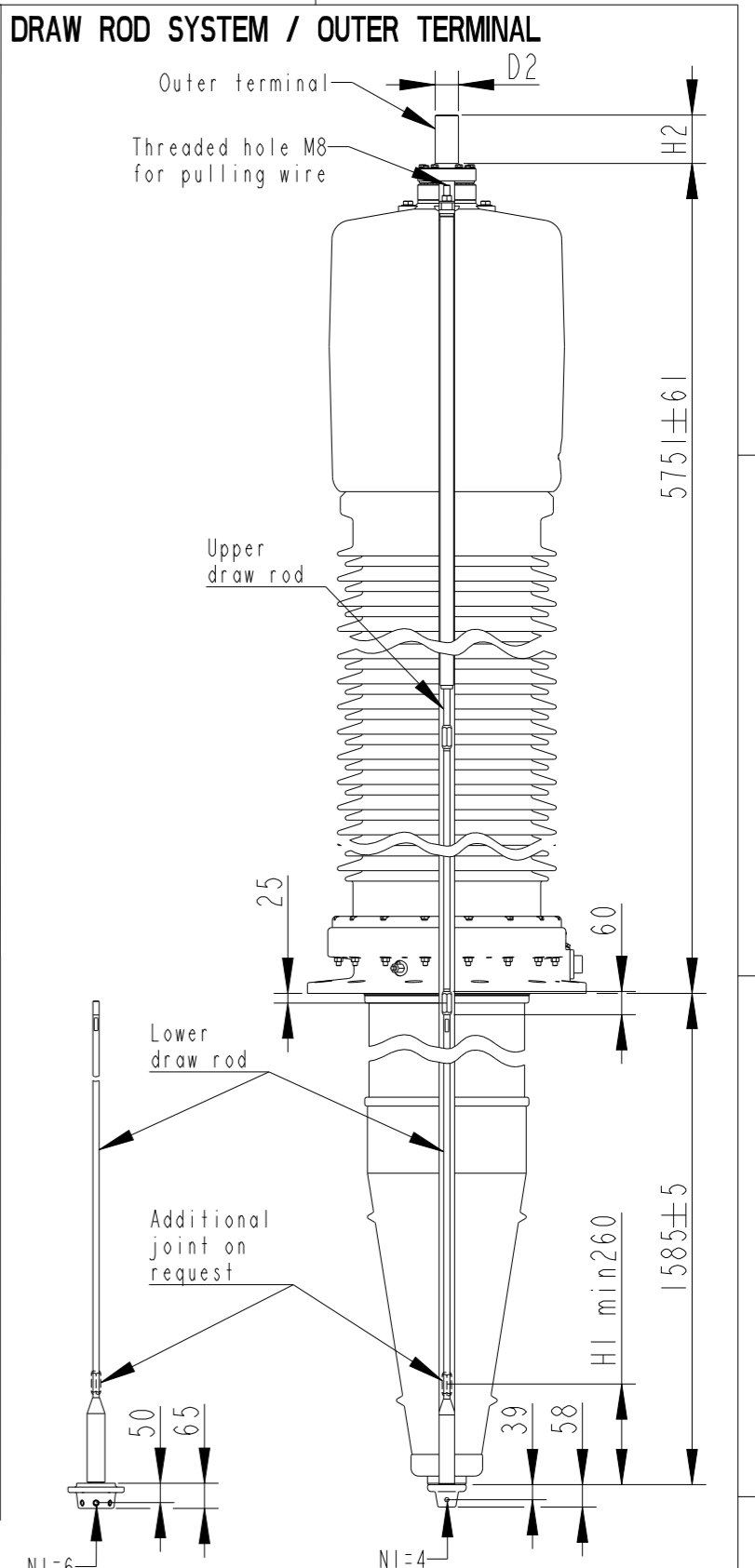
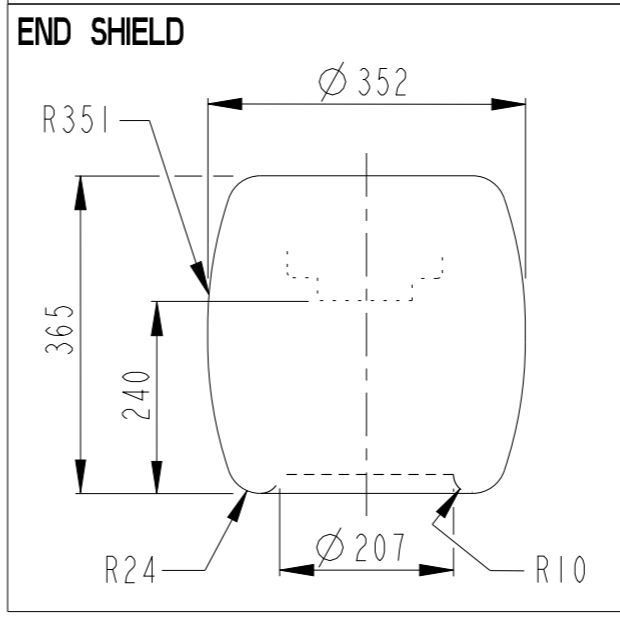
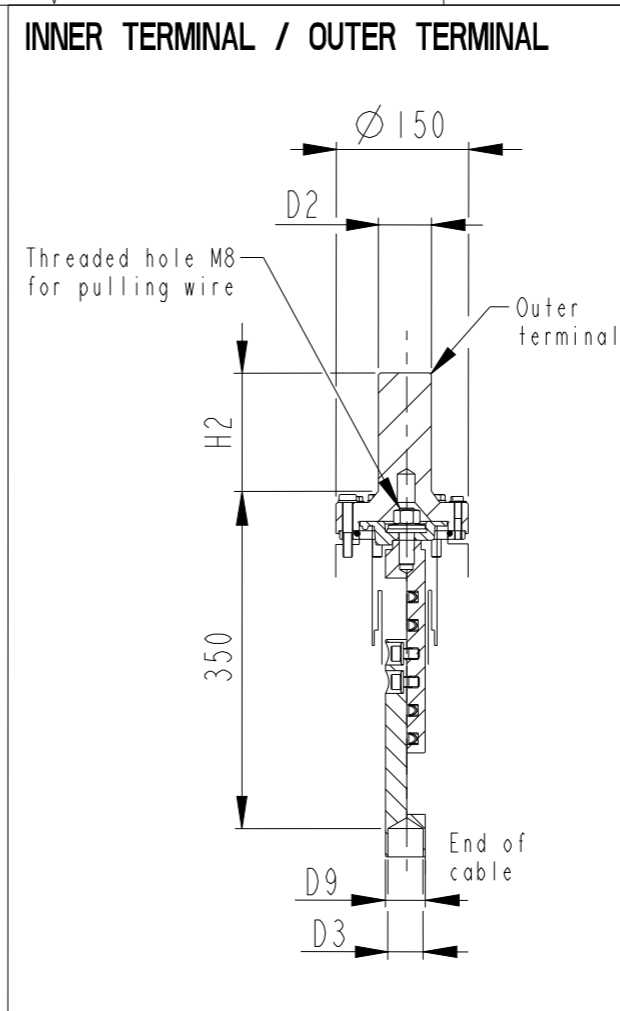


ABB		Ludvika, Sweden	
No.			
Um/Uy	kV Ir	A	50/60 Hz
BL	kV SIL	kV AC	kV
M	kg L	mm	°
C1	pF	Tan δ	x
C2	pF	Tan δ	x

NI=Number of holes M12, equipped with thread insert with screw lock, depth 20, for cable lugs.

Prepared	Kalaivanan R	2017-07-21	Responsible department	PGCO/BK	Title	
Modified by	Kalaivanan R	2017-07-27	Take over department		GOE 1550-1175-2500-0.6	
Approved by	Natalia Gutman	2017-07-27	Used in product		GOE 1550-1175-2500-0.6	Language 82
Revision	G	Drawing display updated	Order			Sheet no.
Document no.					2751369-322	No. Shits. (1)

