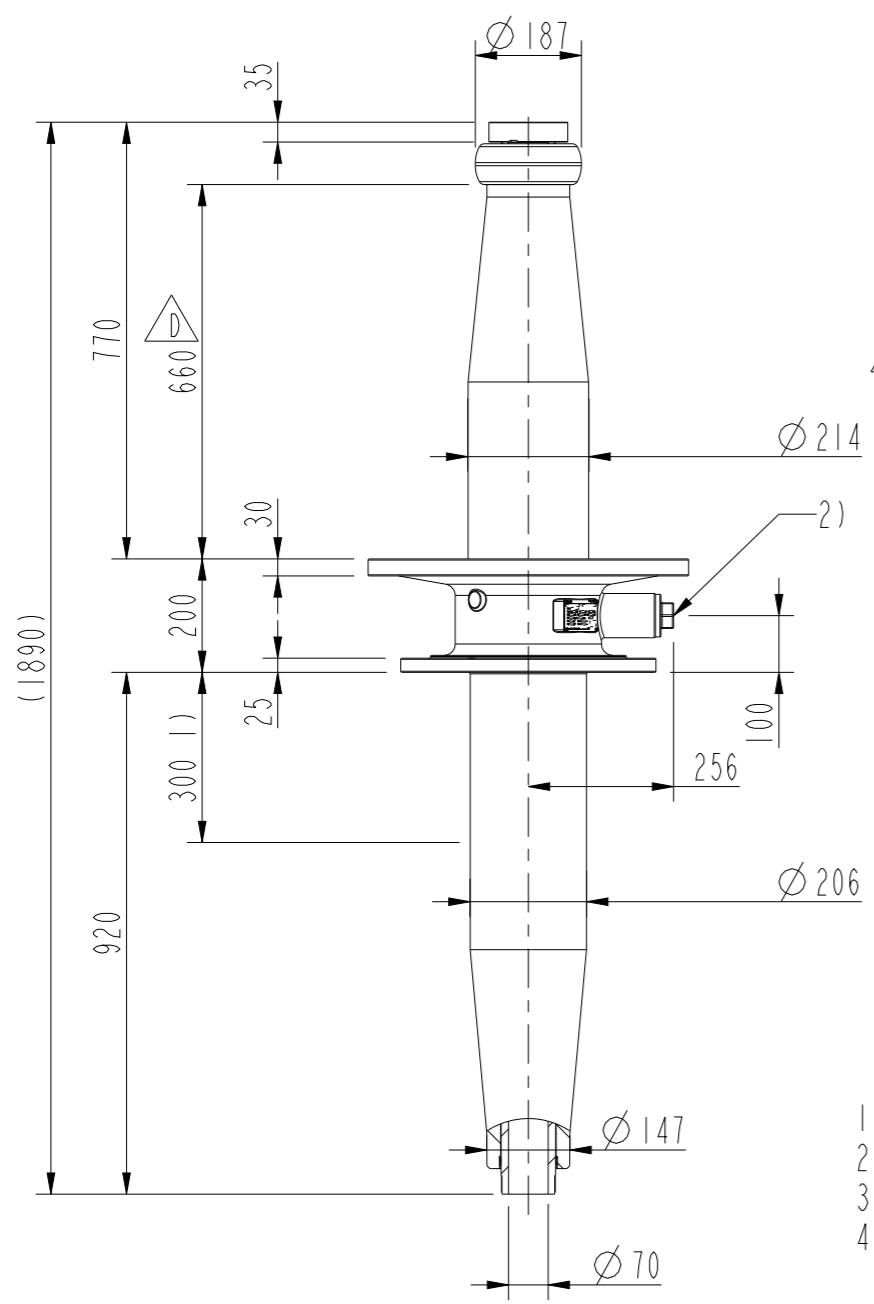


This document is issued by means of a computerized system. The digitally stored original is electronically approved. The approved document has a date entered in the "Approved"-field. A manual signature is not required.

The information contained in this document has to be kept strictly confidential. Any unauthorized use, reproduction, distribution or disclosure to third parties are strictly forbidden. ABB reserves all rights regarding Intellectual Property Rights. © Copyright 2013 ABB. All rights reserved.

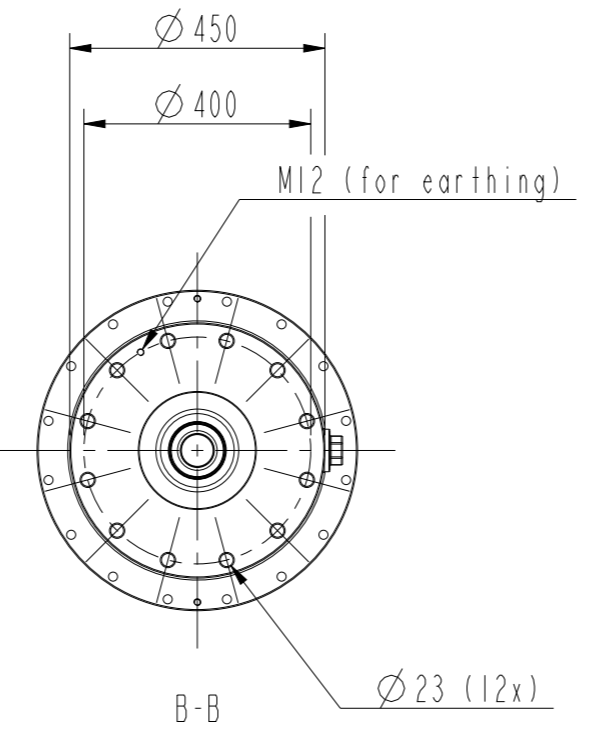
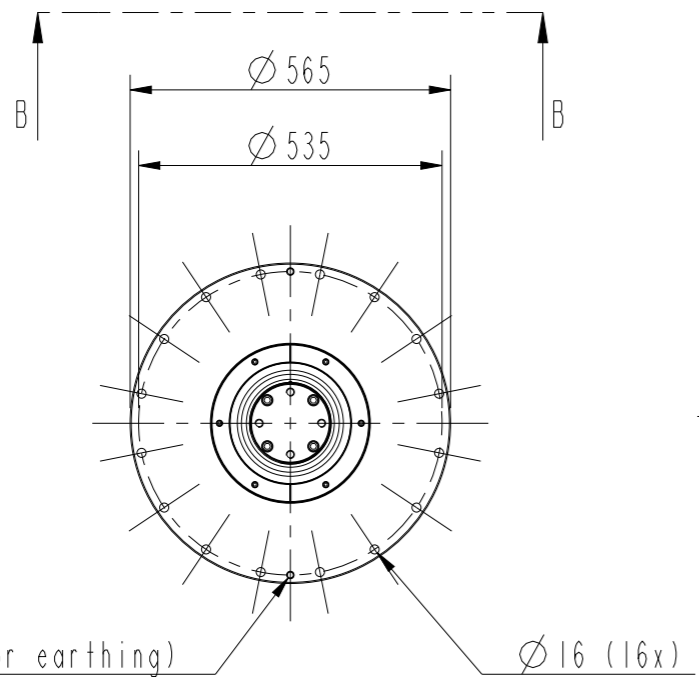
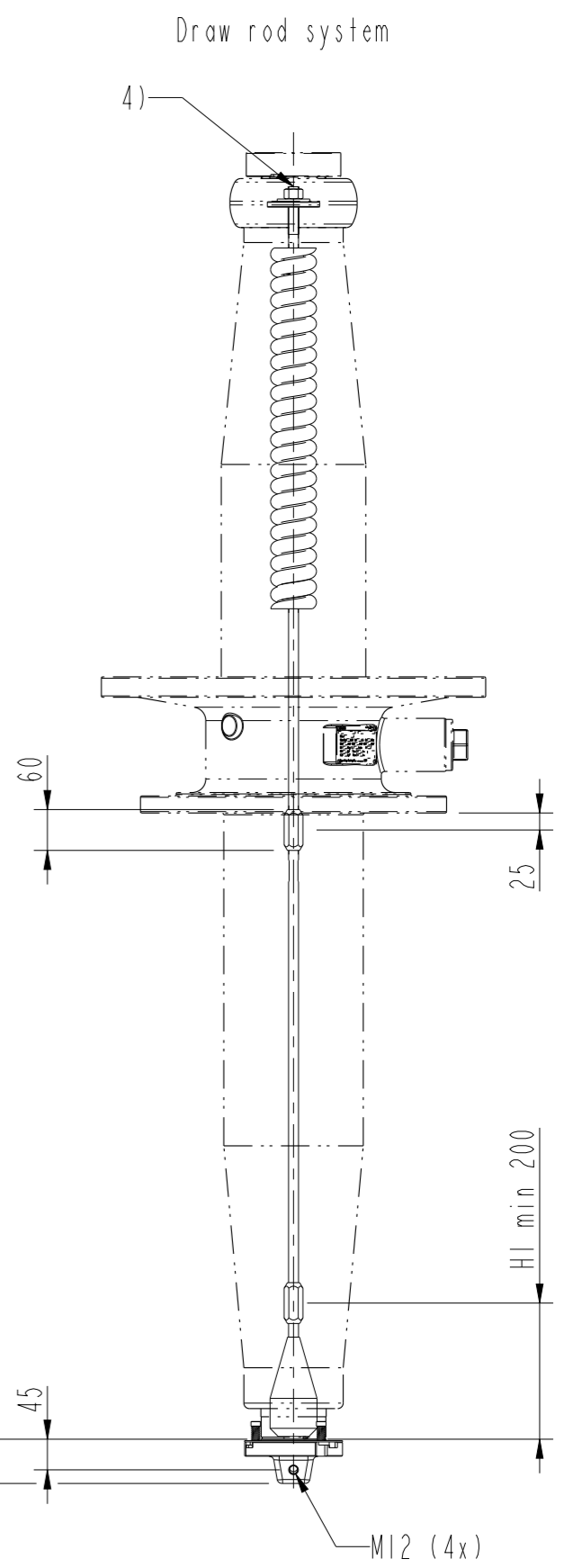
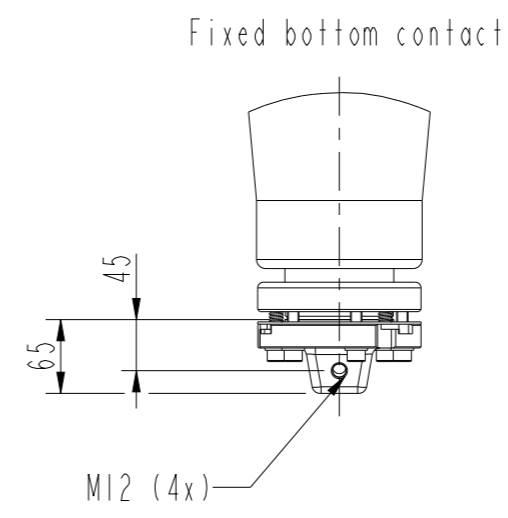
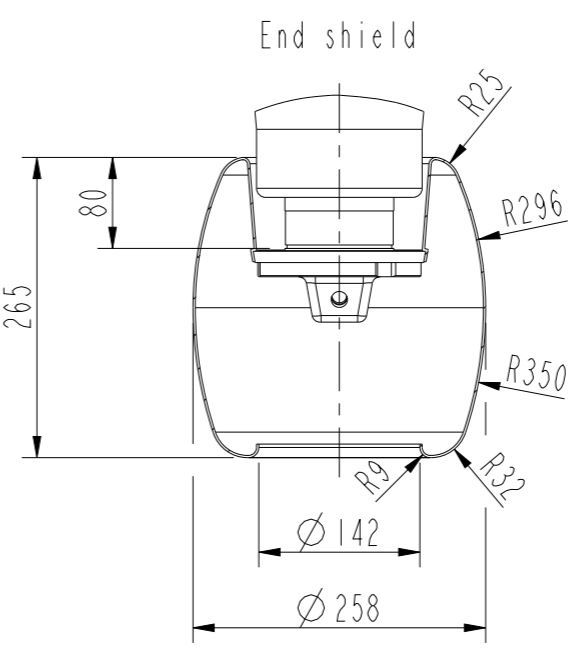
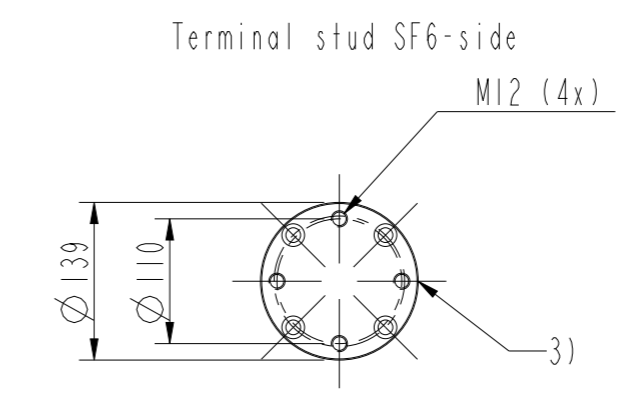


Bushing data:	
Rated voltage	245 kV
Phase-to-earth voltage	141 kV
Lightning impulse	1050 kV
Switching impulse	850 kV
Routine test, 1 min 50 Hz	506 kV
Rated current	1600/2500 A
Mass	110/148 kg

Ordering data:			
Bushing		Conductor tube	Rated current
IZSC900245-AAA	Test tap	Al	1600 A
IZSC900245-ABA	Voltage tap 6 kV	Al	1600 A
IZSC900245-ACA	Test tap	Cu	2500 A
IZSC900245-ADA	Voltage tap 6 kV	Cu	2500 A

Draw rod system			
IZSC999004			
Fixed bottom contact			
IZSC999002-AAE			
End shield			
IZSC999003-AEA	Epoxy insulated		
IZSC999003-AEB	Pressboard insulated		

- 1) Maximum length of CT.
- 2) Test tap / Voltage tap
- 3) Test tap / Voltage tap position.
- 4) Threaded hole M8 for pulling wire.



Prepared	2016-10-27	Responsible department	PGCO/BK	Title	Bushing GSBK 245/0.3
Modified by	2017-08-16	Take over department			
Approved by	2017-08-16	Used in product		Genomföring GSBK 245/0.3	Language
Revision	D	Mass updated.		Order	82
Document no.				2753016-3	Sheet no.
					No. Shis.
					(1)

