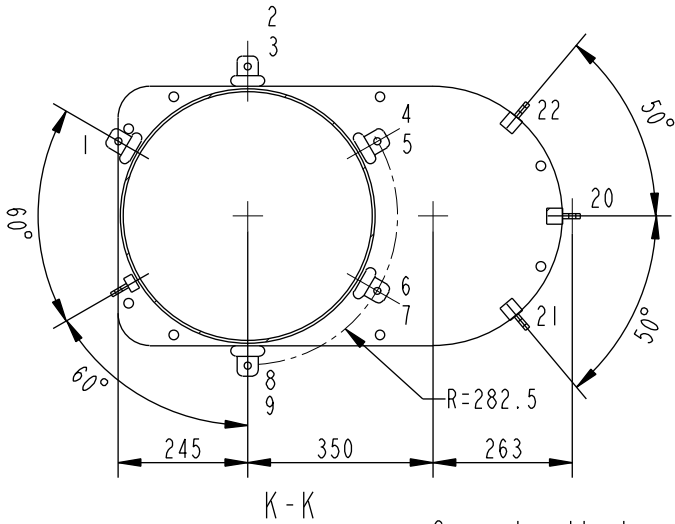
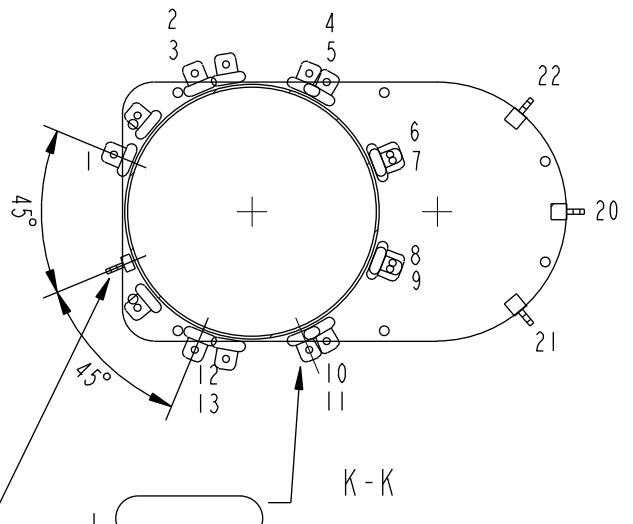


We reserve all rights in this document and in the information contained therein. Reproduction, use or disclosure to third parties without express authority is strictly forbidden. ©ABB

9 POSITIONS

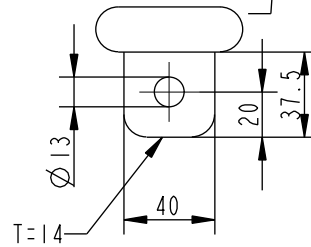
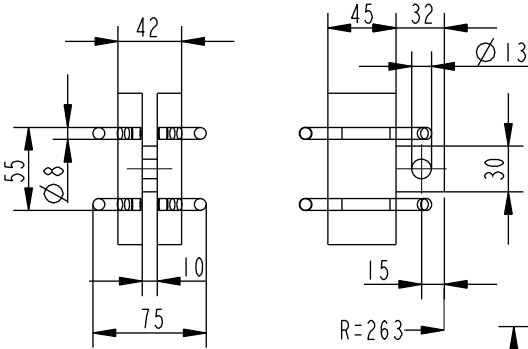


13 POSITIONS

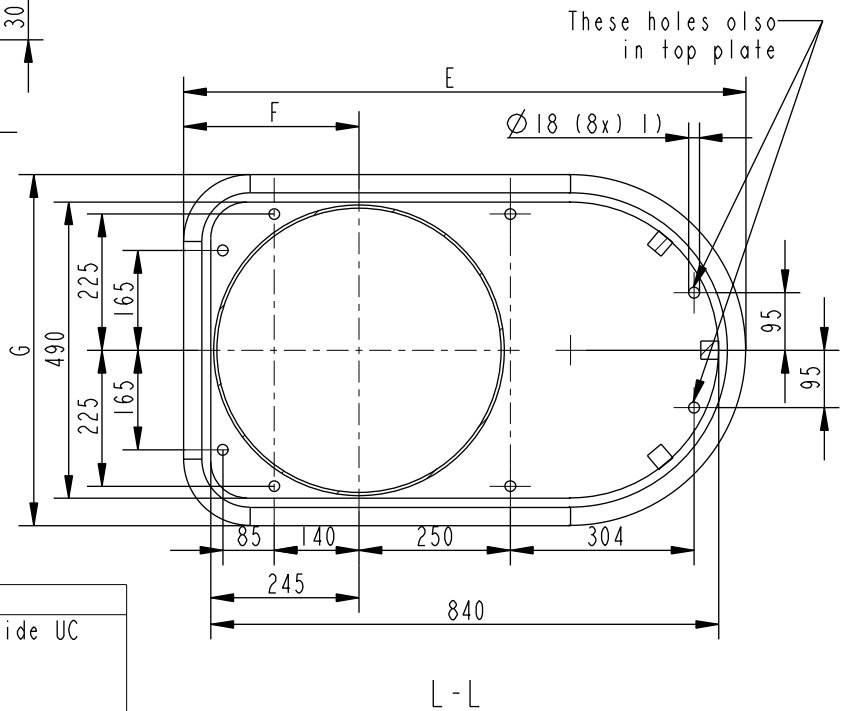


Current collector

Tap selector contact 20,21,22 with shields



Values for dim. E, F and G in table on page 1



1) Holes for mounting of supports for cleats and leads

ADDITIONAL DRAWINGS:

Connection Diagrams: See Technical Guide UC
 Mounting on active part: 54920087-1
 Accessories: 54920087-2
 Motor Drive BUL: 54830001-1
 Motor Drive BUE: 54830001-2 or -3
 External Drive Shaft: 54920083-4
 Pressure Relay: 54920083-2
 Bevel Gear: 54920083-1

Inspection engineering review	Production engineering review	Based on	Reg. No.	Title TAP-CHANGER UCDR AND UCDD UCD.E XXXX/1000/III		
Design engineering review	Prepared T Sapila 96-08-23	Responsible department COM/TK	Take over department			Language en
Approved M Eriksson	Revision Rev.3 06-10-05	Database DIMENSION_DWGS	Document No. 54920091-7			Page 2(2)
ABB		ABB Components				