

TECHNICAL DATA SHEET - INTERACTIVE PDF

# Outlet boxes, PVC Coated

## GUA Series hazardous location outlet boxes

**Ocal**<sup>®</sup>



01

02

03

04

PVC coated GUA series of explosion-proof conduit outlet boxes for use in hazardous and corrosive environments

### Certifications / Standards:



**3-Part Specification: 26 05 33.14**

**End User Tools**

01 GUA Series  
02 GUAB Series  
03 GUAM Series  
04 GUAX Series

### Features:

- Explosion-proof
- Dust-ignition proof
- Raintight / Wet locations rated
- UV resistant gray PVC coating
- Available in multiple hub configurations
- Provides easy access to conductors for maintenance and future system changes
- Nominal 0.002" (2 mil) blue urethane coating on both interior and exterior and nominal 0.040" (40 mil) PVC coating bonded to exterior
- Pressure-sealing sleeves
- Internal grounding screw

### Applications:

- Can be used as a junction in conduit for wire and pulling and splices
- Connects lengths of conduit and maintain ground continuity
- For use in rigid conduit systems located:
  - Indoors or outdoors
  - In wet locations
  - In hazardous locations
  - In areas where corrosion protection is needed

### Compliances and Certifications:

- UL Certified
  - UL1203
  - CSA C22.2 No. 25 & No 30
    - NEC/CEC
      - Class I, Divisions 1 & 2, Groups C, D
      - Class II, Divisions 1 & 2, Groups E, F, G
      - Class III
- NEMA
  - NEMA Ratings: 3 & 4 (with O-ring installed)
  - NEMA Standard RN-1

### Material / Finishes:

- Body: Ductile iron or aluminum / Gray PVC coating
- Cover: Aluminum / Gray PVC coating

**Outlet boxes**  
GUA series

**Product selection - inches**

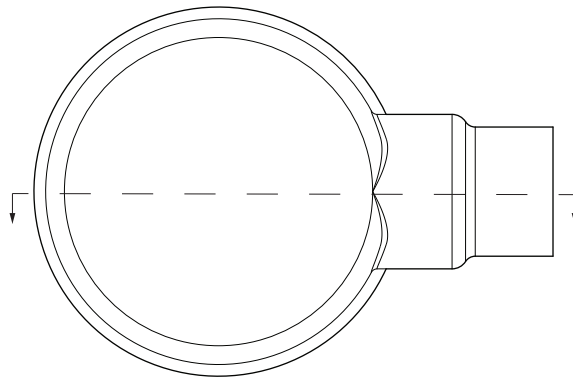
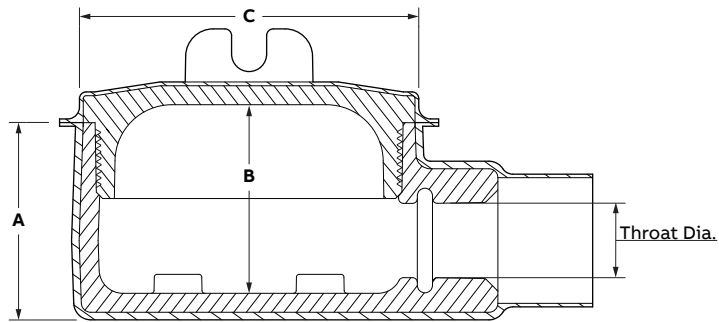
Part no. Iron	Part no. Aluminum	Conduit trade size	Cover opening	A	B	C	Throat dia. Min.	Throat dia. Max.	Volume (in <sup>3</sup> )
GUA14-G	-	½	2.00	1.86	1.68	2.60	0.57	0.61	5.50
GUA16-G	-	½	3.00	2.05	1.99	3.60	0.57	0.61	1.50
GUA24-G	-	¾	2.00	2.05	1.87	2.60	0.76	0.81	5.30
GUA26-G	-	¾	3.00	2.05	1.99	3.60	0.76	0.81	13.30
GUA36-G	-	1	3.00	2.36	2.30	3.60	0.96	1.04	16.20
GUA47-G	-	1 ¼	3.63	2.74	2.73	4.48	1.26	1.36	29.00
GUA59-G	-	1 ½	5.00	3.86	3.80	5.85	1.47	1.59	70.00

Notes: Product must be installed in accordance with applicable national and local electrical codes.

Dimensions shown are nominal and should only be used as a reference

Iron part numbers consist of a PVC coated GUA series iron body and aluminum cover

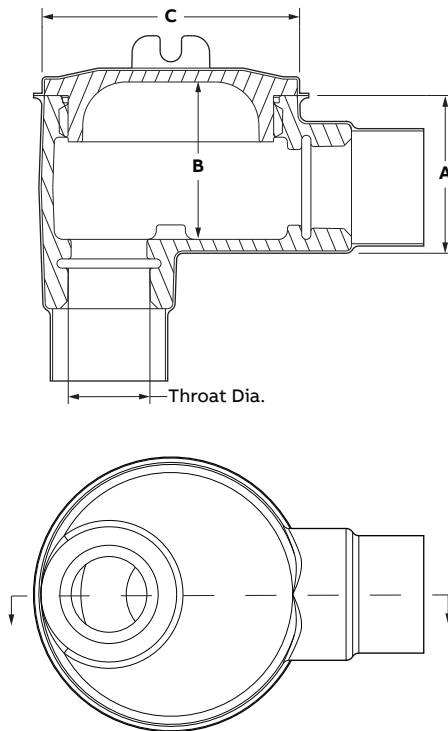
Aluminum part numbers consist of a PVC coated GUA series aluminum body and aluminum cover



**Outlet boxes**  
GUAB series

Product selection - inches									
Part no. Iron	Part no. Aluminum	Conduit trade size	Cover opening	A	B	C	Throat dia. Min.	Throat dia. Max.	Volume (in <sup>3</sup> )
GUAB14-G	GUAB14SA-G	½	2.00	1.86	1.68	2.60	0.57	0.61	5.50
GUAB16-G	-	½	3.00	2.05	1.99	3.60	0.57	0.61	1.50
GUAB24-G	-	¾	2.00	2.05	1.87	2.60	0.76	0.81	5.30
GUAB26-G	GUAB26SA-G	¾	3.00	2.05	1.99	3.60	0.76	0.81	13.30
GUAB36-G	GUAB36SA-G	1	3.00	2.36	2.30	3.60	0.96	1.04	16.20
GUAB47-G	GUAB47SA-G	1 ¼	3.63	2.74	2.73	4.48	1.26	1.36	29.00
GUAB59-G	-	1 ½	5.00	3.86	3.80	5.85	1.47	1.59	70.00
GUAB69-G	GUAB69SA-G	2	5.00	4.11	4.05	5.85	1.88	2.05	80.00

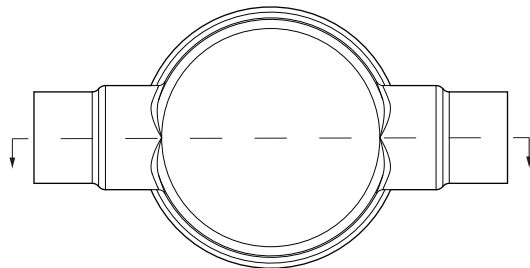
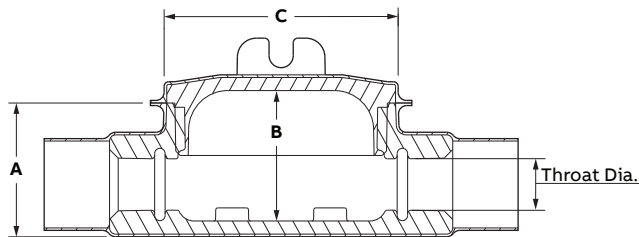
Notes: Product must be installed in accordance with applicable national and local electrical codes.  
Dimensions shown are nominal and should only be used as a reference  
Iron part numbers consist of a PVC coated GUA series iron body and aluminum cover  
Aluminum part numbers consist of a PVC coated GUA series aluminum body and aluminum cover



**Outlet boxes**  
GUAC series

Product selection - inches									
Part no. Iron	Part no. Aluminum	Conduit trade size	Cover opening	A	B	C	Throat dia. Min.	Throat dia. Max.	Volume (in <sup>3</sup> )
GUAC14-G	-	½	2.00	2.30	2.12	2.60	0.57	0.61	7.10
GUAC16-G	GUAC16SA-G	½	3.00	2.05	1.99	3.60	0.57	0.61	13.40
GUAC24-G	GUAC24SA-G	¾	2.00	2.05	1.87	2.60	0.76	0.81	5.30
GUAC26-G	GUAC26SA-G	¾	3.00	2.05	1.99	3.60	0.76	0.81	13.30
GUAC36-G	GUAC36SA-G	1	3.00	2.36	2.30	3.60	0.96	1.04	16.20
GUAC47-G	GUAC47SA-G	1 ¼	3.63	2.74	2.73	4.48	1.26	1.36	30.00
GUAC49-G	-	1 ¼	5.00	3.86	3.90	5.85	1.26	1.36	74.50
GUAC59-G	GUAC59SA-G	1 ½	5.00	3.86	3.80	5.85	1.47	1.59	74.00
GUAC69-G	GUAC69SA-G	2	5.00	4.11	4.05	5.85	1.88	2.05	77.80

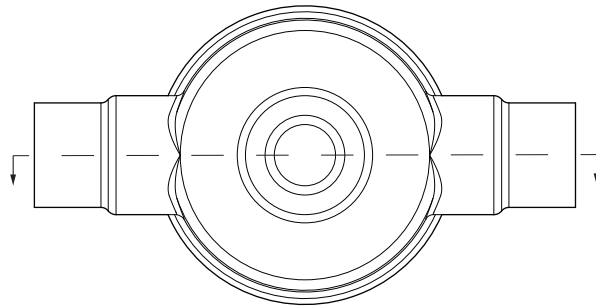
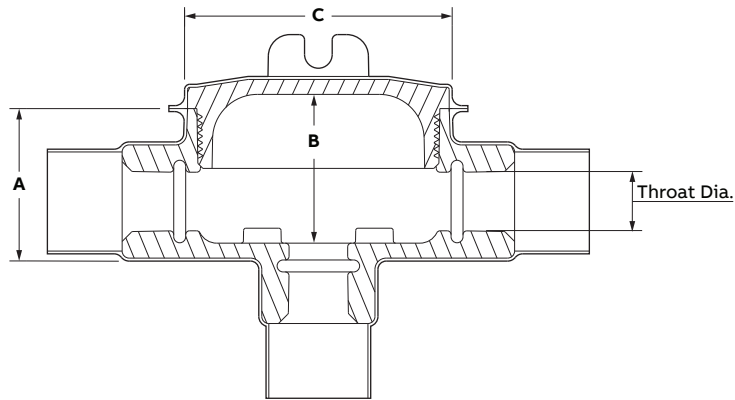
Notes: Product must be installed in accordance with applicable national and local electrical codes.  
Dimensions shown are nominal and should only be used as a reference  
Iron part numbers consist of a PVC coated GUA series iron body and aluminum cover  
Aluminum part numbers consist of a PVC coated GUA series aluminum body and aluminum cover



**Outlet boxes**  
GUAD series

Product selection - inches										
Part no. Iron	Part no. Aluminum	Conduit trade size	Cover opening	A	B	C	Throat dia. Min.	Throat dia. Max.	Volume (in <sup>3</sup> )	
GUAD14-G	-	½	2.00	1.86	1.68	2.60	0.57	0.61	5.60	
GUAD16-G	-	½	3.00	2.05	1.99	3.60	0.57	0.61	12.50	
GUAD24-G	-	¾	2.00	2.05	1.87	2.60	0.76	0.81	5.20	
GUAD26-G	GUAD26SA-G	¾	3.00	2.05	1.99	3.60	0.76	0.81	13.10	
GUAD36-G	GUAD36SA-G	1	3.00	2.36	2.30	3.60	0.96	1.04	16.00	
GUAD49-G	-	1 ¼	5.00	3.86	3.90	5.85	1.26	1.36	76.00	

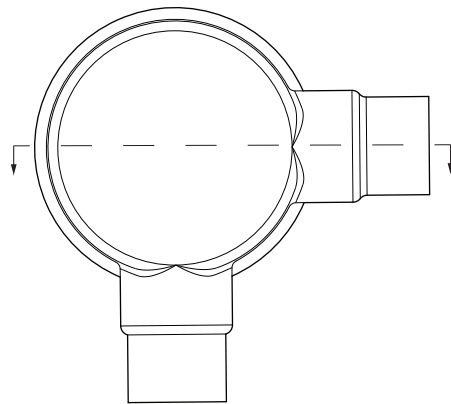
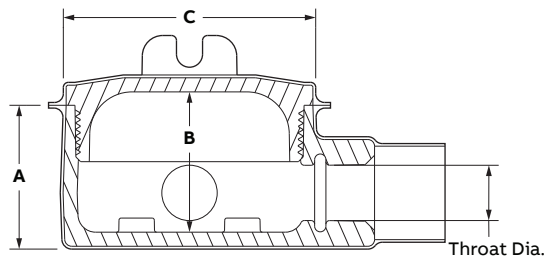
Notes: Product must be installed in accordance with applicable national and local electrical codes.  
Dimensions shown are nominal and should only be used as a reference  
Iron part numbers consist of a PVC coated GUA series iron body and aluminum cover  
Aluminum part numbers consist of a PVC coated GUA series aluminum body and aluminum cover



**Outlet boxes**  
GUAL series

Product selection - inches									
Part no. Iron	Part no. Aluminum	Conduit trade size	Cover opening	A	B	C	Throat dia. Min.	Throat dia. Max.	Volume (in <sup>3</sup> )
GUAL14-G	-	½	2.00	2.30	2.12	2.60	0.57	0.61	6.80
GUAL16-G	GUAL16SA-G	½	3.00	2.05	1.99	3.60	0.57	0.61	13.10
GUAL24-G	GUAL24SA-G	¾	2.00	2.05	1.87	2.60	0.76	0.81	5.30
GUAL26-G	GUAL26SA-G	¾	3.00	2.05	1.99	3.60	0.76	0.81	13.30
GUAL36-G	GUAL36SA-G	1	3.00	2.36	2.30	3.60	0.96	1.04	16.20
GUAL47-G	GUAL47SA-G	1 ¼	3.63	2.74	2.73	4.48	1.26	1.36	29.30
GUAL49-G	-	1 ¼	5.00	3.86	3.90	5.85	1.26	1.36	73.60
GUAL59-G	GUAL59SA-G	1 ½	5.00	3.86	3.80	5.85	1.47	1.59	74.00
GUAL69-G	GUAL69SA-G	2	5.00	4.11	4.05	5.85	1.88	2.05	77.80

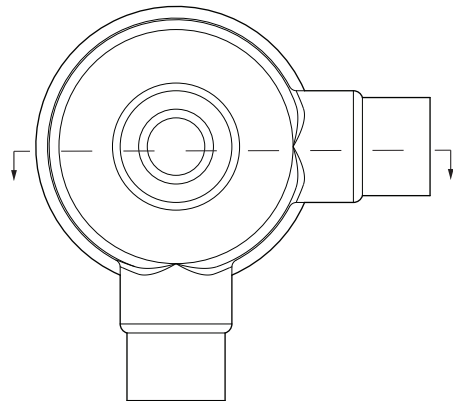
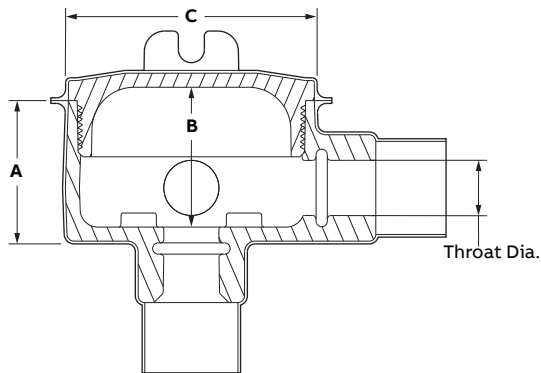
Notes: Product must be installed in accordance with applicable national and local electrical codes.  
Dimensions shown are nominal and should only be used as a reference  
Iron part numbers consist of a PVC coated GUA series iron body and aluminum cover  
Aluminum part numbers consist of a PVC coated GUA series aluminum body and aluminum cover



**Outlet boxes**  
GUAM series

Product selection - inches										
Part no. Iron	Part no. Aluminum	Conduit trade size	Cover opening	A	B	C	Throat dia. Min.	Throat dia. Max.	Volume (in <sup>3</sup> )	
GUAM14-G	-	½	2.00	1.86	1.68	2.60	0.57	0.61	5.60	
GUAM16-G	-	½	3.00	2.05	1.99	3.60	0.57	0.61	12.50	
GUAM24-G	-	¾	2.00	2.05	1.87	2.60	0.76	0.81	6.20	
GUAM26-G	-	¾	3.00	2.05	1.99	3.60	0.76	0.81	12.50	
GUAM36-G	-	1	3.00	2.36	2.30	3.60	0.96	1.04	14.00	
GUAM49-G	-	1 ¼	3.63	2.74	2.73	4.48	1.26	1.36	29.20	
GUAM69-G	-	2	5.00	4.11	4.05	5.85	1.88	2.05	80.00	

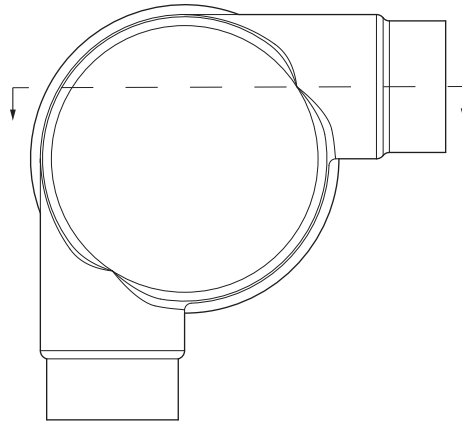
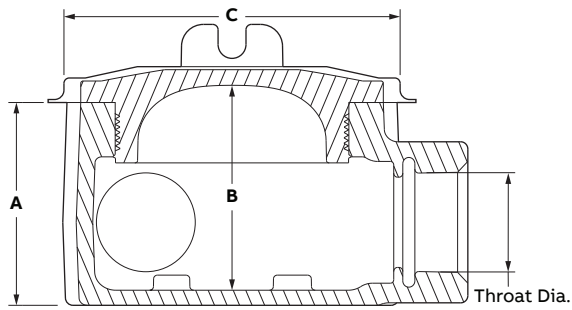
Notes: Product must be installed in accordance with applicable national and local electrical codes.  
Dimensions shown are nominal and should only be used as a reference  
Iron part numbers consist of a PVC coated GUA series iron body and aluminum cover  
Aluminum part numbers consist of a PVC coated GUA series aluminum body and aluminum cover



**Outlet boxes**  
GUAN series

Product selection - inches										
Part no. Iron	Part no. Aluminum	Conduit trade size	Cover opening	A	B	C	Throat dia. Min.	Throat dia. Max.	Volume (in <sup>3</sup> )	
GUAN14-G	-	½	2.00	2.20	2.12	2.60	0.57	0.61	6.80	
GUAN16-G	-	½	3.00	2.05	1.99	3.60	0.57	0.61	13.50	
GUAN24-G	-	¾	2.00	2.36	1.87	2.60	0.76	0.81	7.70	
GUAN26-G	-	¾	3.00	2.05	1.99	3.60	0.76	0.81	14.00	
GUAN36-G	-	1	3.00	2.36	2.30	3.60	0.96	1.04	16.90	
GUAN47-G	-	1 ¼	3.63	2.74	2.73	4.48	1.26	1.36	31.50	
GUAN59-G	-	1 ½	5.00	4.11	3.80	5.85	1.47	1.59	84.00	
GUAN69-G	-	2	5.00	4.11	4.05	5.85	1.88	2.05	84.00	

Notes: Product must be installed in accordance with applicable national and local electrical codes.  
Dimensions shown are nominal and should only be used as a reference  
Iron part numbers consist of a PVC coated GUA series iron body and aluminum cover  
Aluminum part numbers consist of a PVC coated GUA series aluminum body and aluminum cover

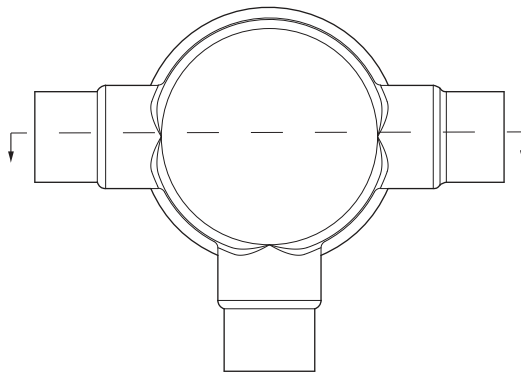
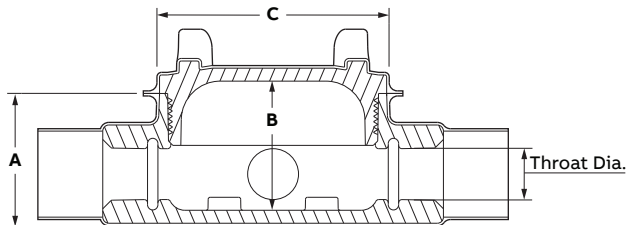




**Outlet boxes**  
GUAT series

Product selection - inches									
Part no. Iron	Part no. Aluminum	Conduit trade size	Cover opening	A	B	C	Throat dia. Min.	Throat dia. Max.	Volume (in <sup>3</sup> )
GUAT14-G	-	½	2.00	2.30	2.12	2.60	0.57	0.61	7.00
GUAT16-G	GUAT16SA-G	½	3.00	2.05	1.99	3.60	0.57	0.61	13.50
GUAT24-G	GUAT24SA-G	¾	2.00	2.05	1.87	2.60	0.76	0.81	5.30
GUAT26-G	GUAT26SA-G	¾	3.00	2.05	1.99	3.60	0.76	0.81	13.30
GUAT36-G	GUAT36SA-G	1	3.00	2.36	2.30	3.60	0.96	1.04	15.90
GUAT37-G	-	1	3.63	2.36	2.35	4.47	0.96	1.04	23.30
GUAT47-G	GUAT47SA-G	1 ¼	3.63	2.74	2.73	4.48	1.26	1.36	29.30
GUAT49-G	GUAT49SA-G	1 ¼	5.00	3.86	3.90	5.85	1.26	1.36	77.20
GUAT59-G	GUAT59SA-G	1 ½	5.00	3.86	3.80	5.85	1.47	1.59	77.70
GUAT69-G	GUAT69SA-G	2	5.00	4.11	4.05	5.85	1.88	2.05	77.80

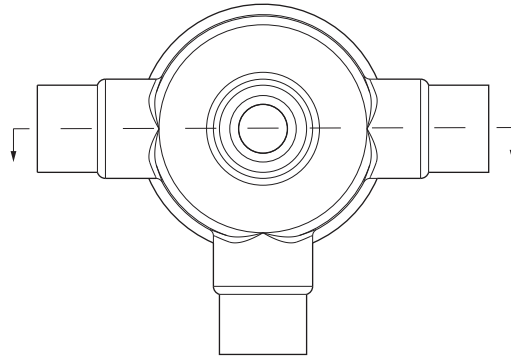
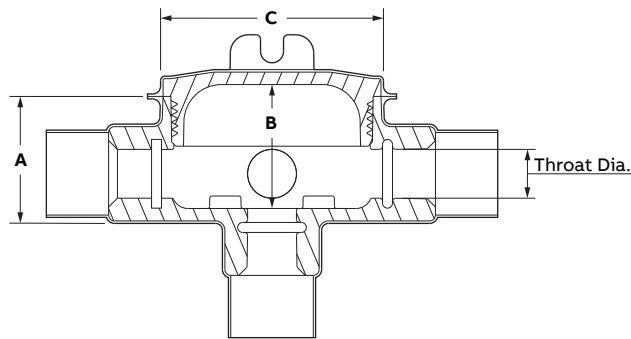
Notes: Product must be installed in accordance with applicable national and local electrical codes.  
Dimensions shown are nominal and should only be used as a reference  
Iron part numbers consist of a PVC coated GUA series iron body and aluminum cover  
Aluminum part numbers consist of a PVC coated GUA series aluminum body and aluminum cover



**Outlet boxes**  
**GUAW-style**

Product selection - inches										
Part no.	Part no.	Conduit	Cover	A	B	C	Throat dia.	Throat dia.	Volume	
Iron	Aluminum	trade size	opening				Min.	Max.	(in <sup>3</sup> )	
GUAW14-G	-	½	2.00	1.86	2.12	2.60	0.57	0.61	5.20	
GUAW16-G	-	½	3.00	2.05	1.99	3.60	0.57	0.61	13.00	
GUAW24-G	-	¾	2.00	2.05	1.87	2.60	0.76	0.81	6.50	
GUAW26-G	GUAW26SA-G	¾	3.00	2.05	1.99	3.60	0.76	0.81	13.00	

Notes: Product must be installed in accordance with applicable national and local electrical codes.  
 Dimensions shown are nominal and should only be used as a reference  
 Iron part numbers consist of a PVC coated GUA series iron body and aluminum cover  
 Aluminum part numbers consist of a PVC coated GUA series aluminum body and aluminum cover



## Outlet boxes

### GUAX-style

#### Product selection - inches

Part no. Iron	Part no. Aluminum	Conduit trade size	Cover opening	A	B	C	Throat dia. Min.	Throat dia. Max.	Volume (in <sup>3</sup> )
GUAX14-G	-	½	2.00	1.86	1.68	2.60	0.57	0.61	5.60
GUAX16-G	-	½	3.00	2.05	1.99	3.60	0.57	0.61	13.50
GUAX24-G	-	¾	2.00	2.05	1.87	2.60	0.76	0.81	5.30
GUAX26-G	GUAX26SA-G	¾	3.00	2.05	1.99	3.60	0.76	0.81	13.30
GUAX36-G	GUAX36SA-G	1	3.00	2.36	2.30	3.60	0.96	1.04	16.00
GUAX37-G	-	1	3.00	2.36	2.30	3.60	0.96	1.04	23.30
GUAX47-G	GUAX47SA-G	1 ¼	3.63	2.74	2.73	4.48	1.26	1.36	30.00
GUAX49-G	-	1 ¼	5.00	3.86	3.90	5.85	1.26	1.36	72.00
GUAX59-G	GUAX59SA-G	1 ½	5.00	3.86	3.80	5.85	1.47	1.59	71.00
GUAX69-G	GUAX69SA-G	2	5.00	4.11	4.05	5.85	1.88	2.05	77.80

Notes: Product must be installed in accordance with applicable national and local electrical codes.  
Dimensions shown are nominal and should only be used as a reference  
Iron part numbers consist of a PVC coated GUA series iron body and aluminum cover  
Aluminum part numbers consist of a PVC coated GUA series aluminum body and aluminum cover

