

## RTL

### Indoor current transformer



The RTL indoor current transformer is used for relaying and metering applications in medium voltage (5 - 15 kV) switchgear.

#### Product features

- 2500 volt test, indoor
- 10 kV BIL
- 50 - 60 Hertz

#### Application

The RTL indoor current transformer is used for relaying and metering applications in medium voltage (5 - 15 kV) switchgear. The RTL-5 is sized for 5 kV switchgear. The RTL-15 and RTL-7 are sized for 15 kV switchgear, with the number "7" indicating a larger 7" window for higher currents. Dual and multi-ratio units are available.

#### Construction features

The ring-type core is insulated and toroidally wound with a fully distributed secondary winding.

#### Secondary terminals

Secondary terminals are electro-tin plated 10-32 tap terminals.

#### Curves

Saturation, overcurrent, ratio correction factor, and phase-angle curves are available upon request.

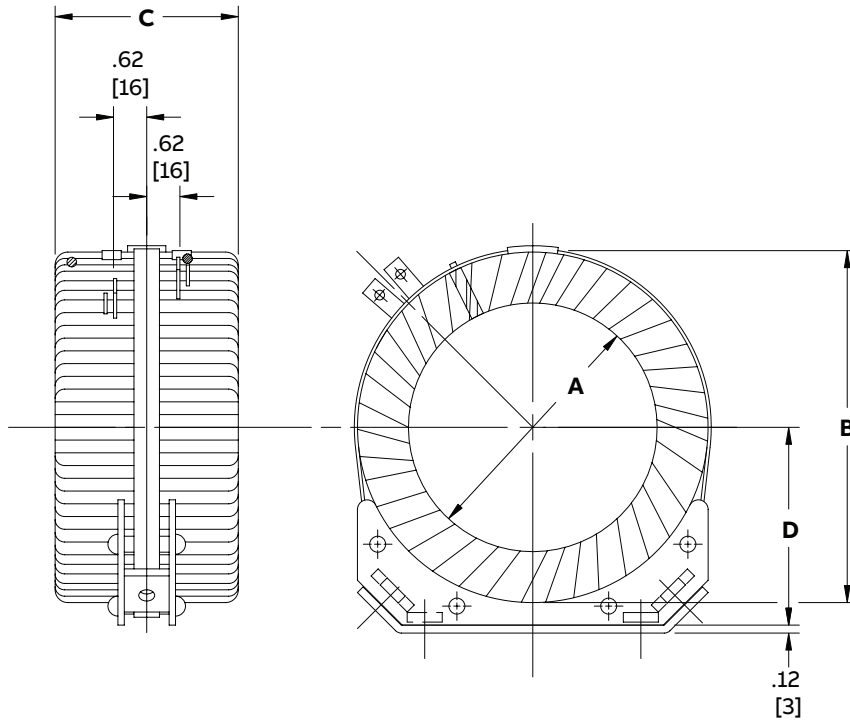
#### Test reports

Test reports are stored electronically and can be e-mailed in various formats at the time of shipment.

#### Standards

This unit meets all applicable IEEE and NEMA standards.

**Dimensions (inches [mm])**



**Dimensions**

Type	A		B		C		D		Ratios normally supplied
	(in)	(mm)	(in)	(mm)	(in)	(mm)	(in)	(mm)	
RTL-5	4.00	102	6.97	177	3.59	91	3.88	99	150:5 through 600:5
RTL-5	4.81	122	6.97	177	3.59	91	3.88	99	800:5 through 1000:5
RTL-5	4.81	122	6.97	177	3.59	91	3.88	99	2000:5
RTL-15	5.75	146	9.59	244	3.47	88	5.50	140	150:5 through 600:5
RTL-15	6.56	167	9.59	244	3.47	88	5.50	140	800:5 through 1500:5
RTL-7	7.00	178	9.59	244	3.47	88	5.50	140	2000:5 and up

**Selection guide**

Primary ampere rating	IEEE metering accuracy @ 60 Hz					Rating factor		Thermal rating*	Mechanical rating*	IEEE relaying accuracy @ 60 Hz	Weight (lbs.)	Style number
	B-0.1	B-0.2	B-0.5	B-0.9	B-1.8	30° C	55° C					
<b>RTL-5</b>												
150	0.6	1.2	2.4	-	-	1.33	1.0	60	180	C20	17	3834A03G01
200	0.6	1.2	2.4	-	-	1.33	1.0	60	180	C20	15	3834A04G01
250	0.6	1.2	2.4	-	-	1.33	1.0	60	180	C20	15	3834A05G01
300	0.6	1.2	2.4	-	-	1.33	1.0	60	180	C20	13	3834A06G01
400	0.3	0.6	1.2	1.2	2.4	1.33	1.0	60	180	C50	17	3834A07G01
500	0.3	0.6	1.2	1.2	2.4	1.33	1.0	60	180	C50	17	3834A08G01
600	0.3	0.3	0.3	1.2	2.4	1.33	1.0	60	180	C50	13	3834A09G01
800	0.3	0.3	0.3	1.2	1.2	1.33	1.0	60	180	C50	13	3834A10G01
1000	0.3	0.3	0.3	0.6	1.2	1.33	1.0	60	180	C50	13	3834A11G01
1200	0.3	0.3	0.3	0.3	0.3	1.33	1.0	60	180	C100	13	3834A19G01
1500	0.3	0.3	0.3	0.3	0.3	1.33	1.0	60	180	C100	13	3834A20G01
2000	0.3	0.3	0.3	0.3	0.3	1.33	1.0	60	180	C100	13	3834A14G01
<b>RCT-15</b>												
150	0.6	1.2	2.4	-	-	1.33	1.0	60	180	C20	26	3834A23G01
200	0.6	1.2	2.4	-	-	1.33	1.0	60	180	C20	22	3834A24G01
250	0.6	1.2	2.4	-	-	1.33	1.0	60	180	C20	17	3834A25G01
300	0.6	1.2	2.4	2.4	2.4	1.33	1.0	60	180	C20	16	3834A26G01
400	0.3	0.6	1.2	1.2	2.4	1.33	1.0	60	180	C50	22	3834A27G01
500	0.3	0.6	1.2	1.2	2.4	1.33	1.0	60	180	C50	20	3834A28G01
600	0.3	0.3	0.3	1.2	2.4	1.33	1.0	60	180	C50	19	3834A29G01
800	0.3	0.3	0.3	0.6	1.2	1.33	1.0	60	180	C50	15	3834A30G01
1000	0.3	0.3	0.3	0.6	1.2	1.33	1.0	60	180	C50	16	3834A31G01
1200	0.3	0.3	0.3	0.3	0.3	1.33	1.0	60	180	C100	18	3834A32G01
1500	0.3	0.3	0.3	0.3	0.3	1.33	1.0	60	180	C100	17	3834A33G01
<b>RTL-7</b>												
2000	0.3	0.3	0.3	0.3	0.3	1.33	1.0	60	180	C100	17	3834A34G01
2500	0.3	0.3	0.3	0.3	0.3	1.33	1.0	60	180	C100	18	3834A35G01
3000	0.3	0.3	0.3	0.3	0.3	1.33	1.0	60	180	C100	17	3834A36G01
4000	0.3	0.3	0.3	0.3	0.3	1.33	1.0	60	180	C100	17	3834A37G01

Note: secondary current is 5 amperes at primary current

\* times rated current, 1 second

+ times rated current

Additional styles available upon request. Contact your ABB sales representative or call +1-252-827-3212 for more information.

**Optional accessories**

Accessory	Style number
Mounting bracket for 5 kV	3470B39G02
Mounting brackets for 15 kV	3470B40G02

---

ABB Inc.  
3022 NC 43 North  
Pinetops, NC 27864  
Phone: +1 252 827 3212

**[abb.com/mediumvoltage](http://abb.com/mediumvoltage)**

---

We reserve the right to make technical changes or modify the contents of this document without prior notice. With regard to purchase orders, the agreed particulars shall prevail. ABB Inc. does not accept any responsibility whatsoever for potential errors or possible lack of information in this document.

We reserve all rights in this document and in the subject matter and illustrations contained therein. Any reproduction, disclosure to third parties or utilization of its contents – in whole or in parts – is forbidden without prior written consent of ABB Inc.  
Copyright© 2019 ABB  
All rights reserved