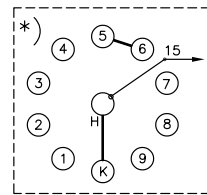
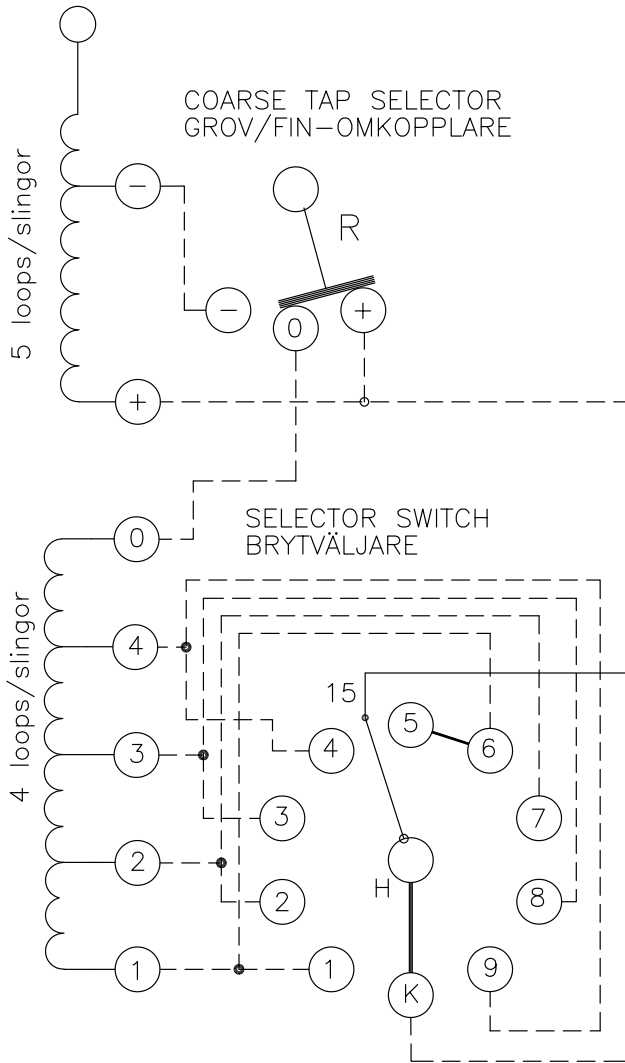


On-load tap-changer type VUBBD, UBBD, 9 tap positions, coarse/fine-switching.
 Max effective No. of turns in pos 1.
 The tap-changer is delivered set in pos 5, the preceding pos. was 4.

Lindningskopplare typ VUBBD, UBBD, 9 lägen, grov/fin-koppling.
 Max antal effektiva varv i läge 1.
 Lindningskopplaren levereras inställd i läge 5, föregående läge var 4.

Pos Läge	R connects förbinder	H connects förbinder
1	↑	6 - 15
2		7 - 15
3	0+ 0+	8 - 15
4	↓	9 - 15
5		K - 15
6	↑	1 - 15
7		2 - 15
8	0- 0-	3 - 15
9	↓	4 - 15



1) OUTPUT TERMINAL
STRÖMAVTAGNING

*) FOR VUBB TYPE OF OLTC
I VUBB UTFÖRANDE

1) Internal connections between the terminals 15 of the three phases are included in the star-point type. Connection between 5, 6 is included. Dashed lines show in delivery not included leads belonging to cleats and leads.

H Main contact
Huvudkontakt

We reserve all rights in this document and in the information contained therein. Reproduction, use or disclosure to third parties without express authority is strictly forbidden.
© ABB '19

Inre förbindningar mellan uttag 15 i de tre faserna ingår i nollpunktsutförande. Förbindning mellan 5, 6 ingår. Streckade linjer visar i leveransen ej ingående ledare tillhörande anslutningsdonet.

Sheet	Cont
	Year Week
Form No.	Dept
	Year Week
Design checked by	Rev Ind
	Revision

2	Output for VUBB type added.	DAAN	20	15
1	VUBBD added.	TL	10	27
Rev Ind	Revision	Appd	Year	Week

Accepted by qual control R.Yngvesson	Accepted for prod by	Description (English) CONNECTION DIAGRAM	DATAORIGINAL
Design checked by B-O.Stenestam	Drawn by L.Bergman	Description (own language) KOPPLINGSSHEMA	File name 0389-2
Drawing checked by M.Hedlund	Issued by Dept Year Week COM/TKO 97 32	5492 0389-2	Lang 1
Asea Brown Boveri			Rev Ind 2