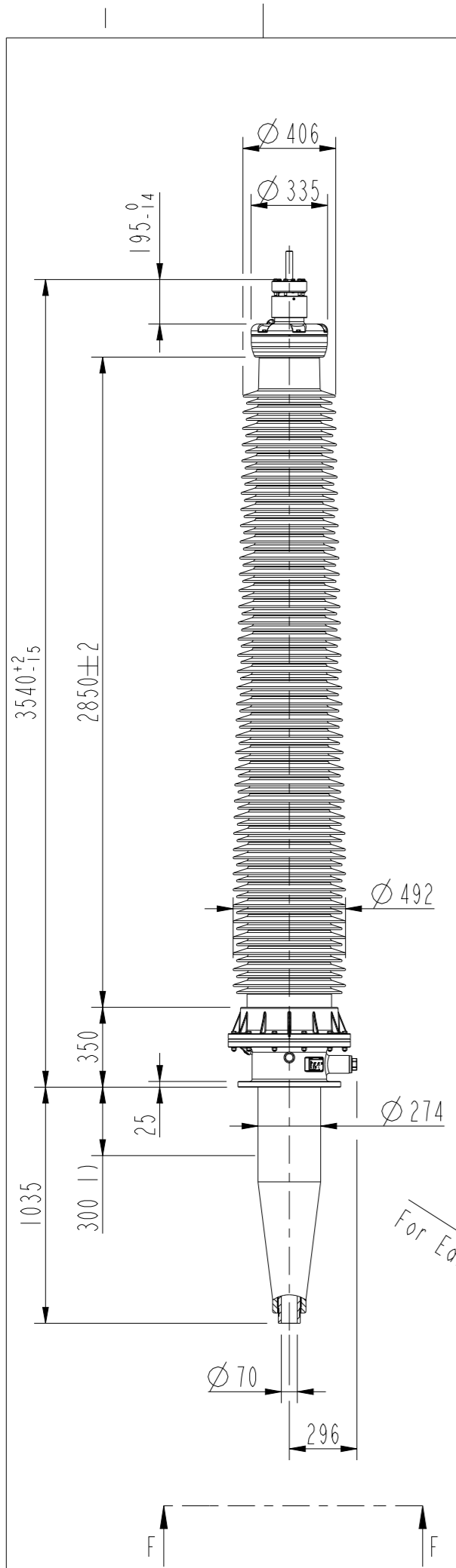


This document is issued by means of a computerized system. The digitally stored original is electronically approved. The approved document has a date entered in the "Approved"-field. A manual signature is not required.

The information contained in this document has to be kept strictly confidential. Any unauthorized use, reproduction, distribution or disclosure to third parties are strictly forbidden. ABB reserves all rights regarding Intellectual Property Rights. © Copyright 2013 ABB. All rights reserved.



Bushing Data:

Rated Voltage	362	kV
Phase-to-earth Voltage	220	kV
Dry Lightning Impulse 1,2/50µs	1175	kV
Wet Switching Impulse	950	kV
Wet Power Frequency AC	n.a.	kV
Routine test Imin dry 50Hz	561	kV
Rated Current	1600	A
Creepage Distance, nominal	10371	mm
Creepage Distance, minimum	9955	mm
Mass, Bushing	730	kg
Mass, incl. protective hood	762	kg

Ordering Data:

BUSHING		AIR INSULATOR COLOUR/TYPE	
IZSC901362	-AAA Test tap	Brown/	Porcelain
IZSC901362	-ABA Voltage tap 6kV	Brown/	Porcelain
IZSC901362	-BAA Test tap	Light grey/	Porcelain
IZSC901362	-BBA Voltage tap 6kV	Light grey/	Porcelain

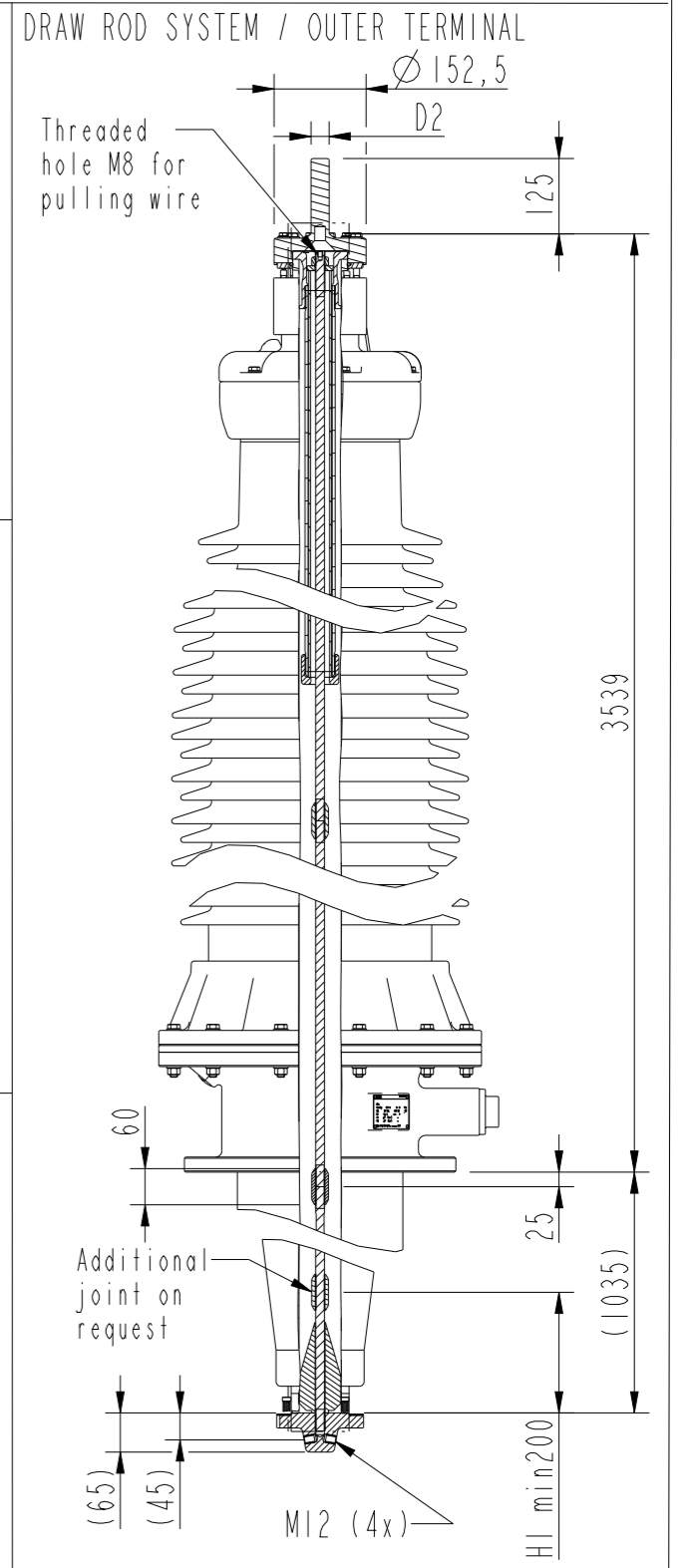
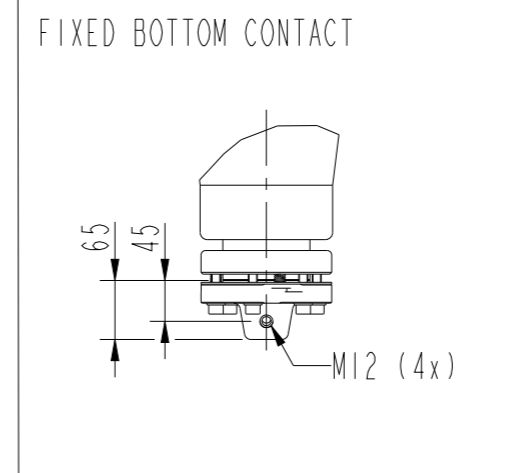
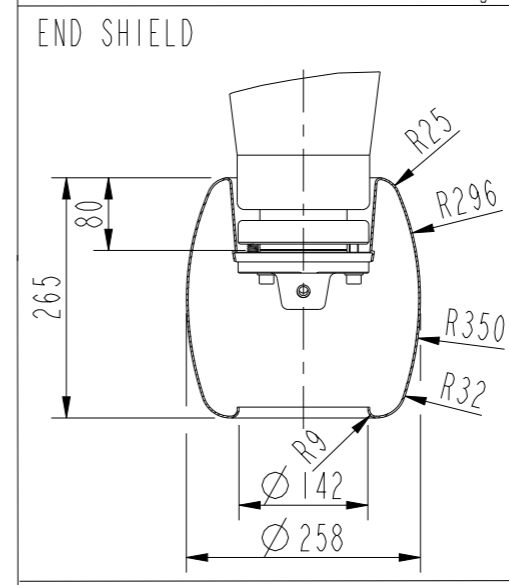
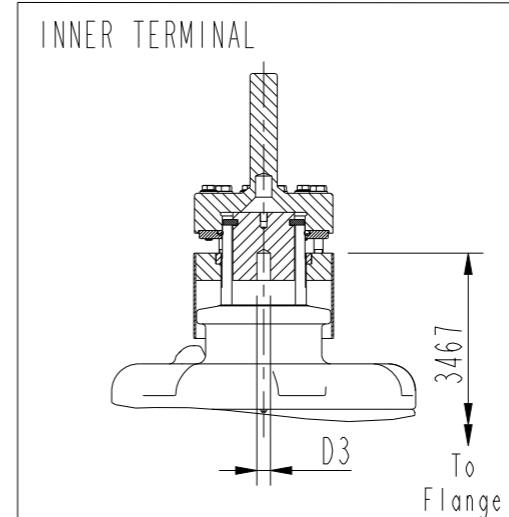
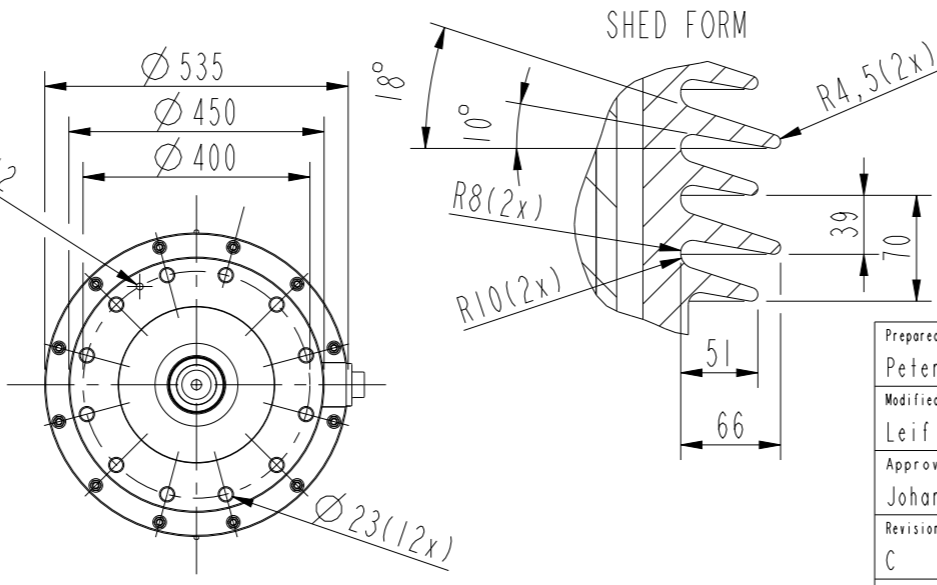
OUTER TERMINAL	MATERIAL	D2 (mm)
IZSC999001-AAA	Al	30
IZSC999001-AAB	Al	60
IZSC999001-AAC	Cu	30
IZSC999001-AAD	Cu	40

DRAW ROD SYSTEM	
IZSC999006	Lower draw rod
IZSC999007	Upper draw rod

INNER TERMINAL	D3 (mm)
IZSC999005-AAA	15
IZSC999005-AAB	30
IZSC999005-AAC	40
IZSC999005-AAD	42

FIXED BOTTOM CONTACT	
IZSC999002-AAE	

END SHIELD	
IZSC999003-AEA	Epoxy insulated



1) Maximum length of CT.

Prepared Peter Runnholm 2013-02-01	Responsible department	Title	GSB 362/1600/0.3
Modified by Leif Roosgårdh 2015-09-02	Take over department		
Approved by Johan X Eriksson 2015-09-02	Used in product		
Revision C	Model and drawing updated.		Order
Document no. 2751377-3			Sheet no. 82
No. Shits. (1)			

