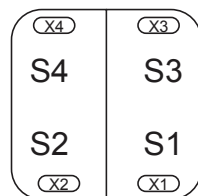
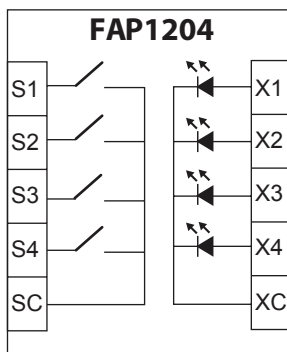




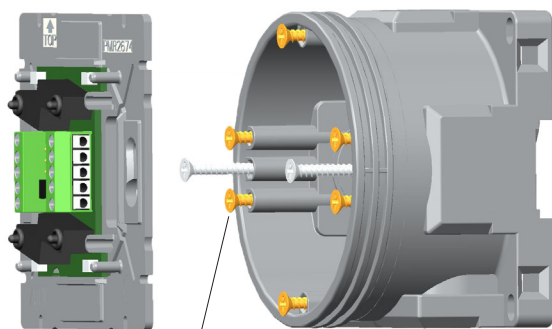
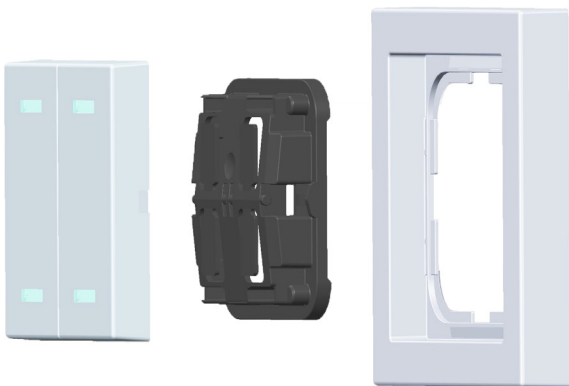
FAP1204
FAP1204-84
FAP1204-81
FAP1204-83

Painike 4-osainen
 Push-button 4-fold
 Tryckknapp 4-polig
 Trykknapp 4-ganger
 Кнопка 4 раза
 Nupplüliti 4-kordne
 Trykknapp 4-bande

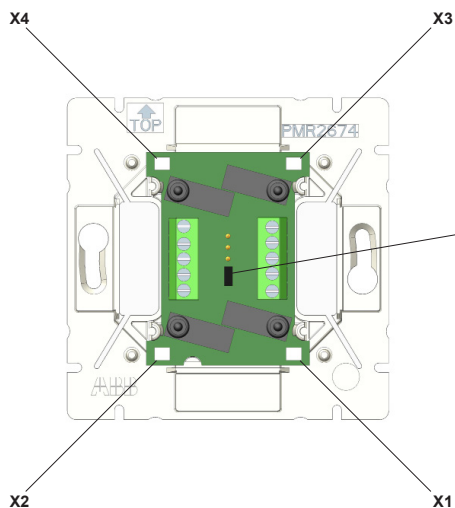


Technical Information

Operating voltage.....5-24V ac/dc
 Current consumption / LED.....max. 10m A ac/17mA dc
 Contact rating.....1A ac/dc res. 5-24V ac/dc
 Max. load capacity of LED's.....38 mA ac/67mA dc
 Protection class.....IP20
 Operating temperature.....5°- 40°C



* Use adjustment screw (type PLP4.100 or PLP5.100) if needed.



LED INTENSITY

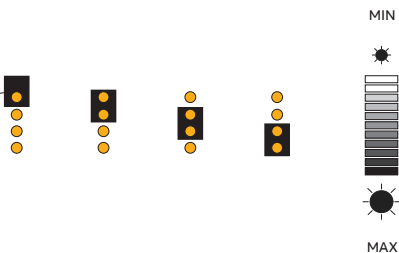
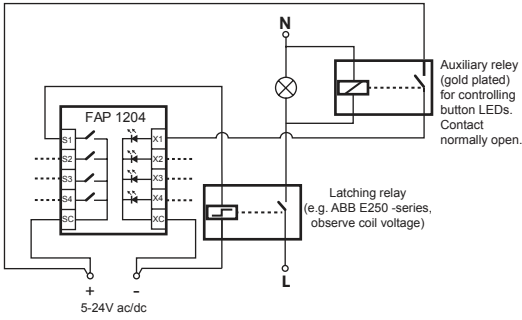


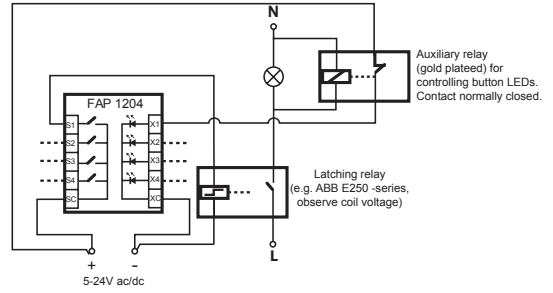
ABB Oy
 P.O. Box 16
 FI-06101 Porvoo
 FINLAND

Phone: +358 10 22 11
 abb.fi/asennustuotteet

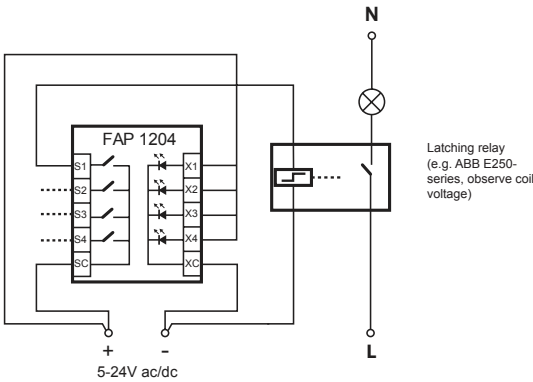
4-button with latching relay
Button LED ON when lights on.



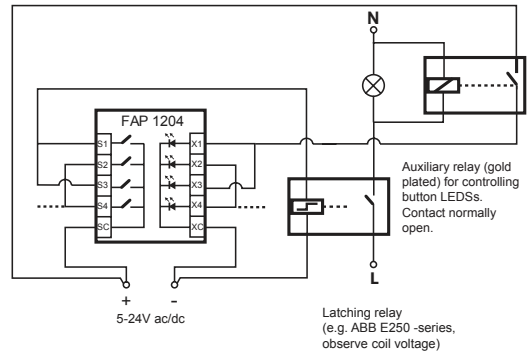
4-button with latching relay
Button LED OFF when lights on.



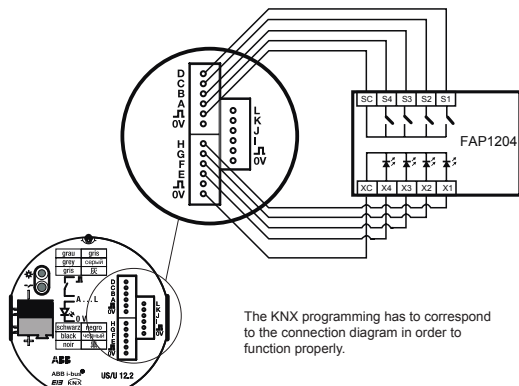
4-button with latching relay
Button LED always on.



2-button connection with latching relay
Button LED ON when lights on.

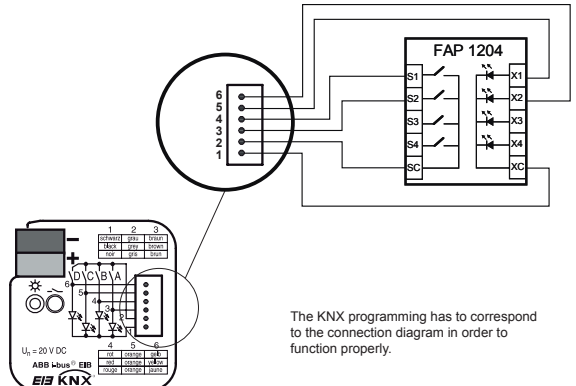


4-button with KNX universal interface
ABB US/U12.2



The KNX programming has to correspond to the connection diagram in order to function properly.

2-button with KNX universal interface
ABB US/U4.2



The KNX programming has to correspond to the connection diagram in order to function properly.