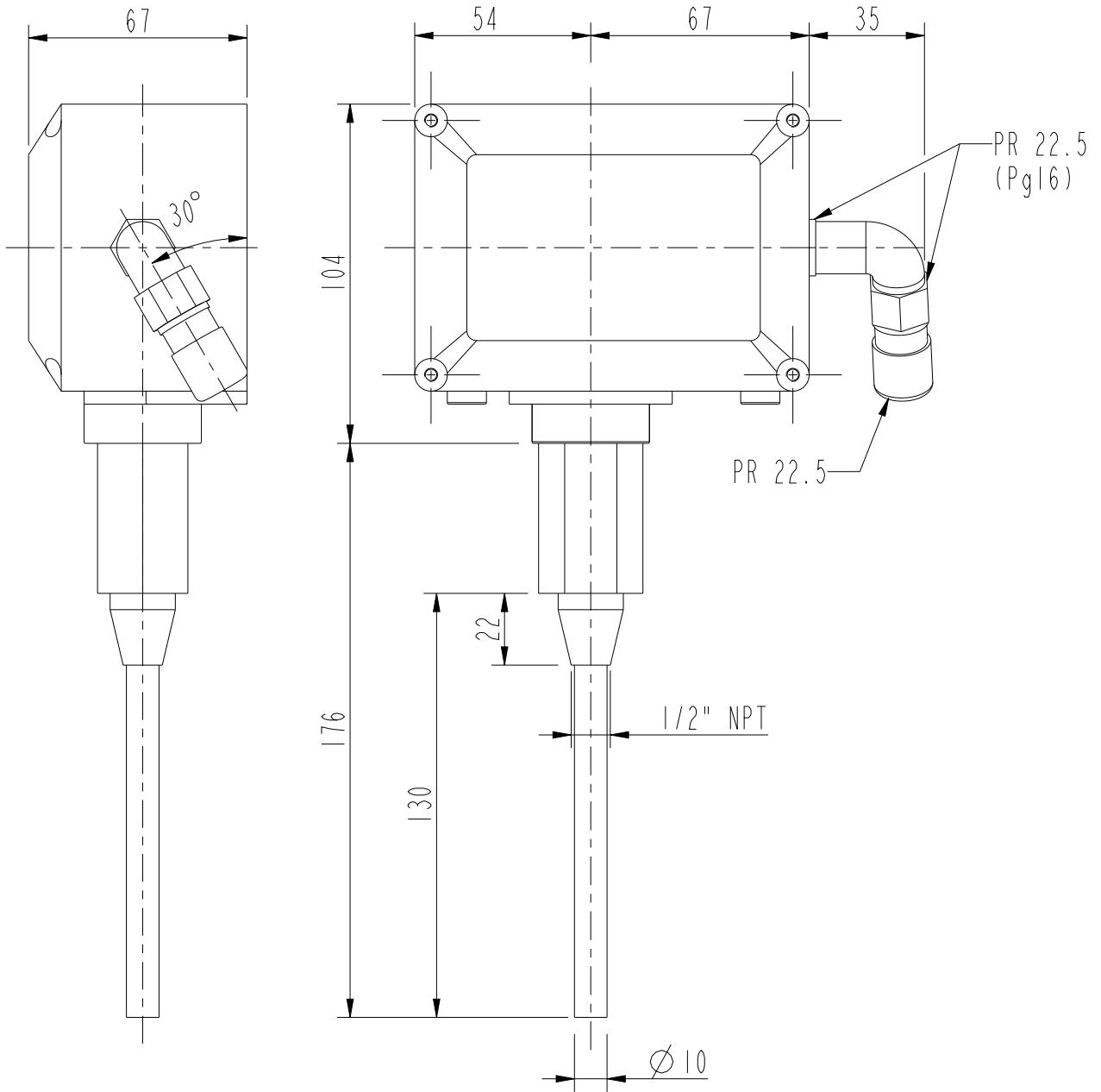


This document is issued by means of a computerized system.
 The digitally stored original is electronically approved. The
 approved document has a date entered in the 'Approved' -field.
 A manual signature is not required.



We reserve all rights in this document and in the information contained
 therein. Reproduction, use or disclosure to third parties without express
 authority is strictly forbidden. © Copyright 2015 ABB. All rights reserved.

Available versions / Tillgängliga varianter:

-40 °C, -25 °C, -10 °C, 0 °C, +5 °C
 +10 °C, +80 °C, +90 °C, +105 °C, +115 °C

Date / Approved

Responsible department

PPCO/TK

Document Kind

DIMENSION DRAWING



Title
 TEMPERATURE RELAY
 TEMPERATURVAKT

Document Id.
 1ZSC003716-AAM

Revision
 A

Language
 82

Sheet
 1/1