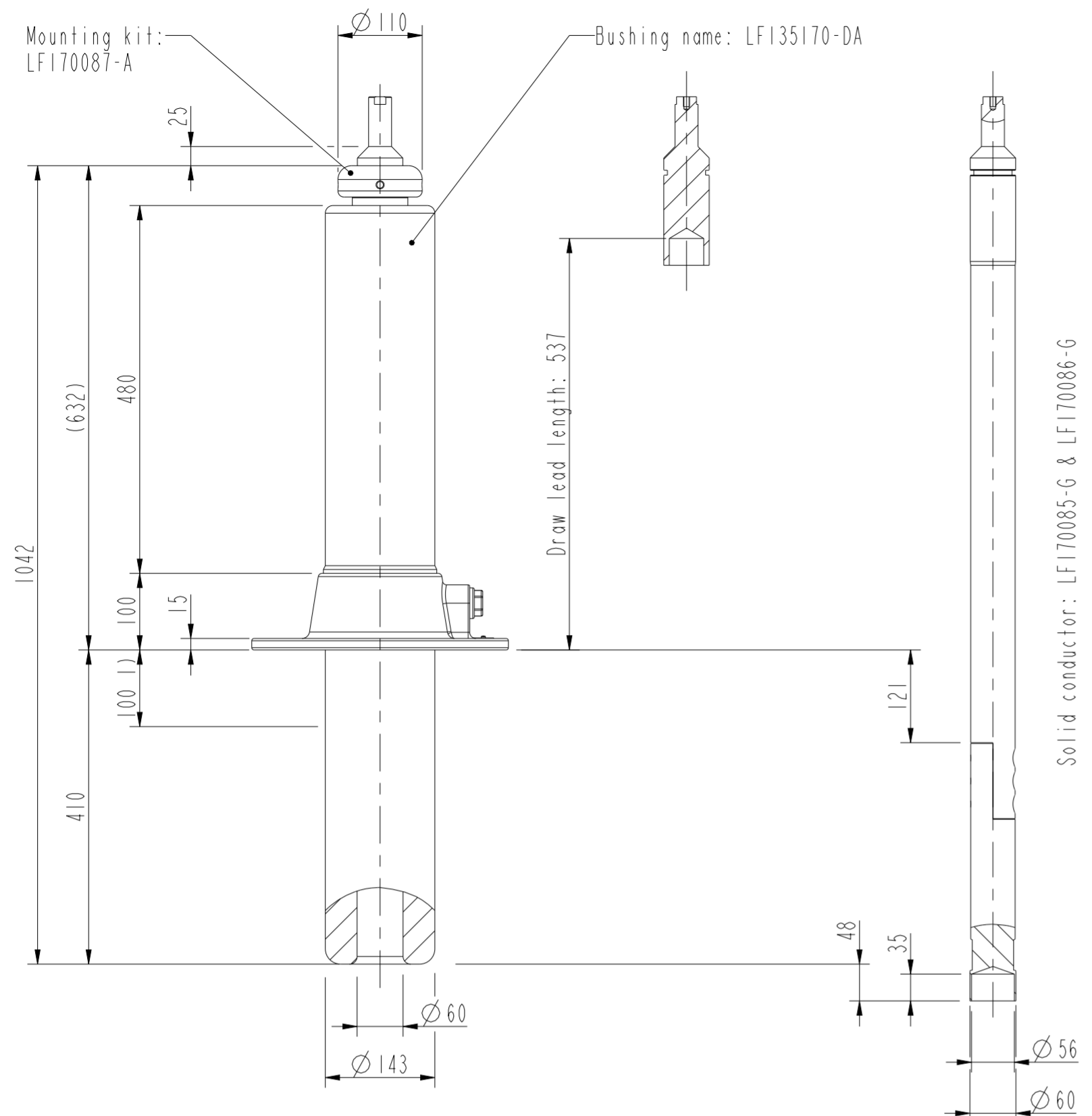
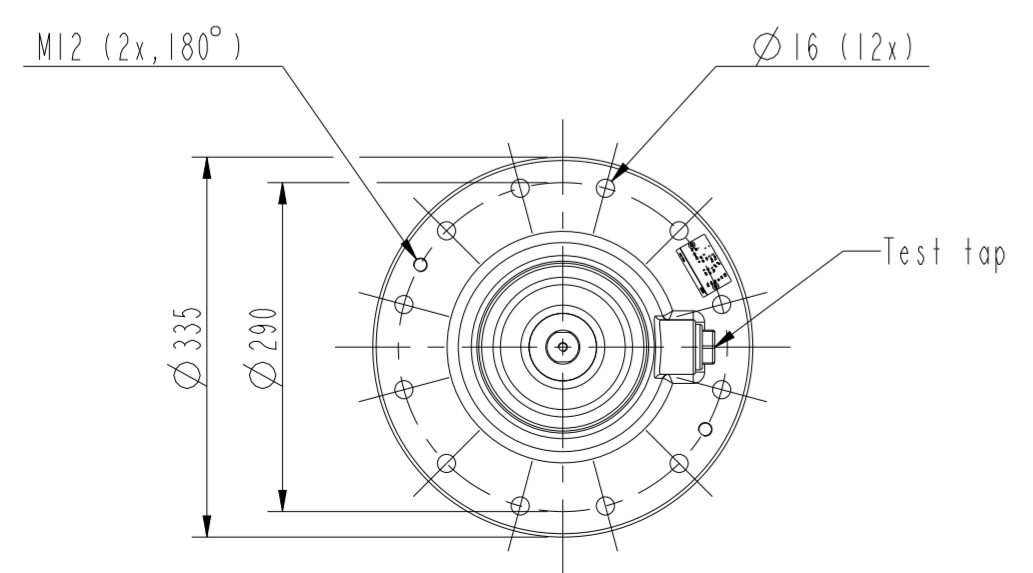


This document is issued by means of a computerized system. The digitally stored original is electronically approved. The approved document has a date entered in the "Approved"-field. A manual signature is not required.

Revision: Revision test  
C Capacitance updated.



1) Maximum space for CT.



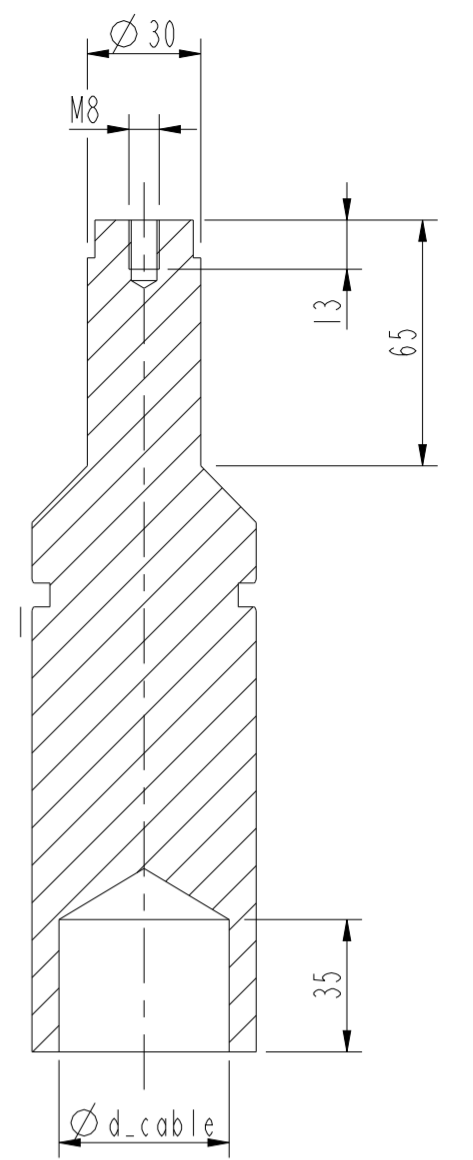
Conductor, upper (Cu)	
Catalog No.	MASS
LF170085-G	20

Conductor, lower (Cu)	
Catalog No.	MASS
LF170086-G	6

Mass: 3.5 kg

Terminal (Cu)	
Catalog No.	d_cable
LF170084-A	5
LF170084-B	11
LF170084-C	13
LF170084-D	15
LF170084-E	18
LF170084-F	30
LF170084-G	42
LF170084-H	45
LF170084-I	50
LF170084-J	54
LF170084-K	5



**ELECTRICAL DATA acc. to IEC 60137**

Ratings	Rated voltage	170	kV
	Max. phase to earth voltage	98	kV
	Max. phase to earth voltage, temporary	170	kV
	Max. current with Cu-conductor	2000	A
	Max. current with stranded cable 1200 mm <sup>2</sup>	1600	A
	Dry lightning impulse	750	kV
	Chopped lightning impulse	865	kV
Routine test	Dry power frequency	365	kV
Capacitance	Nominal capacitance	224	pF

**GENERAL DATA acc. to IEC 60137**

Mass	Mass bushing	19	kg
Cantilever load	Cantilever test load, according to IEC 60137	4000	N
	Max. cantilever operating load, bushing	2000	N
Ambient air temperature	according to IEC 60137	-40 to +40	°C
Mounting and service instructions		2750515-138	

**ELECTRICAL DATA acc. to ANSI C57.19.00**

Ratings	Insulation class	161	kV
	Rated max. line to ground voltage	102	kV
	Max. current with Cu-conductor	2000	A
	Max. current with stranded cable 1200 mm <sup>2</sup>	1600	A

Dim. requirements acc. to C57.19.01 not fulfilled

<b>ABB</b>		Ludvika, Sweden	
GSA 170-00 2000/0.1	LF135170-DA		
<b>No.</b>			
Um 170	kV	Ir2000	A 50/60 Hz
BIL 750	kV SIL	-	kV AC 365 kV
M 19	kg	L 410	mm √ 0-90°
C1	pF	Tan δ	x
C2	pF	Tan δ	x

Approved 2021-01-22	Document Kind Dimension Drawing	Based on doc.id	Work order id	Project id
Company ABB Technology Ltd	Title, Supplementary title Dimension drawing GSA 170-00 2000/0.1			
Responsible Department SEABB-9AAE300824	Måttskiss GSA 170-00 2000/0.1			
<b>ABB</b>	Document id 2751365-DA	Status Released	Revision C	Iteration 1/1