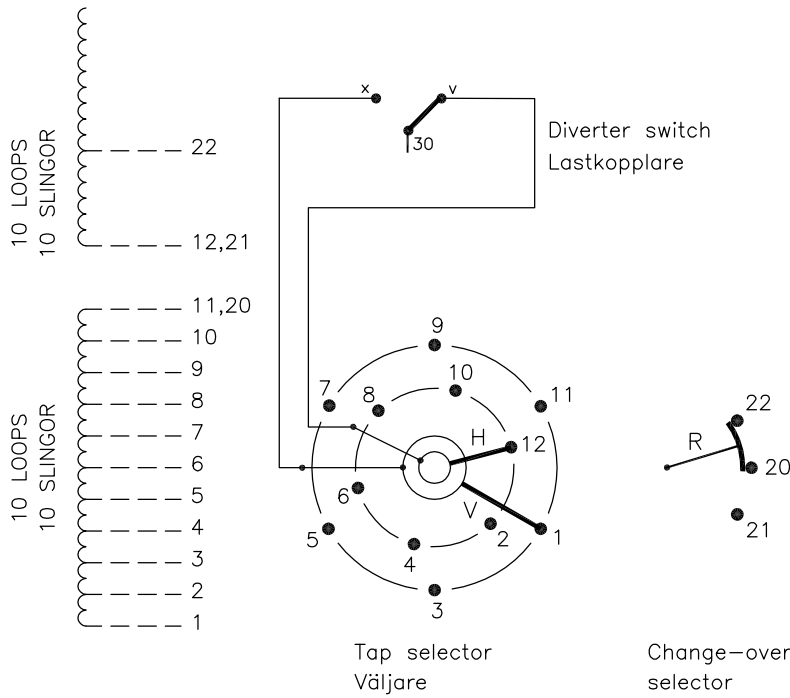


On-load tap-changer type UCGD./III, VUCGD./III, UCLD./III, VUCLR./III, UCDD./III, 21 tap positions, coarse/fine switching.
 Min. effective No. of turns in pos. 1.
 The tap-changer is delivered set in pos. 11,
 the preceding pos. was 11A.

Lindningskopplare typ UCGD./III, VUCGD./III, UCLD./III, VUCLR./III, UCDD./III, 21 lägen, grov/fin koppling.
 Min antal effektiva varv i läge 1.
 Lindningskopplaren levereras inställd i läge 11,
 föregående läge var 11A.



Pos. Läge	R connects in direction R förbinder i riktning	Tap selector and diverter switch connect Väljaren och lastkopplaren förbinder	
1	↓	11-V-x	
2		10-H-v	
3		9-V-x	
4		8-H-v	
5		7-V-x	
6		20-22	6-H-v
7		20-22	5-V-x
8		4-H-v	
9		3-V-x	
10		2-H-v	
11A		1-V-x	
11	↑	12-H-v	
11B	↑	11-V-x	
12	↑	10-H-v	
13	↑	9-V-x	
14	↑	8-H-v	
15	↑	7-V-x	
16	20-21	6-H-v	
17	↑	5-V-x	
18	↑	4-H-v	
19	↑	3-V-x	
20	↓	2-H-v	
21	↓	1-V-x	

30

A position with letter is a through position and gives the same voltage as the normal position.

Läge med bokstav är genomloppsläge och ger samma spänning som normalläget.

The tap-changer is shown in pos. 11,
 the preceding pos. was 11A.
 The tap selector and the change-over selector
 are seen from above.
 Contact arm V is located above contact arm H.

Lindningskopplaren visad i läge 11,
 föregående läge var 11A.
 Väljaren och grov/fin-omkopplaren sedda uppifrån.
 Kontaktarm V ligger över kontaktarm H.

Continuous lines show leads included in the
 tap-changer. Dashed lines show leads belonging
 to the cleats and leads.

Heldragna linjer visar ledare som ingår i
 lindningskopplaren. Streckade linjer visar
 ledare som tillhör anslutningsdonet.

2	VUCL Added	CA	12	37
1	VUCG Added	THLA	07	47
Rev Ind	Revision	Appd	Year	Week

Accepted by qual control R.Yngvesson	Accepted for prod by	Description (English) CONNECTION DIAGRAM	DATA ORIGINAL
Design checked by B-O.Stenestam	Drawn by L.Bergman	Description (own language) KOPPLINGSSCHEMA	File name 0372-7
Drawing checked by M.Hedlund	Issued by Dept Year Week COM/TKO 97 17	5492 0372-7	Lang Sheet 1
Asea Brown Boveri			Revind Cont -

We reserve all rights in this document and in the
 information contained therein. Reproduction, use or
 disclosure to third parties without express authority
 is strictly forbidden. © ABB '99

Sheet	Cont
Year	Week
Dept	
Revind	
Form No.	
Design checked by	