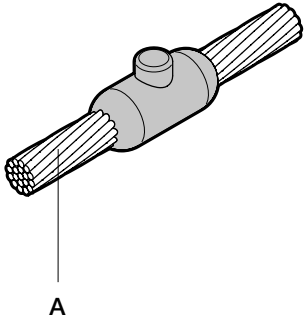


FurseWELD

Cable to cable CC1



Cable to cable CC1 - FurseWELD

| Stranded / solid circular conductor size A (mm ²) | Part no. | | | | |
|--|---------------------|-------------------|--------------|------------|----------------------|
| | Powder cartridge | Standard mould | Handle clamp | Mini mould | Mini handle clamp |
| 16* | 32P10 | CC1-4-16 | HCPK4 | CC1-3-16 | HCPK3 |
| 25 | 32P10 | CC1-4-25 | HCPK4 | CC1-3-25 | HCPK3 |
| 35 | 32P10 | CC1-4-35 | HCPK4 | CC1-3-35 | HCPK3 |
| 50 | 45P10 | CC1-4-50 | HCPK4 | CC1-3-50 | HCPK3 |
| Ø 8 | 45P10 | CC1-4-8SC | HCPK4 | CC1-3-8SC | HCPK3 |
| 70 | 65P10 | CC1-4-70 | HCPK4 | CC1-3-70 | HCPK3 |
| Ø 10 | 65P10 | CC1-4-10SC | HCPK4 | CC1-3-10SC | HCPK3 |
| 95 | 90P10 | CC1-4-95 | HCPK4 | CC1-3-95 | HCPK3 |
| 120 | 115P10 | CC1-4-120 | HCPK4 | CC1-3-120 | HCPK3 |
| 150 | 115P10 | CC1-4-150 | HCPK4 | CC1-3-150 | HCPK3 |
| 185 | 150P10 | CC1-4-185 | HCPK4 | — | — |
| 240 | 200P10 | CC1-4-240 | HCPK4 | — | — |
| 300 | 250P10 | CC1-4-300 | HCPK4 | — | — |
| 400 | 2 x 150P10 | CC1-5-400 | HCPK5 | — | — |

Special moulds for all FurseWELD products can be manufactured to meet specific customer applications on request

*2 x S103 Sleeve required when joining conductors 16 mm² or smaller