

CamLine Rotary Cam Switches

Brochure OM/ON 2 GB 00-05



CamLine

Cam Switches OM and ON

Complete range of standard and special cam switches for door and modular base mounting

- ON-OFF Switches
- Stop Switches
- Start Switches
- Pumpstart Switches
- Change-Over Switches
- Ventilation Switches
- Multistep Switches
- Reversing Switches
- Voltmeter Switches
- Ampmeter Switches



OM_ Miniature



ON_ Normal



ON_ Modular

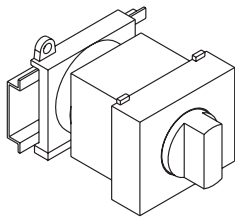
Technical data

OM

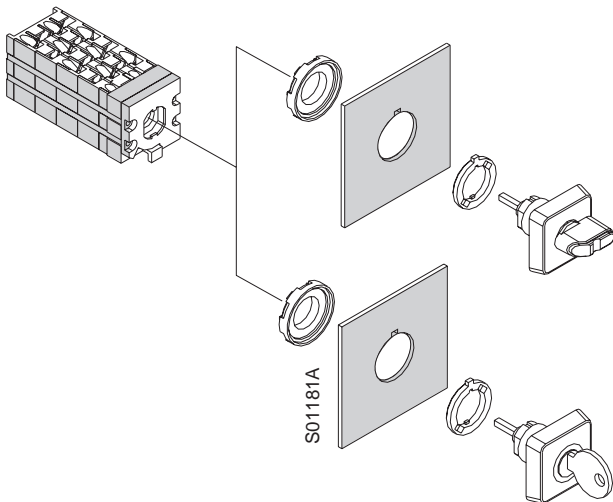
- U_e 500 V
- I_{th} 10 A VDE / IEC
- AC 21: 10A, 400V
- AC 23: 2.2 kW, 400V

ON

- U_e 690 V
- I_{th} 25 A VDE / IEC
- AC 21: 25A, 400V
- AC 23: 4 kW, 400V



ON_M, Modular
- DIN-rail mounting



ON, Normal
OM, Miniature
- Door mounting switch
- Key operated switch

Features:

- Complete delivery for easy purchasing and assembly
- Standard delivery with grey handle, optional extra black handle
- Small panel size: Front space in side to side mounting 30 or 50 mm
- Finger protected terminals and interconnections (IP20, VBG4)
- Combi screws, terminal screws size 2 for fast cabling
- Cabeling from top and bottom gives the possibility to mount side to side
- Double break silver contacts with 0,35 μ m gold plating ensure a high breaking capacity and reliable connection. Also available with 4 μ m gold plating for extremely difficult circumstances. Have to be ordered separately, please add AU to the type, e.g; OMA 1 PGAU.
- Special cam switches available through electronic ordering system or telefax, see page 13.
- Fast special engraving service

Protection degrees

Snap-on Door mounting
IEC: IP 65
UL: class 4

DIN-rail mounting
IP 44

Door drilling:

OM: \varnothing 16,5mm / \varnothing 22,5mm

ON: \varnothing 22,5mm / \varnothing 30,5mm

Maximum panel thickness 5,5 mm.

The grey handle with square escutcheon plate marked for switch type is supplied with the switch body.



CamLine Cam Switches

Contents:

Technical data according to IEC 947	4-5
Ordering information, Cam Switches	
ON-OFF Switches	6
Stop Switches	6
Start Switches	6
Pumpstart Switches	6
Change-Over Switches	7
Ventilation Switches	8
Multistep Switches	8-9
Reversing Switches	9
Voltmeter Switches	10
Ampmeter Switches	10
Accessories	11
Dimension drawings	12
Special Cam Switches	13-14

The technical data and dimensions are valid at the time of printing.
We reserve the right to subsequent alternations.

CamLine

Technical Data

Technical data according to IEC 947/ EN 60947-3-4-5

				OM_	ON_
IEC - Ratings					
Resistive and inductive load					
AC-Ratings					
Rated operating voltage U _e Isolation conditions acc to VDE	IEC		V	500	690
			V	250	400
Rated thermal current I _{th}	IEC		A	10	25
Rated short circuit current Max back up fuse link			kA	1	16
			A	10	25
Short time current carrying capacity		3s	A	-	100
		10s	A	-	60
		30s	A	-	32
		60s	A	-	30
Rated operational current I _e			A	10	25
Non- or slightly inductive load Switching of resistive loads	AC1	380 V	A	10	25
	AC21	400 V	A	10	25
Switching of magnetic drives relays, valves, traction magnets	AC11	220-240 V	A	2.5	5.5
		380-440 V	A	-	3.5
		500 V	A	-	4.5
Mixed resistive and inductive load, pf. 0,7	AC22	220-500 V	A	10	20
		660-690 V	A	-	20
DC-Ratings					
Switching capacity DC rated voltage with resistive circuits (T ≤ 1ms)					
	DC1	24V	A	10	10
		40V	A	6	10
		60V	A	2.5	3
		110V	A	0.7	0.8
		220V	A	0.3	0.32
		440V	A	-	0.22
Switching capacity DC rated voltage with inductive circuits (T ≤ 50 ms)					
	DC1	24V	A	6	10
		30V	A	3	4.5
		40V	A	1	1.7
		60V	A	0.7	0.7
		110V	A	0.3	0.3
Motor ratings					
AC-Ratings					
Rated operational power 3-Phase Starting of slip-ring motors, switching off	AC2	220-240 V	kW	2.5	3.5
		380-440 V	kW	-	6
		500 V	kW	-	6
		660-690 V	kW	-	6
Rated operational power 3-Phase, 3-Pole Direct starting of squirrel cage motors, switching off running motors	AC3	220-240 V	kW	1.8	2.2
		380-440 V	kW	2.2	5.5
		500 V	kW	-	4
		660-690 V	kW	-	4
1-Phase		110 V	kW	0.3	0.4
		220-240 V	kW	0.55	0.75
		400 V	kW	0.75	1.3
Rated operational power 3-Phase, 3-Pole Occasional switching of motors or other Highly-inductive devices load	AC23	220-240 V	kW	1.8	2.6
		380-440 V	kW	3.0	7.5
		500 V	kW	-	4.8
		660-690 V	kW	-	4.8
1-Phase		110 V	kW	0.37	0.5
		220-240 V	kW	0.75	0.9
		380-440V	kW	1.1	1.5

CamLine

Technical data

OM_ ON_

UL and CSA Ratings

UL 508 Manual Motor Controller file number E 171806

Maximum operating voltage		VAC	300	600
Ampere rating	Pilot duty	CSA/UL category	A300	A600
	General Use	CSA/UL	10	16
		A		

Ampere rating CSA		A	10	16
Rated Power (HP)	120V	HP	1	1
3-Phase	240V	HP	1	1
	480V	HP	-	2
	600V	HP	-	5

1-Phase	120V	HP	0.33	0.5
	240V	HP	0.75	1
	480V	HP	-	2
	600V	HP	-	3

Short Circuit Ratings

Maximum Short Circuit, Prospective Fault Current		kA	1	10
Maximum Fuse Size R k5		A	16	35
Switching frequency		cycles/h	150	150
Connecting screws		M	2.5	3.5
Max cable cross section		mm ²	1.5	4

CamLine

Ordering Information

Rotary Cam Switches

ON-OFF Switches

Grey handle and frontplate with standard text are included. Package size 10 pcs. Special engraved frontplates to be ordered as separate items.

Function	Number of poles	Rated thermal current [A]	Type	Order number	Price
----------	-----------------	---------------------------	------	--------------	-------

Rotating angle 90°

Miniature, door mounted

0 - 1	1	10	OMA01PG	1SCA022570R8200
	2	10	OMA02PG	1SCA022570R8380
	3	10	OMA03PG	1SCA022570R8460

0 - 1	4	10	OMA04PG	1SCA022570R8540
	5	10	OMA05PG	1SCA022570R8620
	6	10	OMA06PG	1SCA022570R8710

Normal, door mounted

0 - 1	1	25	ONA01PG	1SCA022570R8890
	2	25	ONA02PG	1SCA022570R8970
	3	25	ONA03PG	1SCA022570R9010

0 - 1	4	25	ONA04PG	1SCA022570R9190
	5	25	ONA05PG	1SCA022570R9270
	6	25	ONA06PG	1SCA022570R9350

Modular, DIN-rail mounted

0 - 1	1	25	ONA01M	1SCA022572R5630
	2	25	ONA02M	1SCA022572R5710
	3	25	ONA03M	1SCA022572R5800
	6	25	ONA06M	1SCA022572R5980

Key operated

Miniature, door mounted

0 - 1	1	10	OMA01KG	1SCA022570R9430
	3	10	OMA03KG	1SCA022570R9510

Normal, door mounted 90°

0 - 1	1	25	ONA01KG	1SCA022570R9600
	3	25	ONA03KG	1SCA022570R9780

Stop Switches

Grey handle and frontplate with standard text are included. Package size 10 pcs. Special engraved frontplates to be ordered as separate items. With spring return, Contacts N.C.

Miniature, door mounted

0 _R -Stop	2	10	OMSA2PG	1SCA022534R6370
----------------------	---	----	---------	-----------------

Normal, door mounted

0 _R -Stop	2	25	ONSA2PG	1SCA022534R6450
----------------------	---	----	---------	-----------------

Start Switches

Grey handle and frontplate with standard text are included. Package size 10 pcs. Special engraved frontplates to be ordered as separate items. With spring return, Contacts N.O.

Miniature, door mounted

0 _R -Start	1	10	OMSE2PG	1SCA022534R6530
0-1 _R -Start	1	10	OMSEA10PG	1SCA022534R6610

Normal, door mounted

Stop-Start	1	25	ONSEA1PG	
0 _R -Start	1	25	ONSE2PG	1SCA022573R2680
0-1 _R -Start	1	25	ONSEA10PG	1SCA022534R6700
Start-1 _R -0-2 _R -Start	1	25	ONUR139PG	1SCA022534R6880

Modular, DIN-rail mounted

0-1 _R -Start	1	25	ONSEA10M	1SCA022565R5750
Start-1 _R -0-2 _R -Start	1	25	ONUR139M	1SCA022531R6620

Pumpstart Switch

Miniature, door mounted

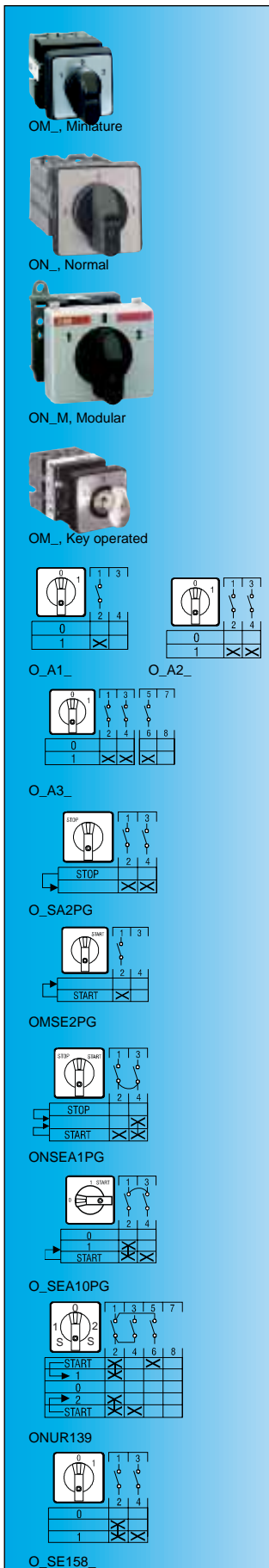
0 - 1	1	10	OMSE158PG	1SCA022545R5070
-------	---	----	-----------	-----------------

Normal, door mounted

0 - 1	1	25	ONSE158PG	1SCA022534R6960
-------	---	----	-----------	-----------------

Modular, DIN-rail mounted

0 - 1	1	25	ONSE158M	1SCA022534R2620
-------	---	----	----------	-----------------



CamLine

Ordering Information

Rotary Cam Switches

Change-Over Switches

Grey handle and frontplate with standard text are included. Package size 10 pcs. Special engraved frontplates to be ordered as separate items.

Function	Number of poles	Rated thermal current [A]	Type	Order number	Price
----------	-----------------	---------------------------	------	--------------	-------

Rotating angle 60° - 0 - 60°

Miniature, door mounted

1 - 0 - 2	1	10	OMU1PG	1SCA022534R7000
	2	10	OMU2PG	1SCA022534R7260
	3	10	OMU3PG	1SCA022534R7420
	4	10	OMU4PG	1SCA022534R7690

Normal, door mounted

1 - 0 - 2	1	25	ONU1PG	1SCA022534R7180
	2	25	ONU2PG	1SCA022534R7340
	3	25	ONU3PG	1SCA022534R7510
	4	25	ONU4PG	1SCA022534R7770

Modular, DIN-rail mounted

1 - 0 - 2	1	25	ONU1M	1SCA022532R8210
	2	25	ONU2M	1SCA022532R8390
	3	25	ONU3M	1SCA022532R8470
	4	25	ONU4M	1SCA022534R2710

Key operated, with 0 position

Miniature, door mounted

1 - 0 - 2	1	10	OMU1KG	1SCA022534R7850
	3	10	OMU3KG	1SCA022534R8070

Normal, door mounted

1 - 0 - 2	1	25	ONU1KG	1SCA022534R7930
	3	25	ONU3KG	1SCA022534R8150

1_R - 0-2_R , with two sided spring return

Miniature, door mounted

1 _R -0-2 _R	1	10	OMURR1PG	1SCA022534R8230
	3	10	OMURR3PG	1SCA022534R8400

Normal, door mounted

1 _R -0-2 _R	1	25	ONURR1PG	1SCA022534R8310
	2	25	ONURR2PG	1SCA022558R4120
	3	25	ONURR3PG	1SCA022534R8580

Modular, DIN-rail mounted

1 _R -0-2 _R	1	25	ONURR1M	1SCA022532R8630
----------------------------------	---	----	---------	-----------------

Without 0 position

Miniature, door mounted

1 - 2	1	10	OMWS1PG	1SCA022534R8660
	2	10	OMWS2PG	1SCA022534R8820
	3	10	OMWS3PG	1SCA022534R9040
	4	10	OMWS4PG	1SCA022534R9210

Normal, door mounted

1 - 2	1	25	ONWS1PG	1SCA022534R8740
	2	25	ONWS2PG	1SCA022534R8910
	3	25	ONWS3PG	1SCA022534R9120
	4	25	ONWS4PG	1SCA022534R9390

Modular, DIN-rail mounted

1 - 2	1	25	ONWS1M	1SCA022532R8710
	2	25	ONWS2M	1SCA022532R8800
	3	25	ONWS3M	1SCA022532R8980
	4	25	ONWS4M	1SCA022532R9010



OM_ Miniature



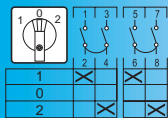
ON_ Normal



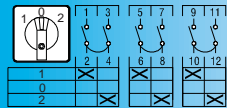
ON_M Modular



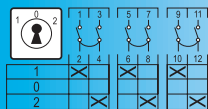
OM_ Key operated



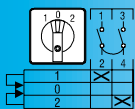
O_U2_



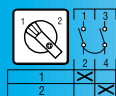
O_U3PG, ONU3M



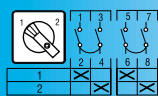
O_U3KG



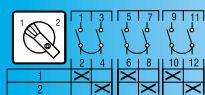
O_URR1PG, ONURR1M



O_WS1_



O_WS2_



O_WS3_

CamLine

Ordering Information

Rotary Cam Switches

Ventilation Switches

Grey handle and frontplate with standard text are included. Package size 10 pcs. Special engraved frontplates to be ordered as separate items.

Function	Number of poles	Rated thermal current [A]	Type	Order number	Price
Miniature, door mounted					
A - 0 - 1/2 - 1/1	2	10	OMST301PG	1SCA022535R4040	
Normal, door mounted					
A - 0 - 1/2 - 1/1	2	25	ONST301PG	1SCA022535R4120	
Modular, DIN-rail mounted					
A - 0 - 1/2 - 1/1	2	25	ONST301M	1SCA022533R2150	

Multistep Switches, with 0 position

Grey handle and frontplate with standard text are included. Package size 10 pcs. Special engraved frontplates to be ordered as separate items.

2- step

Miniature, door mounted					
0 - 1 - 2	1	10	OMSO21PG	1SCA022534R9470	
	2	10	OMSO22PG	1SCA022534R9630	
	3	10	OMSO23PG	1SCA022534R9800	
	4	10	OMSO24PG	1SCA022534R0050	
Normal, door mounted					
0 - 1 - 2	1	25	ONSO21PG	1SCA022534R9550	
	2	25	ONSO22PG	1SCA022534R9710	
	3	25	ONSO23PG	1SCA022534R9980	
	4	25	ONSO24PG	1SCA022535R0130	
Modular, DIN-Rail mounted					
0 - 1 - 2	1	25	ONSO21M	1SCA022532R9100	

3- step

Miniature, door mounted					
0 - 1 - 2 - 3	1	10	OMSO31PG	1SCA022558R3820	
	2	10	OMSO32PG	1SCA022535R0560	
	3	10	OMSO33PG	1SCA022535R0720	
	4	10	OMSO34PG	1SCA022535R0990	
Normal, door mounted					
0 - 1 - 2 - 3	1	25	ONSO31PG	1SCA022535R0480	
	2	25	ONSO32PG	1SCA022535R0640	
	3	25	ONSO33PG	1SCA022535R0810	
	4	25	ONSO34PG	1SCA022535R1020	
Modular, DIN-rail mounted					
0 - 1 - 2 - 3	1	25	ONSO31M	1SCA022532R9280	

4- step

Miniature, door mounted					
0 - 1 - 2 - 3 - 4	1	10	OMSO41PG	1SCA022535R1110	
	2	10	OMSO42PG	1SCA022535R1530	
	3	10	OMSO43PG	1SCA022535R2420	
Normal, door mounted					
0 - 1 - 2 - 3 - 4	1	25	ONSO41PG	1SCA022535R1370	
	2	25	ONSO42PG	1SCA022535R1450	
	3	25	ONSO43PG	1SCA022535R2510	

5- step

Miniature, door mounted					
0 - 1 - 2 - 3 - 4 - 5	1	10	OMSO51PG	1SCA022535R2690	
	2	10	OMSO52PG	1SCA022535R2930	
Normal, door mounted					
0 - 1 - 2 - 3 - 4 - 5	1	25	ONSO51PG	1SCA022535R2850	
	2	25	ONSO52PG	1SCA022535R3070	



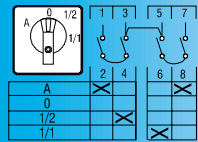
OM_ Miniature



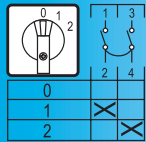
ON_ Normal



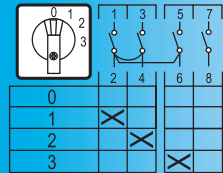
ON_M, Modular



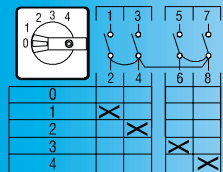
O_ST301_



O_SO21_



O_SO31_



O_SO41_

CamLine

Ordering Information

Rotary Cam Switches

Multistep Switches, without 0 position

Grey handle and frontplate with standard text are included. Package size 10 pcs. Special engraved frontplates to be ordered as separate items.

Function	Number of poles	Rated thermal current [A]	Type	Order number	Price
----------	-----------------	---------------------------	------	--------------	-------

3- step

Miniature, door mounted

1 -2 -3	1	10	OMST31PG	1SCA022535R3150
	2	10	OMST32PG	1SCA022535R3580
	3	10	OMST33PG	1SCA022535R3660
	4	10	OMST34PG	1SCA022535R3820

Normal, door mounted

1 -2 -3	1	25	ONST31PG	1SCA022535R3310
	2	25	ONST32PG	1SCA022535R3400
	3	25	ONST33PG	1SCA022535R3740
	4	25	ONST34PG	1SCA022535R3910

Modular, DIN-rail mounted

1 -2 -3	1	25	ONST31M	1SCA022533R2070
---------	---	----	---------	-----------------

4- step

Miniature, door mounted

1 - 2 - 3 - 4	1	10	OMST41PG	1SCA022535R4210
	2	10	OMST42PG	1SCA022535R4550
	3	10	OMST43PG	1SCA022535R4710

Normal, door mounted

1 - 2 - 3 - 4	1	25	ONST41PG	1SCA022535R4470
	2	25	ONST42PG	1SCA022535R4630
	3	25	ONST43PG	1SCA022535R4800

5- step

Miniature, door mounted

1 - 2 - 3 - 4 - 5	1	10	OMST51PG	1SCA022535R4980
	2	10	OMST52PG	1SCA022535R5280

Normal, door mounted

1 - 2 - 3 - 4 - 5	1	25	ONST51PG	1SCA022535R5100
	2	25	ONST52PG	1SCA022535R5360

Reversing Switches

Grey handle and frontplate with standard text are included. Package size 10 pcs. Special engraved frontplates to be ordered as separate items.

1 - 0 - 2	3	25	ONW3PG	1SCA022555R9790
-----------	---	----	--------	-----------------



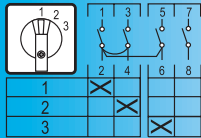
OM_ Miniature



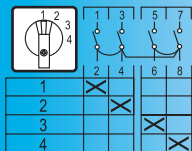
ON_ Normal



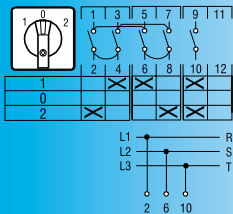
ON_M, Modular



O_ST31_

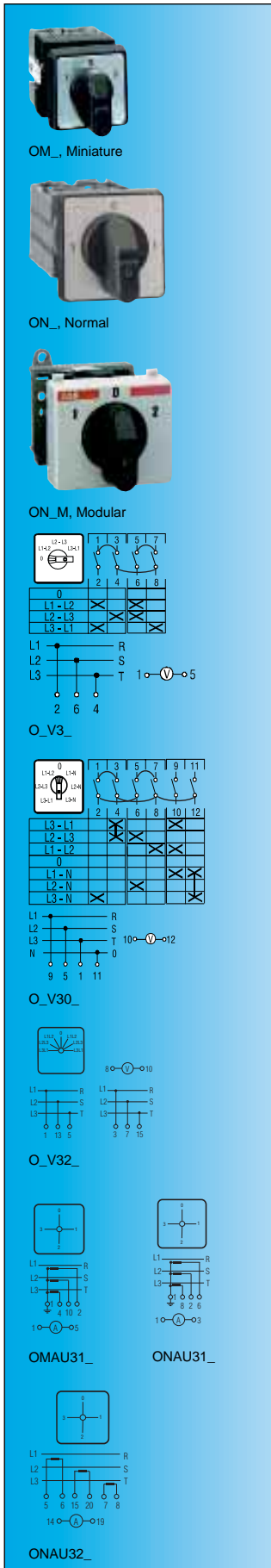


O_ST41_



ONW3PG

CamLine Ordering Information Rotary Cam Switches

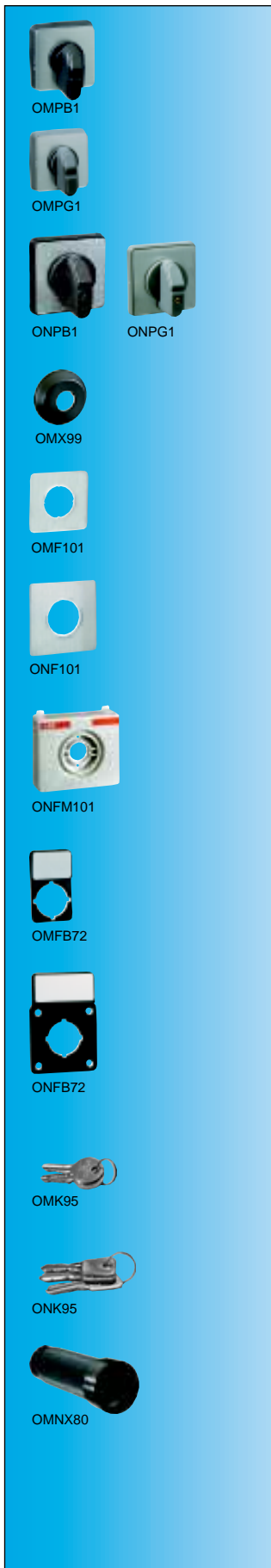


Voltmeter Switches

Grey handle and frontplate with standard text are included. Package size 10 pcs. Special engraved frontplates to be ordered as separate items.

Function	Number of poles	Rated thermal current [A]	Type	Order number	Price
3 phase to phase, with 0 position					
Miniature, door mounted					
0, L1-L2,L2-L3,L3-L1	1	10	OMV3PG	1SCA022535R1880	
Normal, door mounted					
0, L1-L2,L2-L3,L3-L1	1	25	ONV3PG	1SCA022535R1960	
Modular, DIN-rail mounted					
0, L1-L2,L2-L3,L3-L1	1	25	ONV3M	1SCA022549R9280	
3 phase to phase, without 0 position					
Miniature, door mounted					
L1-L2,L2-L3,L3-L1	1	10	OMVN3PG	1SCA022558R4550	
Normal, door mounted					
L1-L2,L2-L3,L3-L1	1	25	ONVN3PG	1SCA022558R4710	
Modular, DIN-rail mounted					
L1-L2,L2-L3,L3-L1	1	25	ONVN3M	1SCA022558R4800	
3 phase to phase and 3 phase to neutral, without 0 position					
Miniature, door mounted					
L1-L3,L2-L3,L1-L2 L1-N,L2-N,L3-N	1	10	OMVN30PG	1SCA022535R2000	
Normal, door mounted					
L1-L3,L2-L3,L1-L2 L1-N,L2-N,L3-N	1	25	ONVN30PG	1SCA022535R2180	
Modular, DIN-rail mounted					
L1-L3,L2-L3,L1-L2 L1-N,L2-N,L3-N	1	25	ONVN30M	1SCA022549R9010	
3 phase to phase and 3 phase to neutral, with 0 position					
Miniature, door mounted					
L1-L3,L2-L3,L1-L2,0 L1-N,L2-N,L3-N	1	10	OMV30PG	1SCA022535R1610	
Normal, door mounted					
L1-L3,L2-L3,L1-L2,0 L1-N,L2-N,L3-N	1	25	ONV30PG	1SCA022535R1700	
Modular, DIN-rail mounted					
L1-L3,L2-L3,L1-L2,0 L1-N,L2-N,L3-N	1	25	ONV30M	1SCA022549R9100	
3 phase to phase voltages for 2 circuits					
Miniature, door mounted					
L1-L3,L2-L3,L1-L2,0 L1-L3,L2-L3,L1-L2	1	10	OMV32PG	1SCA022555R9280	
Normal, door mounted					
L1-L3,L2-L3,L1-L2,0 L1-L3,L2-L3,L1-L2	1	25	ONV32PG	1SCA022555R9440	
Amperemeter Switches					
Grey handle and frontplate with standard text are included. Package size 10 pcs. Special engraved frontplates to be ordered as separate items.					
3 current transformer circuits, with 0 position					
Miniature, door mounted					
0 - 1 - 2 - 3	1	10	OMAU31PG	1SCA022535R2260	
Normal, door mounted					
0 - 1 - 2 - 3	1	25	ONAU31PG	1SCA022535R2340	
0 - 1 - 2 - 3	2	25	ONAU32PG	1SCA022558 R4390	
Modular, DIN-rail mounted					
0 - 1 - 2 - 3	1	25	ONAU31M	1SCA022549R9360	

CamLine Accessories



Accessories

Colour	For camswitches type	Type	Order number	Price
Handle with blanco front plate without engraving				
Black	OM_, Mini	OMPB1	1SCA022553R7470	
Grey	OM_, Mini	OMPG1	1SCA022553R8010	
Black	ON_, Normal	ONPB1	1SCA022553R7550	
Grey	ON_, Normal	ONPG1	1SCA022553R7630	
Front ring, separate lettering on the panel needed				
Black	OM_, Mini	OMX99	1SCA022553R8100	
Grey	ON_, Normal	ONX99	1SCA022553R7710	
Front plate, blanco without engraving ¹⁾				
Silver	OM_, Mini	OMF101	1SCA022540R4590	
Silver	ON_, Normal	ONF 101	1SCA022540R6290	
Grey	ON_, Modular	ONFM 101	1SCA022553R8520	
Additional lettering plate, without engraving, black engraving from front side ²⁾				
Black frame	OM_, Mini	OMFB72	1SCA022553R8280	
Black frame	ON_, Normal	ONFB72	1SCA022553R7800	
Grey frame	OM_, Mini	OMFG72	1SCA022556R1850	
Grey frame	ON_, Normal	ONFG72	1SCA022556R1930	
Spare key				
2 pcs	OM_, Mini	OMK95	1SCA022553R8360	
3 pcs	ON_, Normal	ONK95	1SCA022553R7980	
Nut spanner for mounting the handle to the door				
	OM_, Mini	OMNX80	1SCA022553R8440	
	ON_, Normal			

¹⁾ Special front plate for standard switches: order as separate position. Attach specification in electronic format or paper. Eg. ONF 101/TEXT

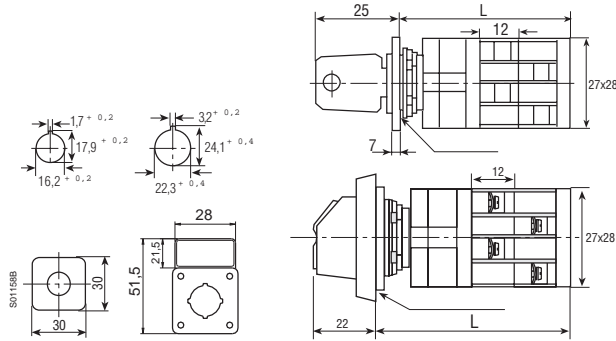
²⁾ Additional lettering plate with engraving: order as separate position. Attach specification in electronic format or paper. The text can also be typed as comment. Eg. ONFB 72/TEXT Pumping station

CamLine Dimension drawings

Dimension drawings for OM and ON switches Dimensions in mm.

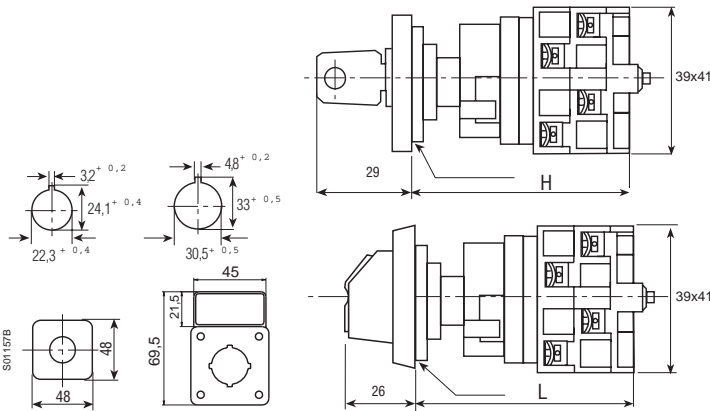
Remark. Terminal screws on top and bottom side.

OM, Miniature



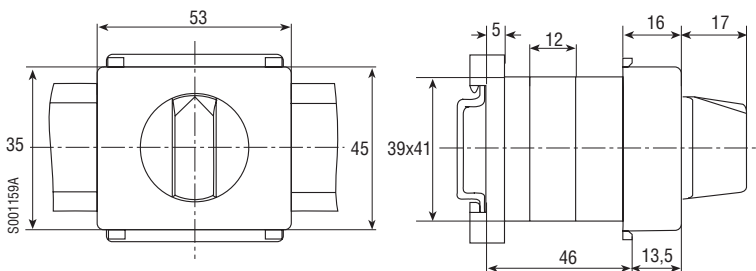
L for number of contact chambers							
1	2	3	4	5	6	7	8
45	57	69	81	90	105	117	129

ON, Normal



L for number of contact chambers										
	1	2	3	4	5	6	7	8	9	10
L	58	70	82	94	106	118	130	142	155	167
H	62	74	86	98	110	122	134	146	159	171

ON, Modular





Special Cam Switches, Contact plan

Type _____

Project number _____

Customer's number 5375175-C

Company Company Ltd.

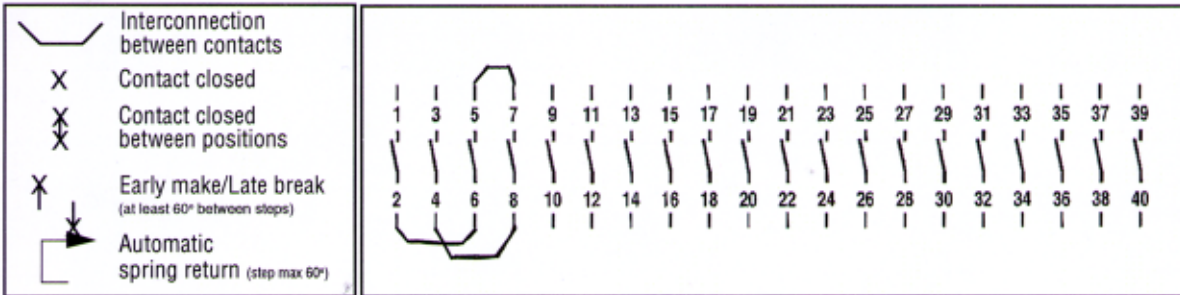
Quantity: 5 pcs

Phone/Fax nr. 010 22 400

Handled by: Mr. Smith

Name Mr. Smith

Date: 19.3.2000



		ON_M										OM										ON																					
		1	3	5	7	9	11	13	15	17	19	21	23	25	27	29	31	33	35	37	39			2	4	6	8	10	12	14	16	18	20	22	24	26	28	30	32	34	36	38	40
		2	4	6	8	10	12	14	16	18	20	22	24	26	28	30	32	34	36	38	40																						
START	300°		X		X																																						
REVERSE	330°				X																																						
STOP	0°																																										
FORWARD	30°			X																																							
START	60°	X		X																																							

Door mounting

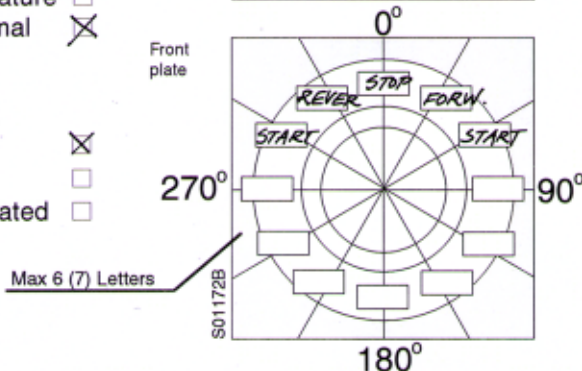
OM, Miniature
ON, Normal

Handle:
Black B
Grey G
Key operated

Additional lettering plate

Pump for high temp. water

Front plate



Max 6 (7) Letters

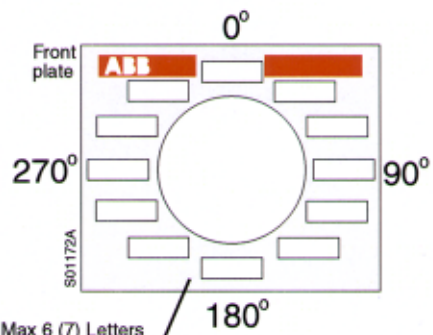
S01172B

Max 20 contacts (ON), 16 contacts (OM)
[Max 6 (7) Letters]

ABB Control

DIN-rail mounting

ON_M, Modular



Max 6 (7) Letters

Max 3 chambers = 6 contacts
[Max 6 (7) Letters]



Special Cam Switches, Contact plan

Type _____

Project number _____

Customer's number 5375175-D

Quantity: 3 pcs

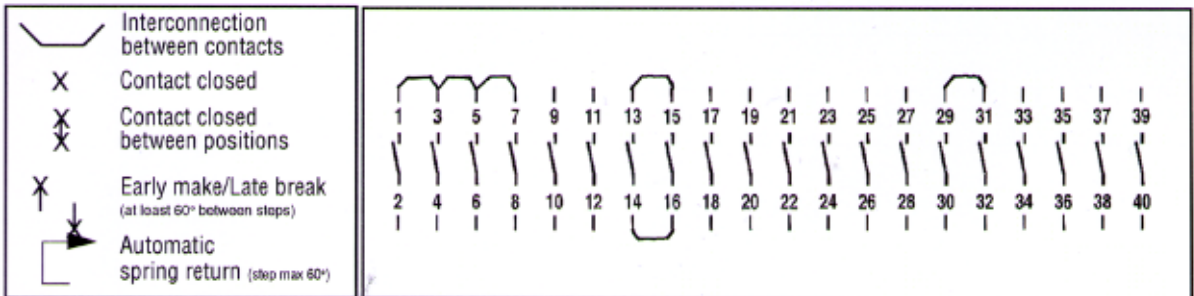
Handled by: M. Smith

Date: 21.3.2000

Company Company Ltd.

Phone/Fax nr. 010 22 4000

Name Mr. Smith



		ON_M										OM										ON																			
		1	3	5	7	9	11	13	15	17	19	21	23	25	27	29	31	33	35	37	39	2	4	6	8	10	12	14	16	18	20	22	24	26	28	30	32	34	36	38	40
		X				X		X		X				X		X																									
0	270°	X				X		X		X				X		X																									
Man.	0°		X			X		X		X				X		X																									
Aut.	90°			X								X			X																										
Test.	180°				X		X		X			X			X		X																								

Door mounting

OM, Miniature

ON, Normal

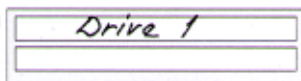
Handle:

Black B

Grey G

Key operated

Additional lettering plate



Front plate

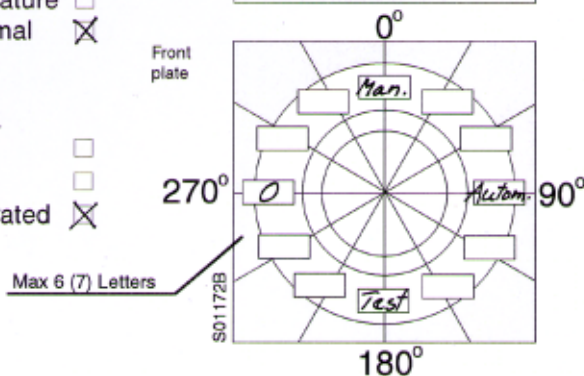
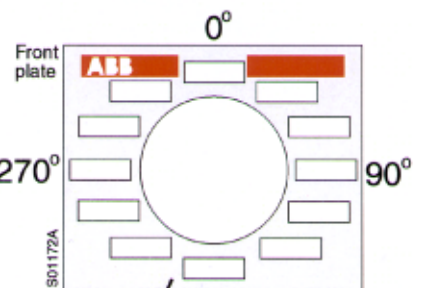


ABB Control

Max 20 contacts (ON), 16 contacts (OM)
[Max 6 (7) Letters]

DIN-rail mounting

ON_M, Modular



Max 6 (7) Letters

Max 3 chambers = 6 contacts
[Max 6 (7) Letters]



ABB Oy

Low Voltage Products
P.O. Box 622
FI-65101 VAASA, Finland
Telephone +358 10 22 11
Telefax +358 10 22 45708
www.abb.com/lvswitches

The technical data and dimensions are valid at the time of printing. We reserve the right to subsequent alterations.

The operations of the manufacturing plant have been certified.

