

On-load tap-changers, type UCL

Spare parts list

This spare parts list has been compiled to help you with procurement of spares. To obtain trouble-free deliveries you should note a few things which are explained in the following text.

The breakdown level and general contents of this list have been worked out to cover normal customer requests. Our spares sales people will be happy to assist if you require any specific item that is not included in the list.

Type designation and serial number

The rating plate on the on-load tap-changer shows which type and serial number of the device you are ordering spares for. It is important to have this information, because the manufacture of parts gradually changes as materials and manufacturing technology improves. ABB makes every effort to supply spares that should fit your requirements. Some parts of later manufacture than those you are replacing may need some adaptation to fit into your device. Our spare parts sales people need to know the type designation and serial number to supply exactly what you require.

Item number

Item numbers are shown on the drawings and lists. As you will observe, one item number is used for several items of the same general type. These items have a specific specification for each and every variant of on-load tap-changer, hence you need to specify type and serial number in addition to the item number to obtain the appropriate spare.

Name of item

The name should be specified when ordering to make sure the right type of item is ordered.



Quantity

The figures given represent the number of items included in one on-load tap-changer.

Remarks

Information pertinent to different variants of the on-load tap-changer is given in this column. Your model should be one of those shown.

Standard spare parts

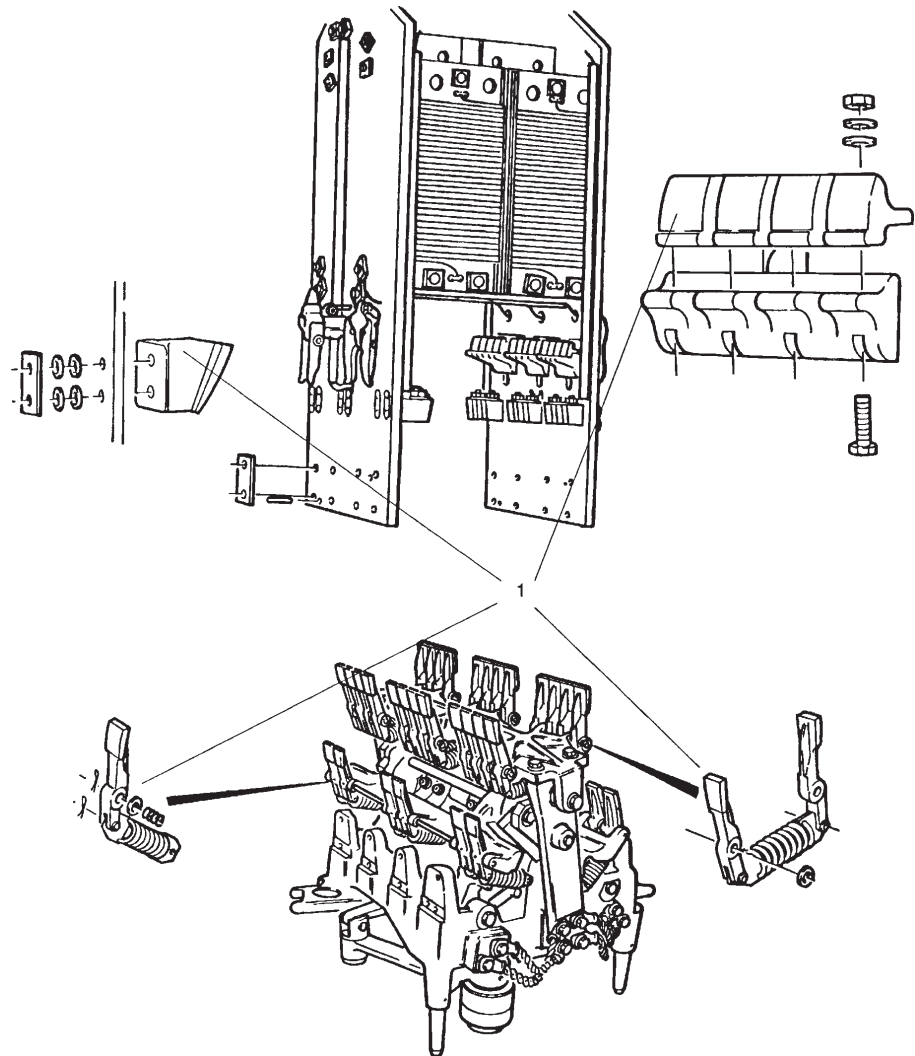
The rugged design of ABB on-load tap-changers means that only the fixed and moving contacts of the selector switch might require replacement during the lifetime of the transformer. This spare parts list tells you the part number of the contacts when ordering for your replacement requirements.

Special spare parts

If you need parts other than the contacts in the lists, our staff will be happy to assist you. Please use the illustrations in this list as a reference when discussing your requirements. As usual, the type designation and serial number are essential for ordering.

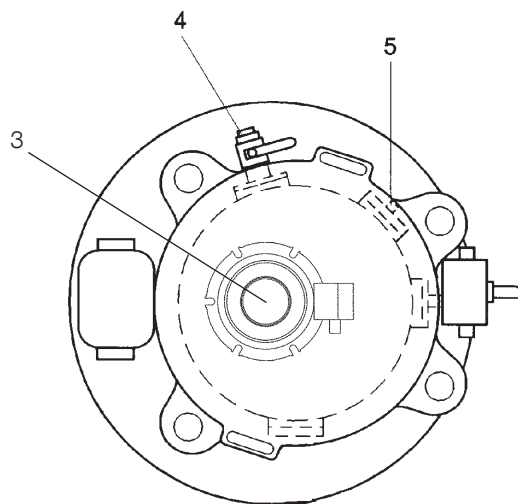
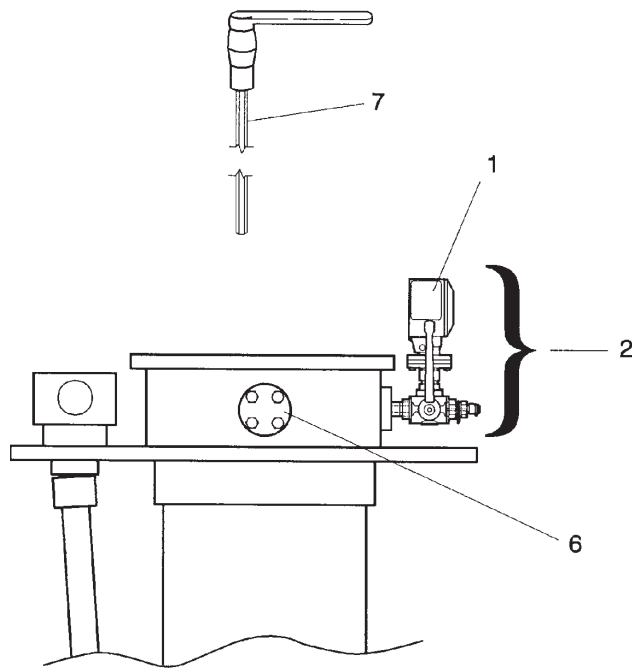
Spare parts

Item No.	Name of item	Quantity	Remarks
1	Contact set	1 set	UCL.E .../600, UCL.E .../900
		3 sets	When the step voltage is outside the envelope for the 900 A type
1	Contact set	3 sets	UCL.E .../1800, UCL.E .../2400
1	Contact set	3 sets	UCL.N .../600, UCL.N .../900
1	Contact set	3 sets	UCL.T .../600, UCL.T .../900
		9 sets	When the step voltage is outside the envelope for the 900 A type
1	Contact set	9 sets	UCL.T .../1800, UCL.T .../2400
1	Contact set	3 sets	UCL.B .../600, UCL.B .../900
	Complete diverter switch	1	
	Complete tap selector	1	



Accessories

Item No.	Name of item	Quantity	Remarks
1	Pressure relay	1	
2	Pressure relay with test valve	1	
3	Pressure relief valve	1	
4	Oil valve	1	
5	Vent	1	
6	Cover for connection to oil conservator	1	
7	Bottom valve key	1	



—
ABB AB, Components
SE-771 80 Ludvika
Sweden
E-mail: sales@se.abb.com

www.abb.com/transformercomponents

