

14

13

12

11

D

D

C

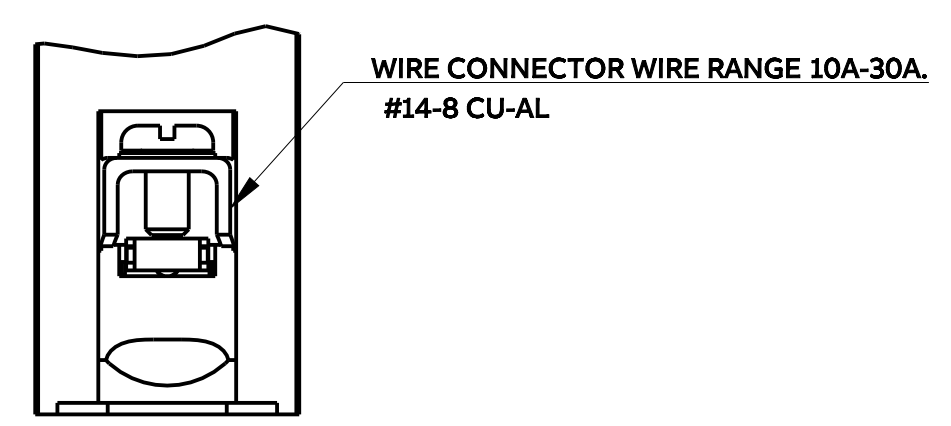
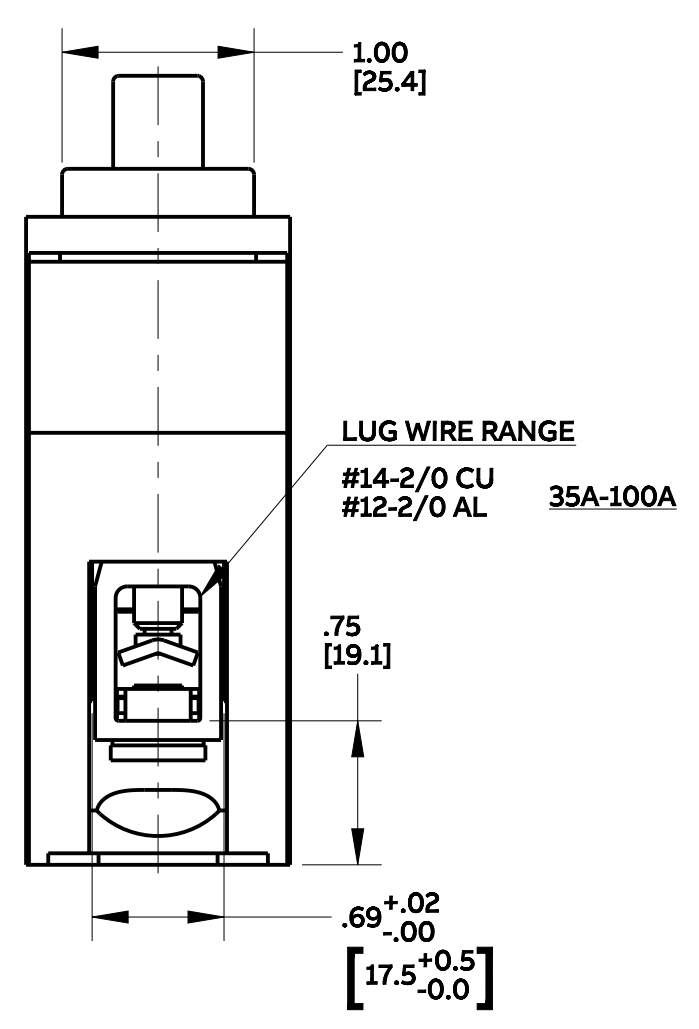
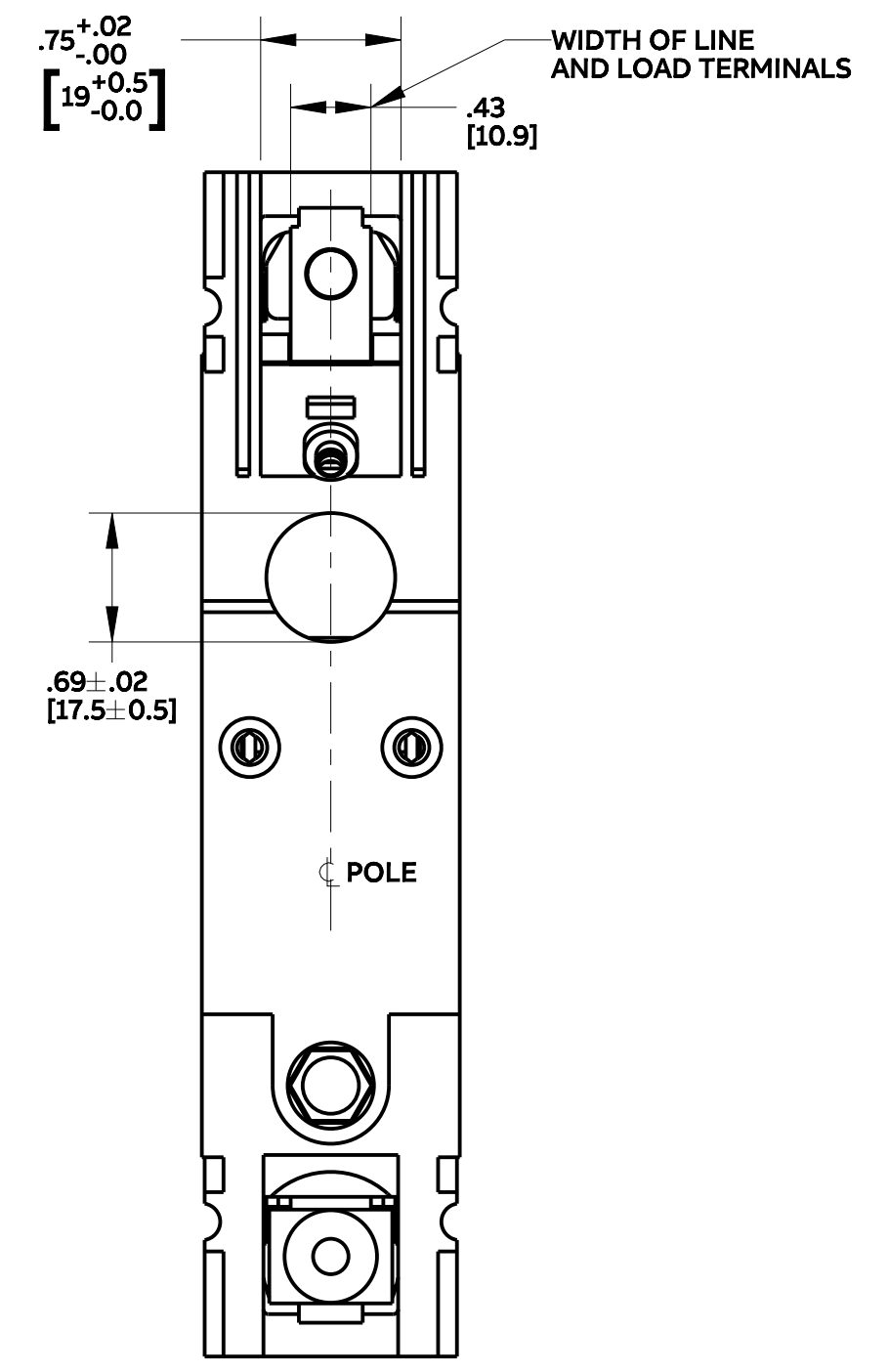
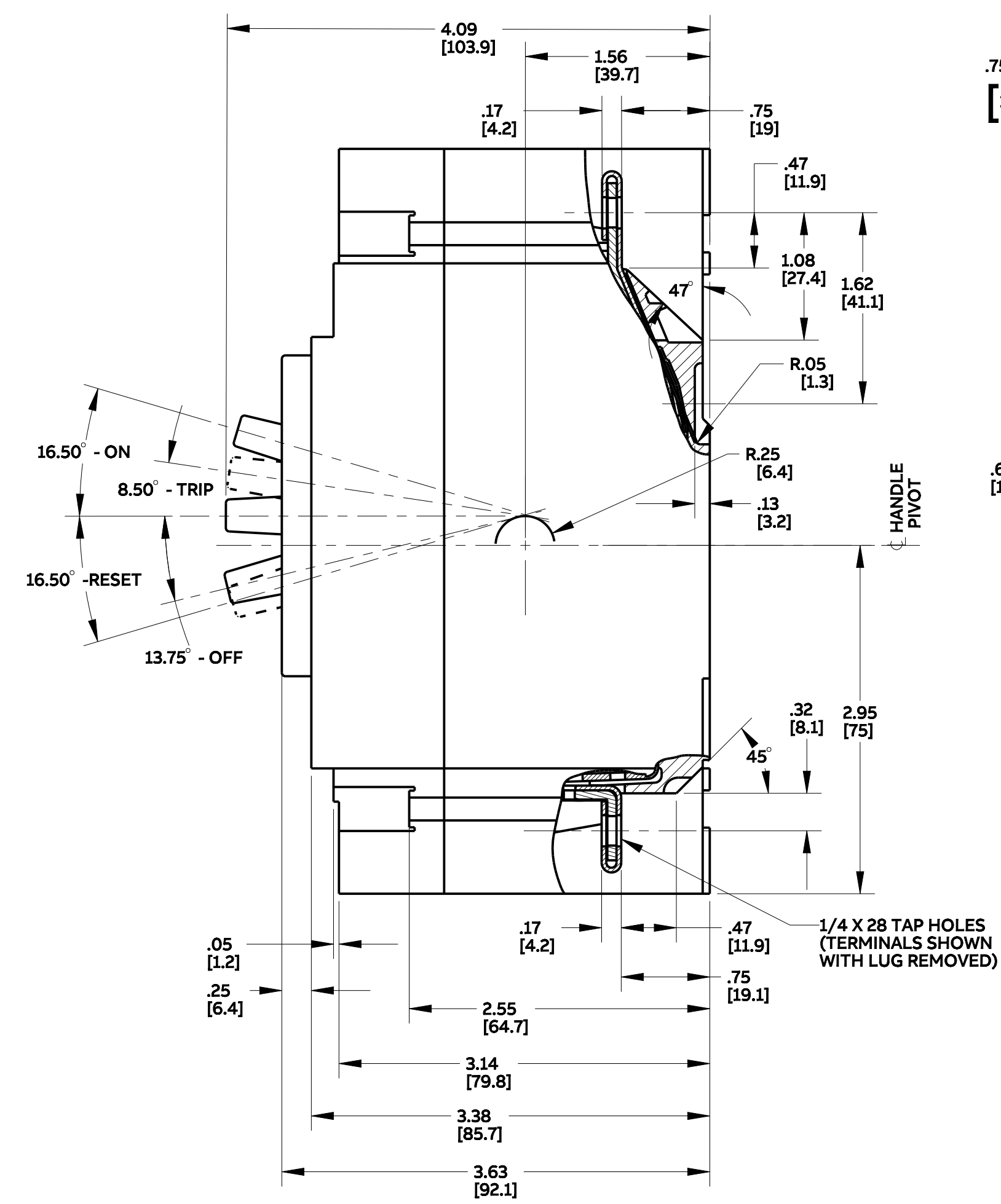
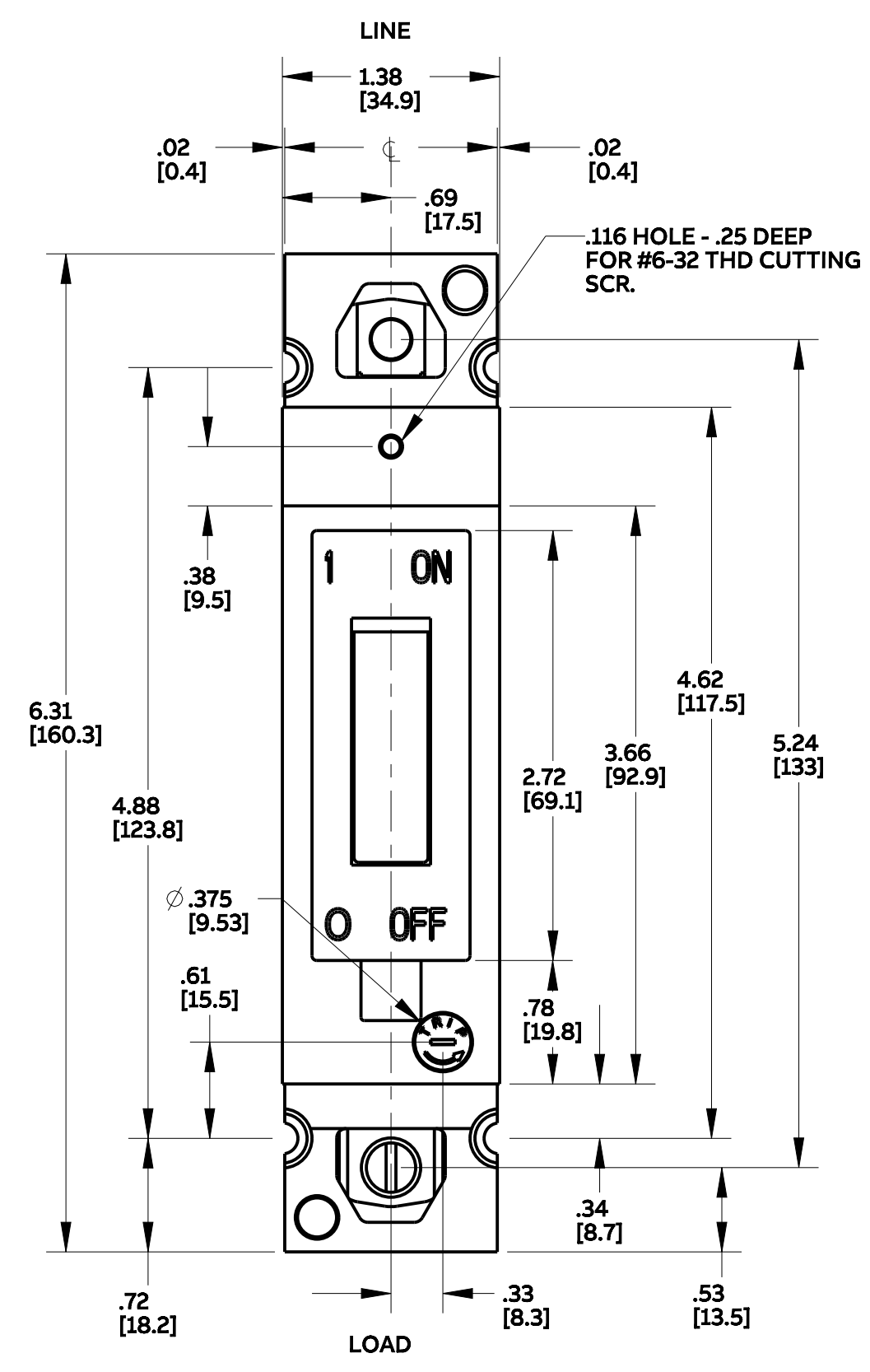
C

B

B

A

A



DUAL DIMENSIONS - INCHES [MILLIMETERS]

THIRD ANGLE	SHEET#	DWG NO.	DATE	REV
	1 of 1	139C3643SH4	10/19	9

Industrial Solutions by ABB

OUTLINE DRAWING - CIRCUIT BREAKER
TEB, TED & THED 1 POLE