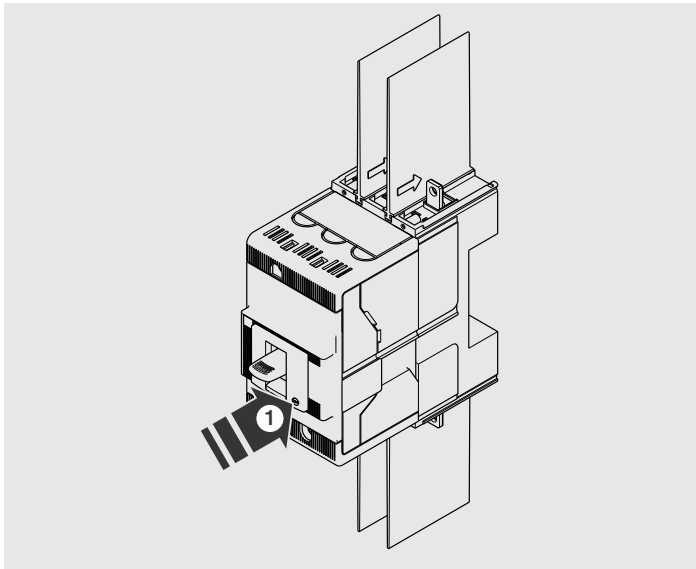


SACE Tmax XT UL

Istruzioni di installazione PF XT3 UL
 Installation instructions PF XT3 UL
 Installationsanleitung PF XT3 UL
 Instructions pour l'installation PF XT3 UL
 Instrucciones de instalación PF XT3 UL



A

XT3-UL/III-IV

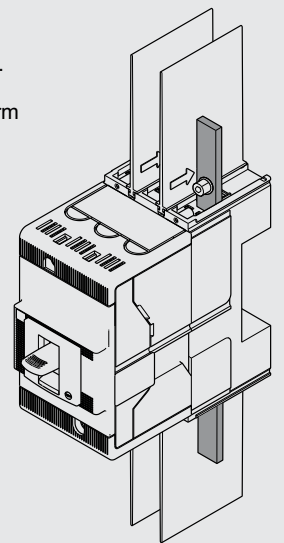
Usare cavi o barre isolate/ o eseguire prove di tipo specifiche sull' installazione.

Use cable or insulated busbars/ or perform specific type test on the installation.

Kabel oder isolierte Sammelschienen verwenden / oder die spezifische Typprüfung auf der Installation durchführen.





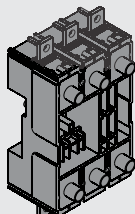

Utiliser un câble ou des barres isolées/ ou réaliser un test de type spécifique sur installation.

Utilizar un cable o barras aisladas / o efectuar una prueba de tipo específico sobre instalacion.

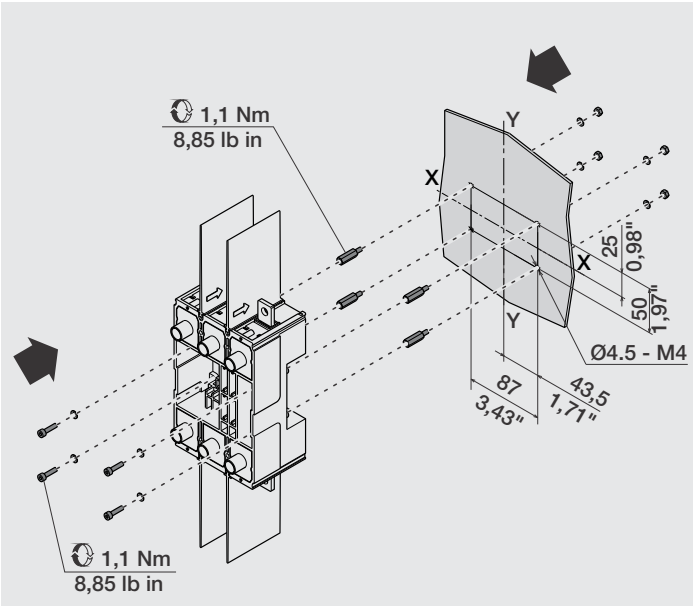


B

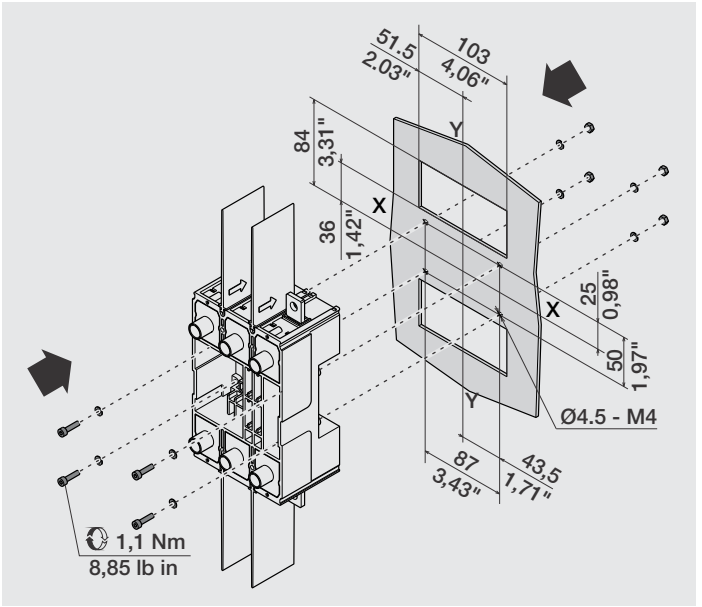
XT3-UL/III-IV

| | | | | | | |
|-----|---|---|---|---|--|---|
| |  |  Fixing at 70 mm/2,76" CH 7 |  |  CH 7 |  |  |
| | LENGHT M 16mm (0.63") M4 | M M4 | | M M4 | | |
| III | x4 | x4 | x8 | x4 | x1 | x4 |
| IV | x4 | x4 | x8 | x4 | x1 | x6 |

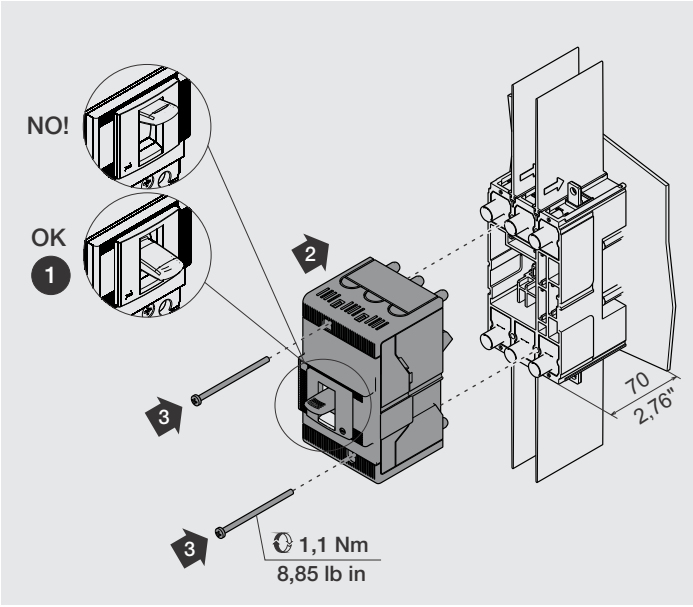
C XT3-UL/III-IV P Fixing at 70mm/2,76"



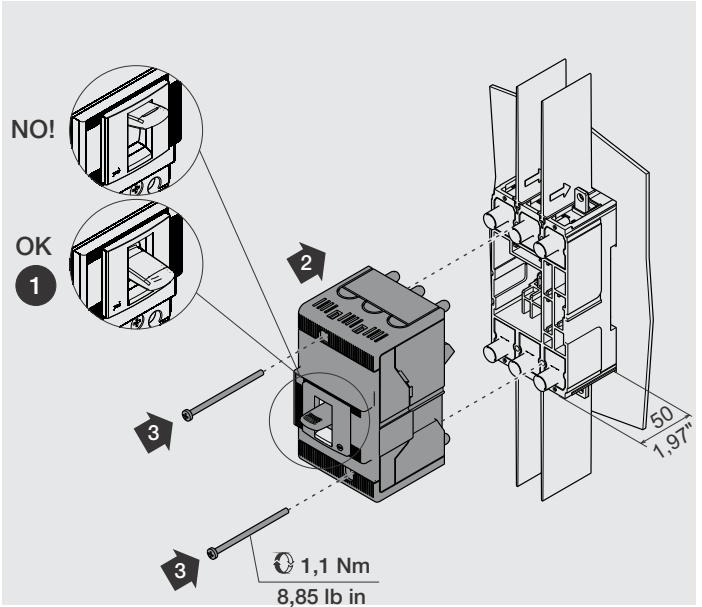
D XT3-UL/III-IV P Fixing at 50mm/1,97"



E XT3-UL/III-IV P Fixing at 70mm/2,76"



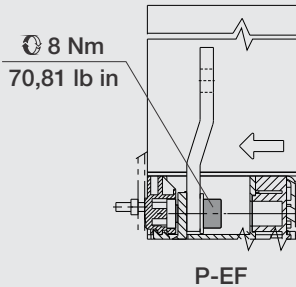
F XT3-UL/III-IV P Fixing at 50mm/1,97"



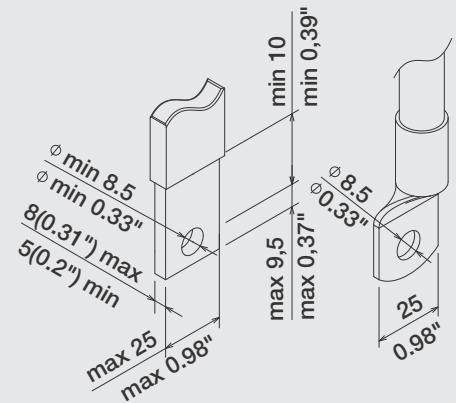
G XT3-UL/III-IV P

| XT3 WITH FLANGE CON MOSTRINA | A | | B | C | D | E |
|------------------------------------|--------------|--------------|-------------|--------------|---------------|-------------|
| | 50/1.97" | 70/2.76" | | | | |
| III | 124 4,88" | 144 5,67" | 55 2,16" | 110 4,33" | 17,5 0,69" | 55 2,16" |
| IV | 124 4,88" | 144 5,67" | 55 2,16" | 145 5,71" | 17,5 0,69" | 55 2,16" |

| XT3 WITHOUT FLANGE SENZA MOSTRINA | A | | B | C | D | E |
|---|--------------|--------------|-------------|--------------|---------------|---------------|
| | 50/1.97" | 70/2.76" | | | | |
| III-IV | 129 5,08" | 149 5,87" | 43 1,69" | 47 1,85" | 11,5 0,45" | 23,5 0,93" |
| III | 121 4,76" | 141 5,55" | 47 1,85" | 102 4,02" | 13,5 0,53" | 51 2,01" |
| IV | 121 4,76" | 141 5,55" | 47 1,85" | 137 5,4" | 13,5 0,53" | 51 2,01" |



| | |
|--------------|------|
| 1SDA066873R1 | 3pcs |
| 1SDA066874R1 | 4pcs |
| 1SDA066875R1 | 6pcs |
| 1SDA066876R1 | 8pcs |



Sul sito web:
On the website:
Zur Website:
Sur le site web:
En el sitio web:

<http://www.abb.com/abblibrary/DownloadCenter>

sono disponibili i seguenti disegni:
the following drawings are available:
folgenden Zeichnungen sind lieferbar:
sont disponibles es dessins suivants:
los siguientes módulos está disponibles:

[1SDH000720R0108](#) - P-EF III-IV

For more information please

contact:

ABB S.p.A.

ABB SACE Division

Via Baioni, 35

24123 Bergamo - Italy

Phone: +39 035 395 111

Fax: +39 035 395 306 - 433