

Selection Guide for Retrofitting kit Emax vs Otomax – Cradle in Cradle version

Retrofitting kit Emax vs Otomax – Cradle in Cradle version

Retrofitting kit Emax vs Otomax – Cradle in Cradle version **Selection guide**

Power and productivity
for a better world™



1 Preliminary Operations


Retrofitting activity allows the substitution of an obsolete device, without altering in any manner the data of original project of the existing switchgear. It is customer's responsibility to verify correspondence of functions supplied by the new product and to check if the functions are sufficient to comply with the original certification of the switchgear.

2 Related documents

For further information, please read also:

Technical informative sheet: 1SDC210220M0201

Instructions manual: 1SDH000890R0001

	2013, 24 May			Device	Emax vs Otomax Retrofitting kit	Leng EN
				Doc. Ver 2	1SDH001229R0001	page 2/4

3 Identification of the Product type

Otomax Circuit Breakers are available in different releases due to past design improvements.

In order to clearly identify the version of Otomax and order the correct retrofitting kit, it is necessary to perform some checks on the Fixed Part:

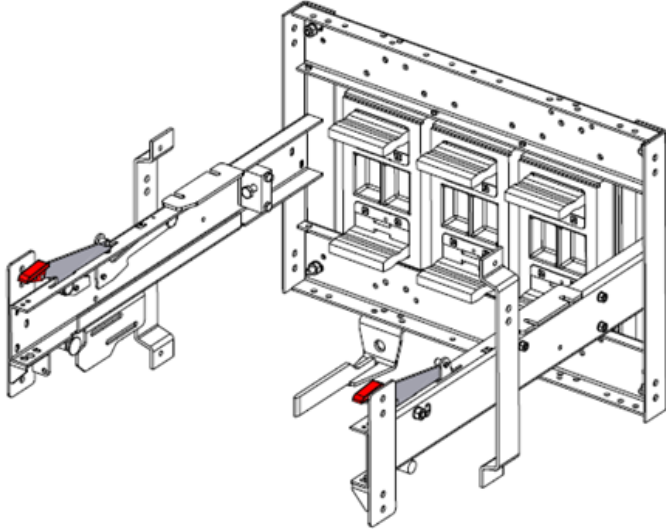
1. Year of manufacture of the Fixed Part
 - ≤1964 → only Retrofill kits
 - ≥1965 → Retrofill kits and Cradle in Cradle retrofitting kits

We suggest investigating at least when the product was produced or the switchboard was installed.

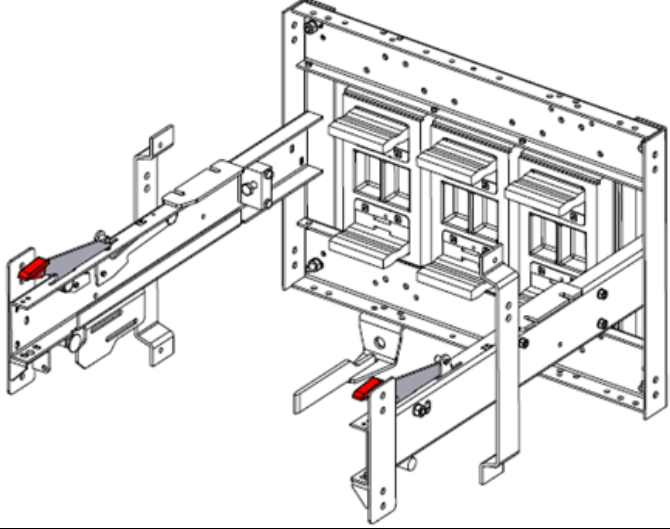
As an alternative you have to specify the fixed part serial number to ABB Service Low Voltage Breaker.

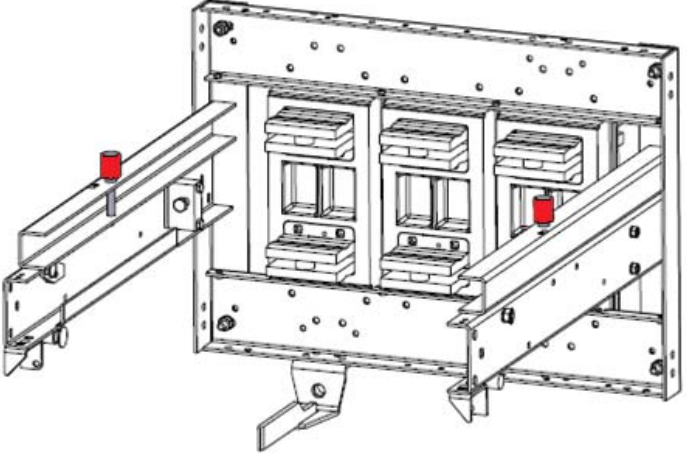
2. Locking systems: Presence of hooks or pins in the fixed part

For Otomax fixed parts manufactured from 1965 see the following instructions:

Otomax Fixed part type	Identification of the fixed part	What to do:
P1C P2C P3C 500V manufactured after April 1980 P3C 660V	<p>Check for the presence of the hooks indicated in red in the following picture:</p> 	<p>Communicate to ABB SACE Service: → Circuit breaker Fixed Part Serial Number (S/N) or at least the switchgear installation date.</p> <p><u>Product already available</u></p>

	2013, 24 May			Device	Emax vs Otomax Retrofitting kit	Leng EN
ABB				Doc. Ver 2	1SDH001229R0001	page 3/4

Otomax Fixed part type	Identification of the fixed part	What to do:
P1A (only 500V) P1B P2A P2B	Check for the presence of the hooks indicated in red in the following picture: 	Communicate to ABB SACE Service: → Circuit breaker Fixed Part Serial Number (S/N) or at least the switchgear installation date. Availability will be communicated with technical information

Otomax Fixed part type	Identification of the fixed part	What to do:
P3A P3B P3C 500V manufactured before May 1977	Check for the presence of the pins indicated in red in the following picture: 	Communicate to ABB SACE Service: → Circuit breaker Fixed Part Serial Number (S/N) or at least the switchgear installation date. → Presence of the pins (Y/N) Availability and dedicated new ordering codes will be communicated with technical information

This document replaces the previous one.

	2013, 24 May			Device	Emax vs Otomax Retrofitting kit	Leng EN
ABB				Doc. Ver 2	1SDH001229R0001	page 4/4