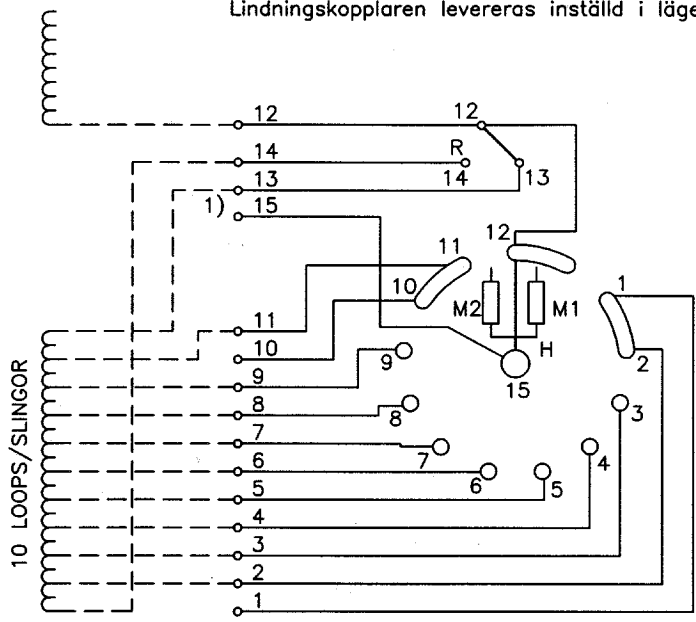


We reserve all rights in this document and in the information contained therein. Reproduction, use or disclosure to third parties without express authority is strictly forbidden. © ABB 19

Pos. Läge	R connects förbinder	H connects förbinder
1	12-13	2-15
2		3-15
3		4-15
4		5-15
5		6-15
6		7-15
7		8-15
8		9-15
9A		10-15
9	11-15	
10	12-14	12-15
10A		1-15
11		2-15
11A		3-15
12		4-15
13		5-15
14		6-15
15		7-15
16		8-15
17		9-15
18	10-15	
19		10-15

On-load tap-changer type UZER., UZFR., 19 tap positions, plus/minus switching.  
Max effective No. of turns in pos. 1.  
The tap-changer is delivered set in pos. 10.

Lindningskopplare typ UZER., UZFR., 19 lägen, plus/minus-koppling.  
Max antal effektiva varv i läge 1.  
Lindningskopplaren levereras inställd i läge 10.



A position with letter is a through position and gives the same voltage as the normal position.  
Läge med bokstav är ett genomloppsläge och ger samma spänning som normalläget.

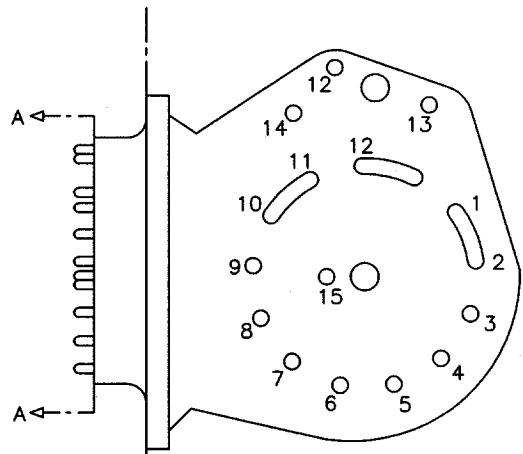
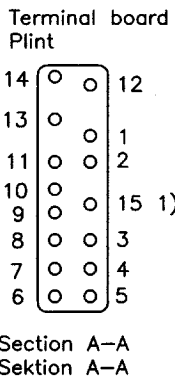
The tap-changer is shown in pos. 10  
Lindningskopplaren visad i läge 10

R Change-over selector  
Plus/minus-omkopplare

H Main contact  
Huvudkontakt

M1, M2 Transition contacts  
Motståndskontakter

1) Connections between the terminals 15 of the three phases are included in the star-point type.  
Förbindningar mellan uttag 15 i de tre faserna ingår i nollpunktsutförandet.



Transformer tank  
Transformatorlåda

Tap-changer tank  
Lindningskopplarlåda

Sheet	Year	Week	Cont
Dept	Appd	Year	Week
Rev Ind	Revision	Accepted for prod by	Description (English) CONNECTION DIAGRAM
Rev Ind	Revision	Accepted for prod by	Description (own language) KOPPLINGSSCHEMA
Design checked by	Drawn by	Issued by Dept	Year Week
M.Hedlund	L.Bergman	COM/TKO	97 33
File name	Lang	Sheet	Rev Ind
0394-6		1	Cont
5492 0394-6			-
Asea Brown Boveri			