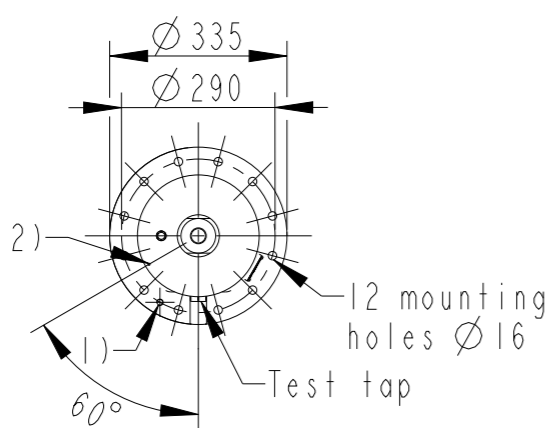
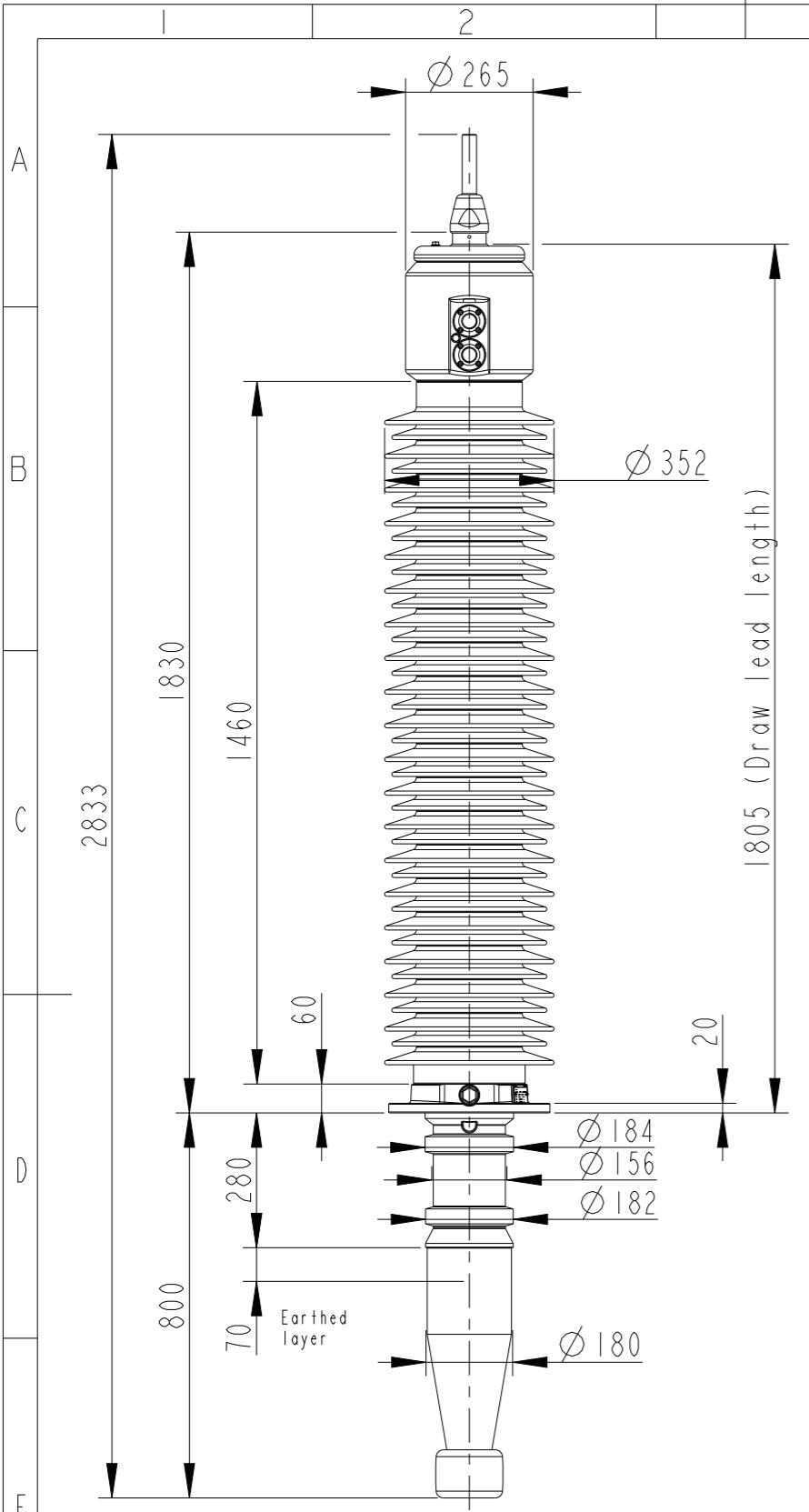
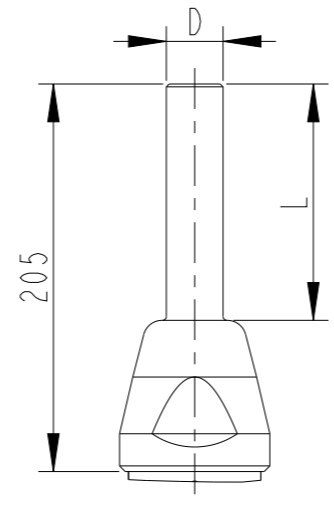


This document is issued by means of a computerized system. The digitally stored original is electronically approved. The approved document has a date entered in the "Approved"-field. A manual signature is not required.

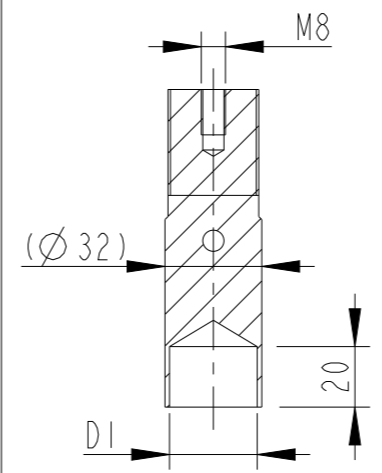
We reserve all rights in this document and in the information contained therein. Reproduction, use or disclosure to third parties without express authority is strictly forbidden.



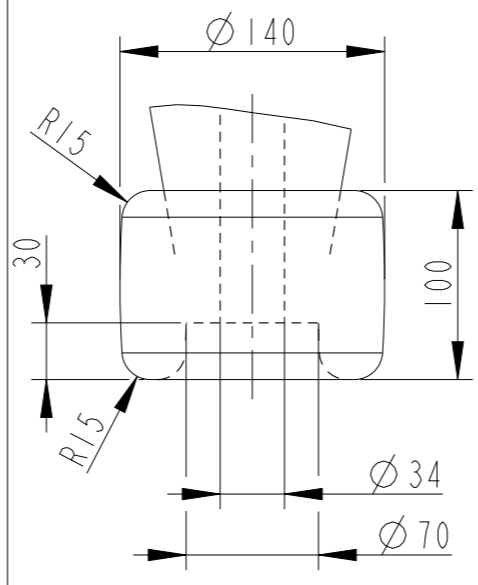
**OUTER TERMINAL**



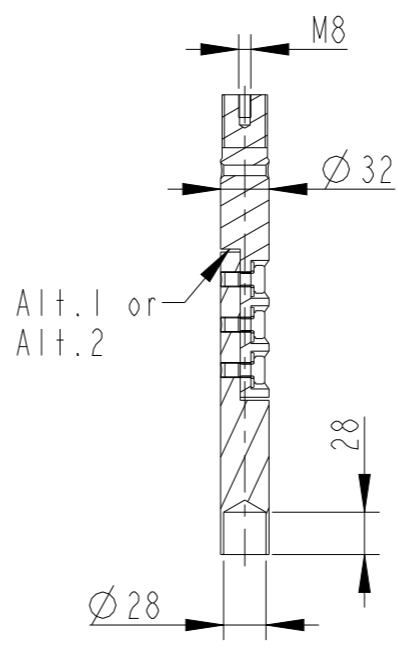
**INNER TERMINAL FOR STRANDED CABLE**



**END SHIELD**



**SOLID ROD CONNECTOR**



The solid rod can be divided either:  
 Alt.1: 20mm below the bushing flange or  
 Alt.2: 20mm below the upper end of the bottom porcelain

Revision	Revision text
F	Phase to Ground Voltage changed from 170 to 98kV

**Bushing Data:**

Rated Voltage	170	kV
Phase to Ground Voltage	$\triangle F$ 98	kV
Dry Lightning Impulse 1,2/50 $\mu$ s	750	kV
Wet power frequency AC	325	kV
Routine test Imin dry 50Hz	365	kV
Rated Current	1250	A
Creepage Distance	5420 $\pm$ 140	mm
Creepage Distance Protected	2330	mm
Mass	240	kg

**Ordering Data:**

<b>BUSHING</b>	COLOUR AIR INSULATOR	
LF123105-K	BROWN	
LF123105-L	LIGHT GREY	
LF123105-HK	BROWN Horizontal 45°-90°	
LF123105-HL	LIGHT GREY Horizontal 45°-90°	
<b>OUTER TERMINAL</b>	Material D L	
LF 170 002-B	Cu alloy, $\varnothing$ 30,125	
LF 170 001-B	Al, $\varnothing$ 30,125	
OTHER TYPES ON REQUEST		
<b>INNER TERMINAL FOR STRANDED CABLE</b>		
<b>For brazing</b>	Conductor area D1	
LF 170 011-T	up to 285mm <sup>2</sup> $\varnothing$ 29	
LF 170 011-V	Undrilled with pilot hole $\varnothing$ 5	
<b>SOLID ROD CONNECTOR</b>	Material	
LF 170 052 -BA for Alt.1	Cu	
LF 170 052 -BB for Alt.2	Cu	

1) M12 (For Earthing)

2)  $\varnothing$ 4 Oil connection hole (only valid for horizontal mounting)

ABB		Ludvika, Sweden	
No.	kV Ir	A 50/60 Hz	
Um	kV SIL	kV AC	kV
BIL	kg L	mm	✓
M	pF Tan $\delta$	x	
C1	pF Tan $\delta$	x	
C2	pF Tan $\delta$	x	

Created by Jacob Stefansson	Reviewed by Joakim Persson	Approved by Natalia Gutman
Approved 2019-12-12	Document Kind Outline Drawing	Based on doc.id Work order id Project id
Company ABB Technology Ltd	Title, Supplementary title GOB 750-1250-0.3	
Responsible Department SEABB-9AAE300824	WITH OIL LEVEL GAUGE SHORT END SHIELD	
<b>ABB</b>	Document id 2751369-225	Status Released
	Revision F	Iteration 1/1
		Sheet 1/1