

SAFETY INSTRUCTION

AF(S)09/12/16/26/30/38(Z)(B)(K)(RT) CONTACTORS & NF(Z)(B)(K)(RT) CONTACTORS RELAYS

		<p>it</p> <p>Attenzione: Tensione pericolosa! Fare riferimento alle istruzioni per l'uso. Prima di intervenire su questo dispositivo, scollegare e isolare tutte le fonti di alimentazione. Attenzione! L'installazione deve essere eseguita esclusivamente da un installatore qualificato.</p>
ar	<p>تحذير: جهد كهربائي خطراً! راجع تعليمات التشغيل. أفضل الكهرباء وقم بتأمينها قبل العمل في هذا الجهاز. تنبيه! يجب عدم التركيب إلا من خلال شخص على دراية بمجال التقنية الكهربائية.</p>	<p>It</p> <p>Įspėjimas: Pavojinga įtampa! Žr. naudojimo instrukcijas. Atjunkite ir laikinai užblokuokite maitinimą prieš dirbdami su šiuo įrenginiu. Dėmesio! Įrengti gali tik asmuo, turintis elektrotechniko patirties.</p>
bg	<p>Предупреждение: Опасно напрежение! Вижте инструкциите за работа. Изключете и блокирайте захранването преди да работите с устройството. Внимание! Да се монтира само от експерт електротехник.</p>	<p>lv</p> <p>Bridinājums: Bīstams spriegums! Skatiet darba norādījumus. Pirms sākat darbu ar šo ierīci, atvienojiet un bloķējiet strāvas padevi. Uzmanību! Uzstādīšanu drīkst veikt tikai persona ar zināšanām par elektrotehniku.</p>
cs	<p>Varování: Nebezpečné napětí! Viz návod k obsluze. Před zahájením prací na tomto zařízení odpojte a uzamkněte napájení. Pozor! Toto zařízení smí instalovat pouze osoba s elektrotechnickou odborností.</p>	<p>nl</p> <p>Waarschuwing: Gevaarlijke spanning! Raadpleeg de installatie-instructies. Koppel dit apparaat los van de stroomvoorziening voordat u werkzaamheden uitvoert. Let op! Installatie mag alleen worden uitgevoerd door een monteur met elektrotechnische expertise.</p>
da	<p>Advarsel: Farlig elektrisk spænding! Se installationsinstruktioner. Frakobl enheden, og afbryd strømforsyningen, før du arbejder med denne enhed. Giv agt! Installation må kun foretages af personer med elektroteknisk ekspertise.</p>	<p>no</p> <p>Advarsel: Farlig spenning! Se i bruksanvisningen. Koble fra og steng av strømmen før du arbeider på denne enheten. Forsiktig! Montering skal kun utføres av kvalifiserte personer med elektrokompetanse.</p>
de	<p>Warnung: Gefährliche Spannung! Siehe Installationsanleitung. Vor dem Arbeiten Gerät ausschalten und von der Spannungsversorgung trennen. Achtung! Installation nur durch elektrotechnische Fachkraft.</p>	<p>pl</p> <p>Ostrzeżenie: Niebezpieczne napięcie! Patrz: instrukcja instalacji. Przed rozpoczęciem wykonywania pracy z tym urządzeniem odłącz i zablokuj zasilanie. Uwaga! Montaż może wykonywać wyłącznie osoba posiadająca doświadczenie elektrotechniczne.</p>
el	<p>Προειδοποίηση: Επικίνδυνη τάση! Ανατρέξτε στις οδηγίες λειτουργίας. Αποσυνδέστε και απομονώστε την παροχή ισχύος προτού ξεκινήσετε τις εργασίες σε αυτήν τη συσκευή. Προσοχή! Η εγκατάσταση πρέπει να γίνεται μόνο από αδειούχο ηλεκτρολόγο εγκαταστάτη.</p>	<p>pt</p> <p>Aviso: Tensão perigosa! Consulte as instruções de instalação. Desconecte e desligue a energia elétrica antes de trabalhar nesse dispositivo. Atenção! A instalação deve ser feita apenas por uma pessoa com especialidade eletrotécnica.</p>
en	<p>Warning: Hazardous voltage! Refer to installation instructions. Disconnect and lock out power before working on this device. Attention! Installation by person with electrotechnical expertise only.</p>	<p>ro</p> <p>Avertisment: Tensiune electrică periculoasă! Consultați instrucțiunile de utilizare. Deconectați și închideți sursa de energie înainte de a lucra cu acest dispozitiv. Atenție! Instalarea trebuie realizată doar de către o persoană cu expertiză electrotehnică.</p>
es	<p>Advertencia: ¡Tensión peligrosa! Consulte las instrucciones de instalación. Antes de trabajar con este dispositivo, desconecte y bloquee la corriente. ¡Atención! La instalación debe ser realizada únicamente por un técnico electricista.</p>	<p>ru</p> <p>Предупреждение: Опасное электрическое напряжение! Обратитесь к инструкциям по монтажу. Отключите электропитание и обеспечьте безопасность перед началом работ. Внимание! Монтаж должен выполняться только специалистом по электротехническим работам.</p>
et	<p>Hoiatus: Elektrilöögi oht! Lisateavet vaadake kasutusjuhendist. Enne selle seadmega töötamist ühendage lahti ja lukustage toide. Tähelepanu! Seadet tohib paigaldada ainult elektrotehnilise kogemusega isik.</p>	<p>sk</p> <p>Výstraha: Nebezpečné napätie! Pozrite si návod na použitie. Pred začatím prác na tomto zariadení odpojte a zablokujte napájanie. Pozor! Inštaláciu smie vykonávať len osoba s odbornými znalosťami v oblasti elektrotechniky.</p>
fi	<p>Varoitus: Vaarallinen jännite! Katso asennusohje. atkaise virta ja estä virran kytkeminen lukituksella ennen töiden aloittamista. Huomio! Asennuksen saa suorittaa vain henkilö, jolla on kokemusta sähkötekniikasta.</p>	<p>sl</p> <p>Opozorilo: Nevarna napetost! Glejte navodila za uporabo. Pred delom na tej napravi izklopite in zaklenite električno napajanje. Pozor! Namestitev sme izvesti samo elektrotehnični strokovnjak.</p>
fr	<p>Avertissement: Tension dangereuse! Consultez les consignes d'installation. Débranchez et verrouillez l'alimentation électrique avant d'entreprendre des travaux sur cet appareil. Attention! L'installation doit être effectuée uniquement par une personne ayant une expertise en électrotechnique.</p>	<p>sv</p> <p>Varning: Livsfarlig spänning! Se i bruksanvisningen. Frånkoppla och blockera anläggning eller en anläggningsdel innan arbete utförs. Obs! Får endast installeras av behörig elektriker.</p>
hr	<p>Upozorenje: Opasan napon! Pogledajte upute za ugradnju. Odspojite i isključite struju prije rada na ovom uređaju. Pažnja! Ugradnja je dopuštena samo osobama stručnim u području elektrotehnike.</p>	<p>tr</p> <p>Uyarı: Tehlikeli gerilim! Montaj talimatlarına bakın. Bu cihaz üzerinde çalışmadan önce elektriği kesin ve kilitleyin. Dikkat! Yalnızca elektroteknik uzmanlığa sahip kişiler tarafından kurulabilir.</p>
hu	<p>Figyelmeztetés: Veszélyes feszültség! Lásd a használati utasítást. Válassza le és zárja ki az áramellátást, mielőtt a berendezésen dolgozni kezd. Figyelem! Az üzembe helyezést csak elektrotechnikai szakértelemmel rendelkező személy végezheti el.</p>	<p>zh</p> <p>警告：高压危险！请参见操作手册。操作本设备前请断开并锁定电源。注意！安装仅限专业电工人员。</p>

DISMANTLING INSTRUCTIONS

AF(S)09/12/16/26/30/38(Z)(B)(K)(RT) CONTACTORS & NF(Z)(B)(K)(RT) CONTACTORS RELAYS

Disclaimer

The information presented in this publication does not form part of any quotation or contract, is believed to be accurate and reliable and may be changed without notice. No liability will be accepted by the publisher for any consequences of its use. Publication thereof does not convey nor imply any license under patent - or other industrial or intellectual - property rights.

Target audience

This document is intended for ABB customers and for professional recyclers.

Package

You can recycle all materials used in the package. To avoid pollution caused by unnecessary transportation, the factory does not take back used packages. Contact your local ABB office for package recycling instructions if needed. ABB recommends package recycling as it preserves raw materials and reduces waste being landfilled.

Product manuals and sales brochures

To save natural resources and reduce paper waste, all product manuals are available in ABB Library and on the Internet.

Dismantling

You can dismantle the contactor manually. The chapter is divided in several sections on basis of the dismantling method.

Disposal

The main parts of the contactor can be recycled to preserve natural resources and energy. Product parts and materials should be dismantled and separated. Generally, all metals, such as steel, aluminum, copper and its alloys, and precious metals can be recycled as material. Plastics, rubber, cardboard, and other packaging material can be used in energy recovery.

To aid recycling, plastic parts are marked with an appropriate identification code. Contact your local ABB distributor for further information on environmental aspects. End of life treatment must follow international and national regulations.

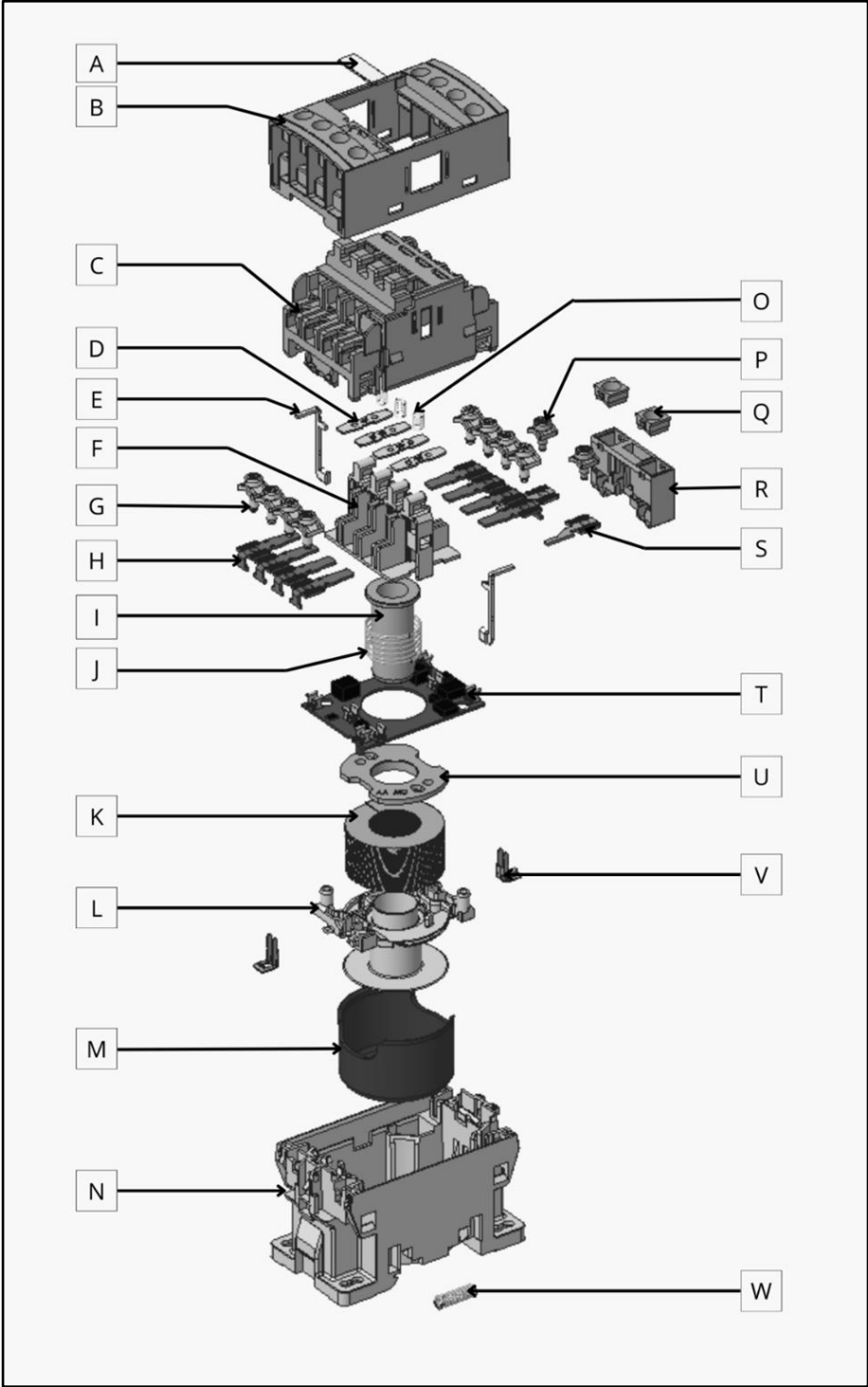
Recycling information in accordance with the WEEE

The product is marked with the wheelie bin symbol. It indicates that at the end of life the product should enter the recycling system. You should dispose of it separately at an appropriate collection point and not place it in the normal waste stream.

The figure below shows the wheelie bin symbol indicating separate collection for electrical and electronic equipment (EEE). The horizontal bar underneath the crossed-out wheelie bin indicates that the equipment has been manufactured after the Directive came into force in 2005. The wheelie bin symbol is added to the type designation label of the product since 2017.

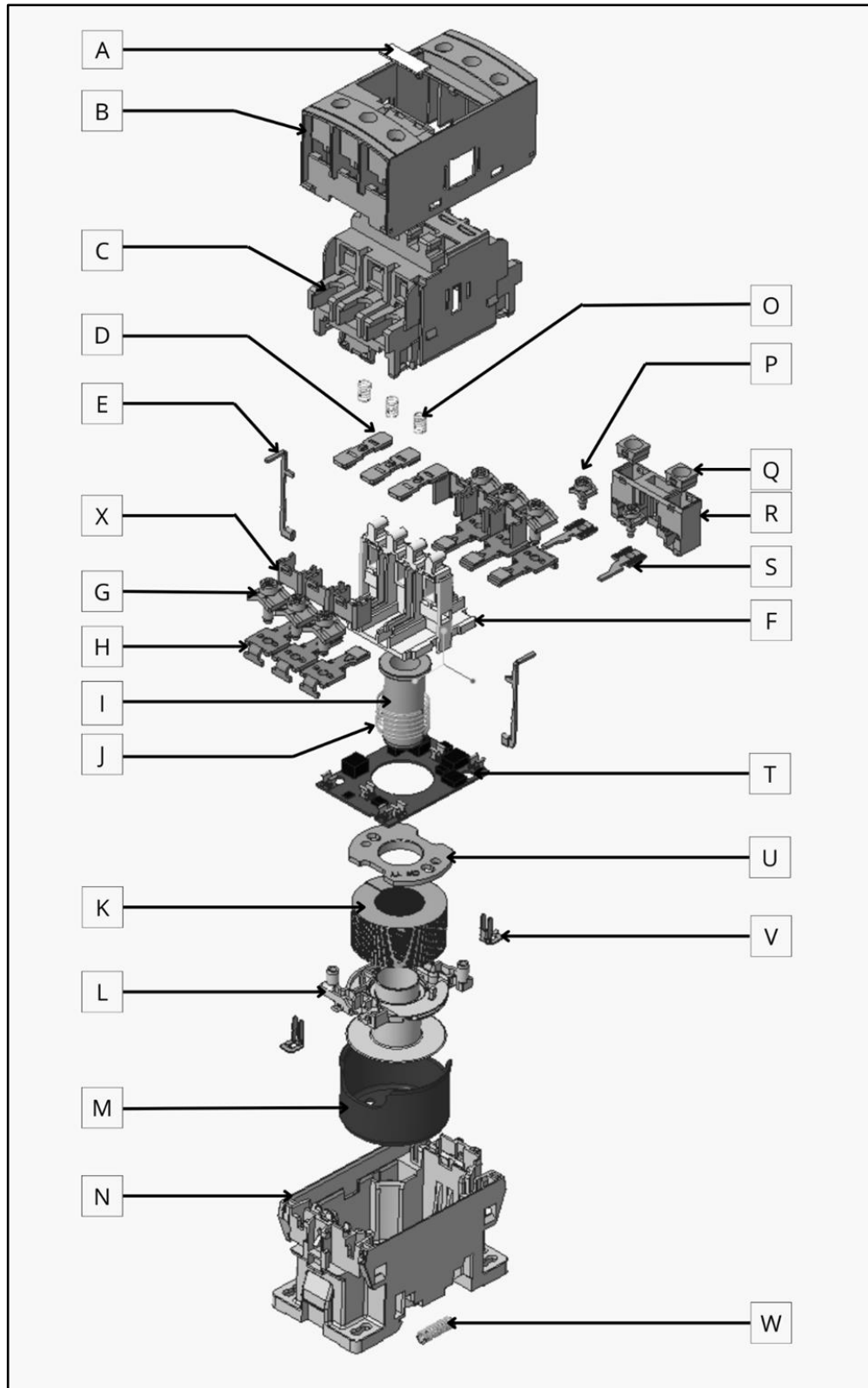


Materials of AF(S)09/12/16 (Z)(B)(K)(RT) CONTACTORS & NF(Z)(B)(K)(RT) CONTACTORS RELAYS



No.	Parts	Qty.	Category	Materials
A	Label	1	Plastic	Thermoplastic
B	Cover	1	Plastic	Thermoplastic
C	Contact housing	1	Plastic	Thermoplastic
D	Moving contact	4	Metal	Copper and silver
E	Coil connection	2	Metal	Steel
F	Contact carrier	1	Plastic	Thermoplastic
G	Clamp screw	8	Metal	Steel
H	Fixe contact	8	Metal	Copper and silver
I	Core	1	Metal	Steel
J	Return spring	1	Metal	Stainless steel
K	Coil	1	Metal	Copper
L	Coil frame	1	Plastic	Thermoplastic
M	Magnet base	1	Metal	Steel
N	Base housing	1	Plastic	Thermoplastic
O	Contact spring	4	Metal	Stainless steel
P	Coil module clamp screw	2	Metal	Steel
Q	Cover coil terminal	2	Plastic	Thermoplastic
R	Cover module	1	Plastic	Thermoplastic
S	Module connection	2	Metal	Steel
T	PCBA	1	Electronic	Various materials
U	Magnet washer	1	Metal	Steel
V	Coil module connection	2	Metal	Copper
W	Spring din rail	1	Metal	Stainless steel

Materials of AF(S) 26/30/38(Z)(B)(K)(RT) Contactors



No.	Parts	Qty.	Category	Materials
A	Label	1	Plastic	Thermoplastic
B	Cover	1	Plastic	Thermoplastic
C	Contact housing	1	Plastic	Thermoplastic
D	Moving contact	3/4	Metal	Copper and silver
E	Coil connection	2	Metal	Steel
F	Contact carrier	1	Plastic	Thermoplastic
G	Clamp screw	6/8	Metal	Steel
H	Fixe contact	6/8	Metal	Copper and silver
I	Core	1	Metal	Steel
J	Return spring	1	Metal	Stainless steel
K	Coil	1	Metal	Copper
L	Coil frame	1	Plastic	Thermoplastic
M	Magnet base	1	Metal	Steel
N	Base housing	1	Plastic	Thermoplastic
O	Contact spring	3/4	Metal	Stainless steel
P	Coil module clamp screw	2	Metal	Steel
Q	Cover coil terminal	2	Plastic	Thermoplastic
R	Cover module	1	Plastic	Thermoplastic
S	Module connection	2	Metal	Steel
T	PCBA	1	Electronic	Various materials
U	Magnet washer	1	Metal	Steel
V	Coil module connection	2	Metal	Copper
W	Spring din rail	1	Metal	Stainless steel
X	Arc chute	6/8	Metal	Steel

Products with requirements for special treatments.

AF(S)09/12/16/26/30/38(Z)(B)(K)(RT) CONTACTORS & NF(Z)(B)(K)(RT) CONTACTORS RELAYS

No.	Parts	Comment
T	Printed circuit board assembled	Separate waste treatment.

—
ABB Electrification France
11, rue d'Arsonval
69680 Chassieu
France

new.abb.com/low-voltage

—
Further information:



—
Revision
A

Revision date
2024/05/27

Document number
1SBC101080M6801

—
© Copyright 2022 ABB.
All rights reserved.
Specifications subject
to change without notice.