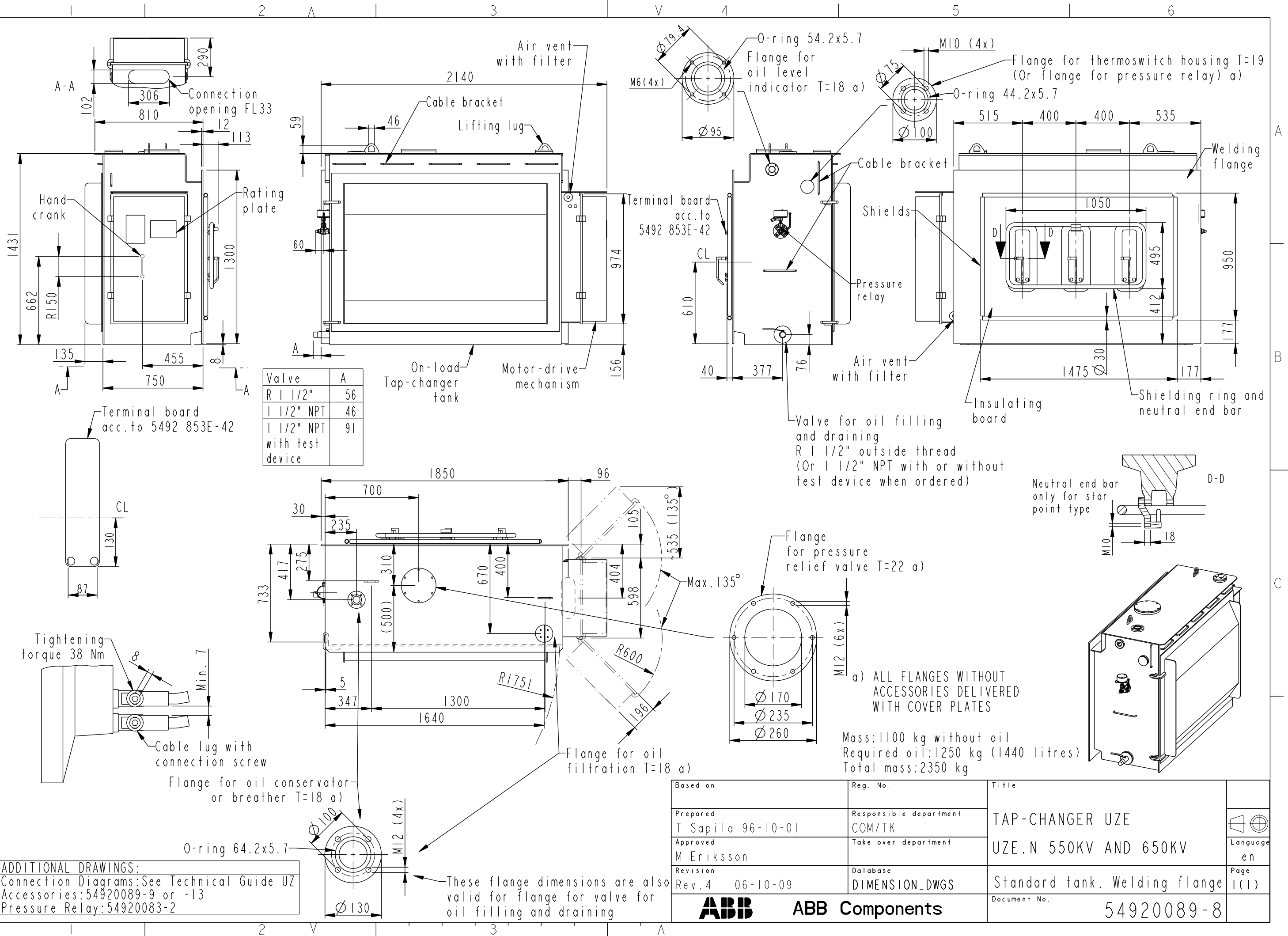


We reserve all rights in this document and in the information contained therein. Reproduction, use or disclosure to third parties without express authority is strictly forbidden. ©ABB



Based on	Reg. No.	Title	
Prepared T Sapila 96-10-01	Responsible department COM/TK	TAP-CHANGER UZE	Language en
Approved M Eriksson	Take over department	UZE.N 550KV AND 650KV	
Revision Rev. 4 06-10-09	Database DIMENSION_DWGS	Standard tank. Welding flange	Page 1(1)
ABB ABB Components		Document No. 54920089-8	