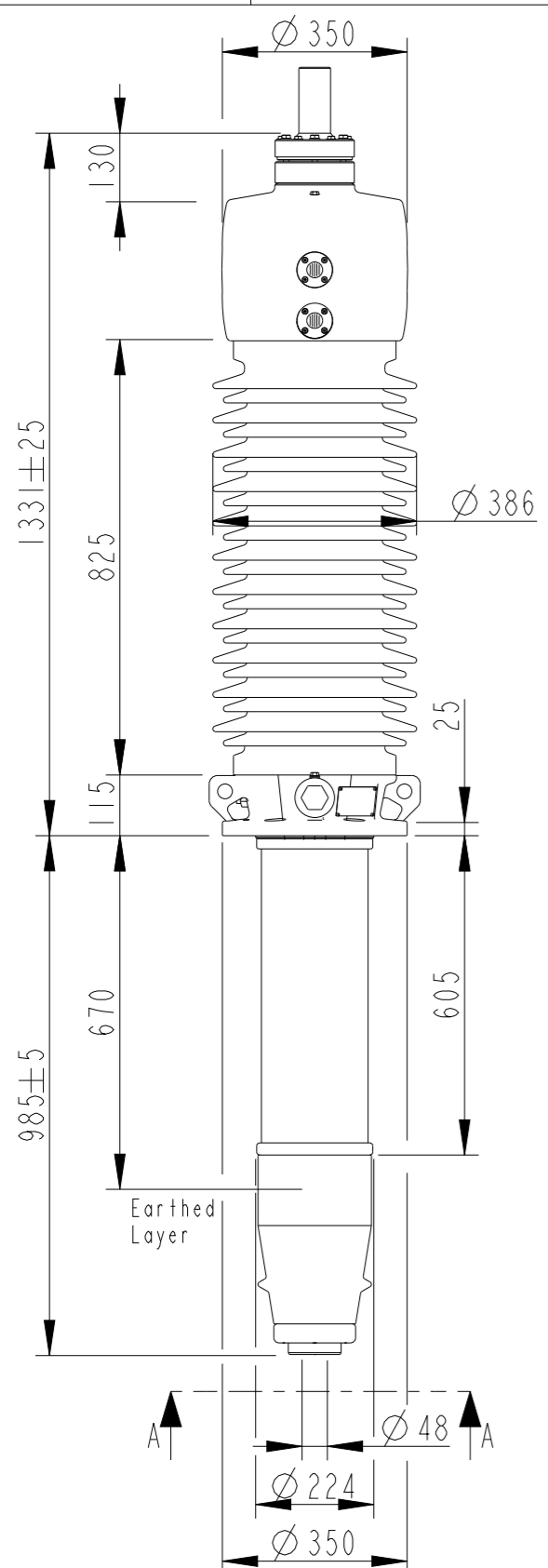


This document is issued by means of a computerized system. The digitally stored original is electronically approved. The approved document has a date entered in the "Approved"-field. A manual signature is not required.

The information contained in this document has to be kept strictly confidential. Any unauthorized use, reproduction, distribution or disclosure to third parties are strictly forbidden. ABB reserves all rights regarding Intellectual Property Rights. © Copyright 2013 ABB. All rights reserved.



Bushing Data:	
Rated Voltage	72.5 kV
Phase to-earth Voltage	42 kV
Dry Lightning Impulse I,2/50µs	380 kV
Wet Switching Impulse	300 kV
Wet Power frequency AC	170 kV
Routine test Imin dry 50Hz	175 kV
Rated Current	3150 A
Creepage Distance	2955 mm
Mass	250 kg

Ordering Data:				
BUSHING	COLOUR AIR INSULATOR			
IZSC902072-AAB	BROWN			
IZSC902072-BAB	LIGHT GREY			
OUTER TERMINAL				
	Max. Rated H2	D2		
	Current (A)(mm)	(mm)		
LF170 073-A	Al	2500 125 60		
LF170 073-B	Cu	4000 125 60		
LF170 073-G	Cu/Ag	4000 125 60		
LF170 073-L	Cu/Sn	4000 125 60		
LF170 073-BA	Cu/Ag	3000 125 2"-12UN		
LF170 073-AA	Cu	5000 125 96		
END-SHIELD				
LF170 046-U	EPOXY INSULATED			
LF170 046-UP	INSULATED WITH 3 mm PRESSBOARD			
DRAW ROD SYSTEM				
LF170 059	LOWER DRAW ROD WITH NI=4 OR NI=6			
LF170 057	UPPER DRAW ROD			
INNER TERMINAL				
	D3	D9	Cond.area	Current (A)
	(mm)	(mm)(mm ²)	IEC	IEEE
LF170 056-E	0 *)	45 -	-	-
LF170 056-D	40	45 600	1600	1360

*) WITH PILOT HOLE D=5

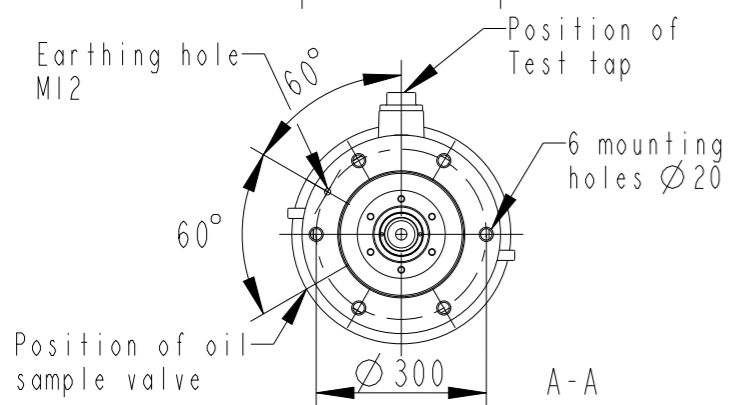
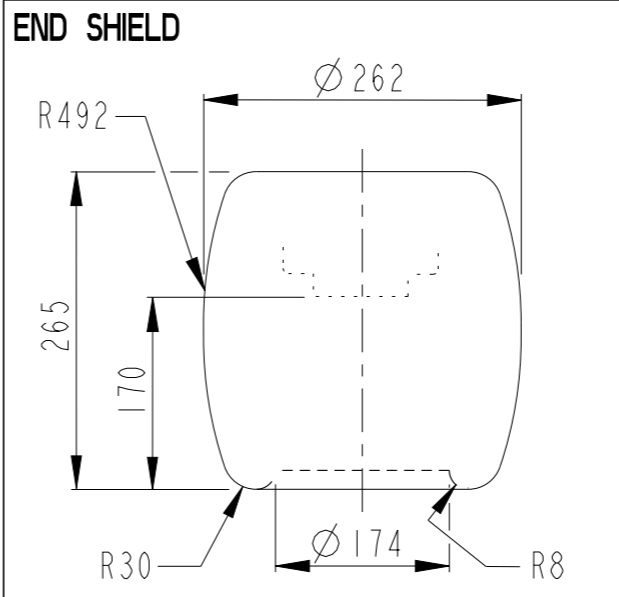
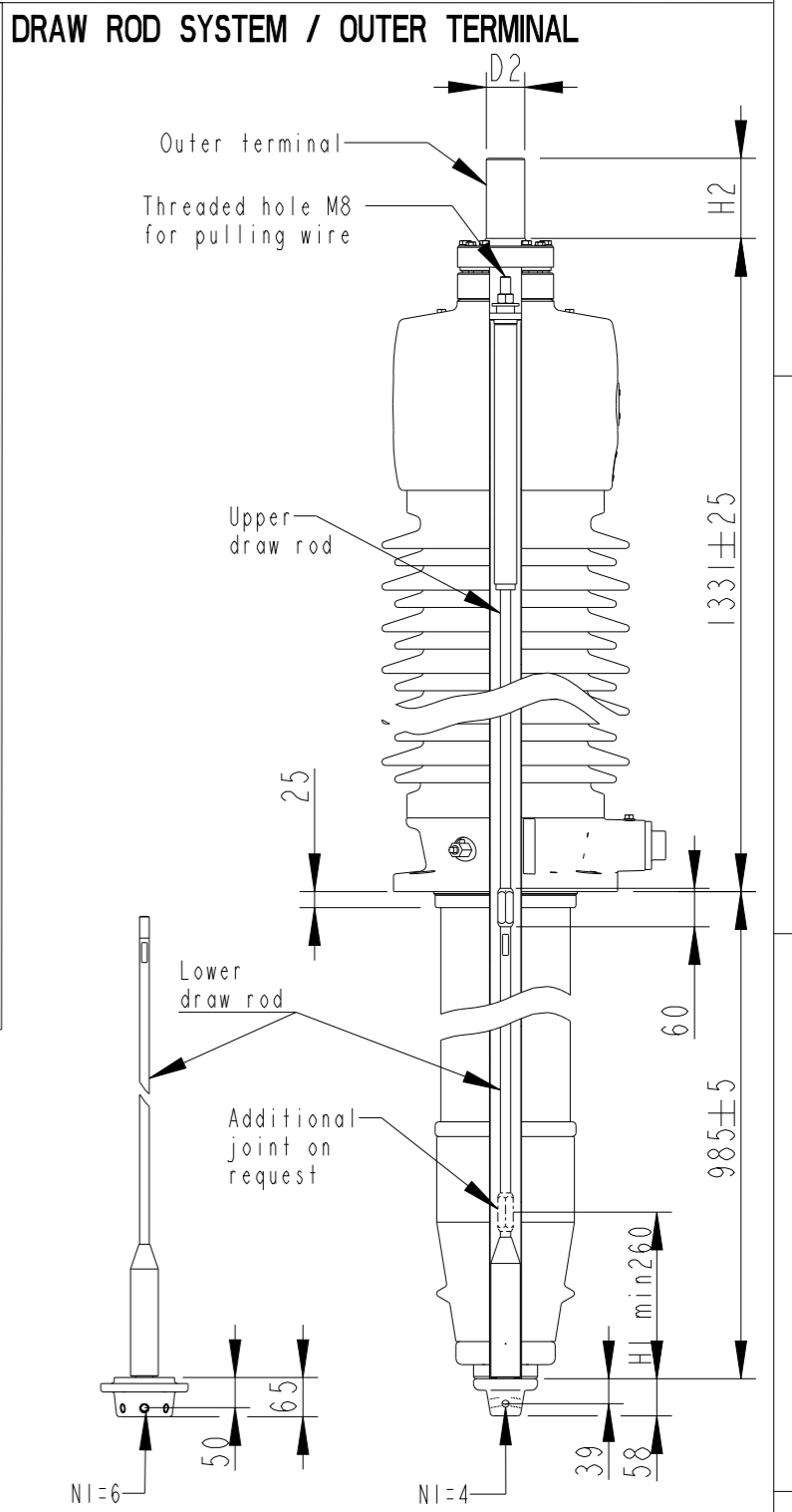
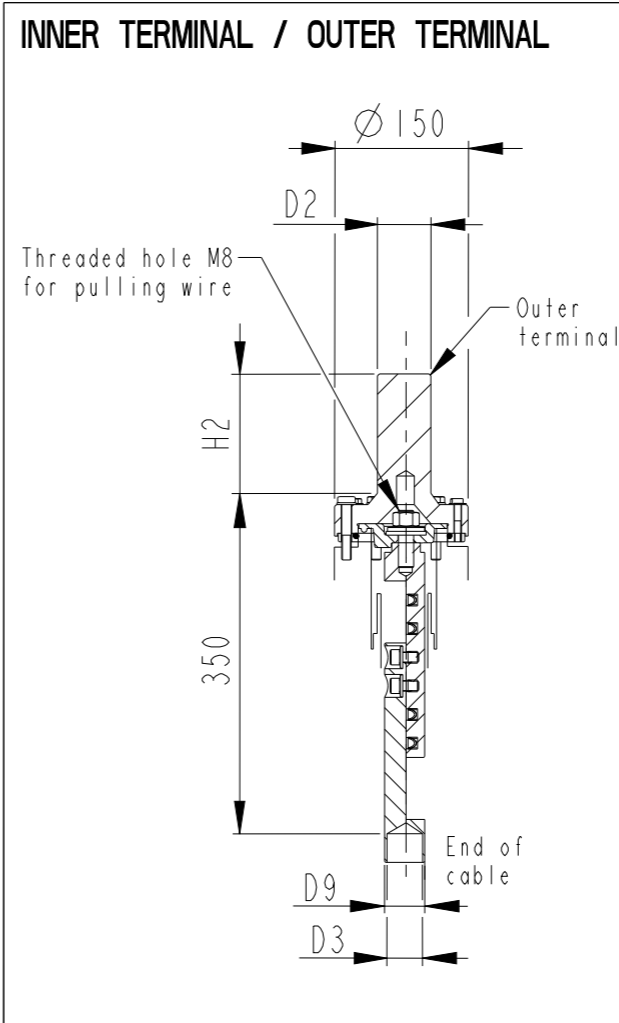


ABB		Ludvika, Sweden	
No.			
Um/Uy	kV Ir	A	50/60 Hz
BIL	kV SIL	kV AC	kV
M	kg L	mm	°
C1	pF Tanδ		z
C2	pF Tanδ		z

Prepared	Responsible department	Title	
Kalaivanan R	2017-06-21	PGCO/BK	
Modified by	Take over department	GOE 380-300-3150-0.6	Language 82
Kalaivanan R	2017-07-03		
Approved by	Used in product	GOE 380-300-3150-0.6	Sheet no.
Natalia Gutman	2017-07-03		
Revision	Order	Document no.	No. Shits. (1)
F	Drawing display updated	2751369-302	

