

MEDIUM VOLTAGE PRODUCT

TDMC 6.0 C

Indoor voltage transformers



Parameters	Values
Highest voltage for equipment	24 kV
Power frequency test voltage, 1 min.	50 kV
Lightning impulse test voltage	125 kV
Max. rated burden, classes	50/0.2 - 150/0.5 - 200/1 VA/cl
Thermal burden	600 VA
Ambient temperature	-35 to +55°C
Coating	Metal coating with protective paint

The transformer may be mounted in any position. The transformers are fixed by four screws, The M8 bolted earthing clamp is located on the transformer base plate. The secondary, sealable terminal board is covered with a transparent cover made of plastic material.

Description

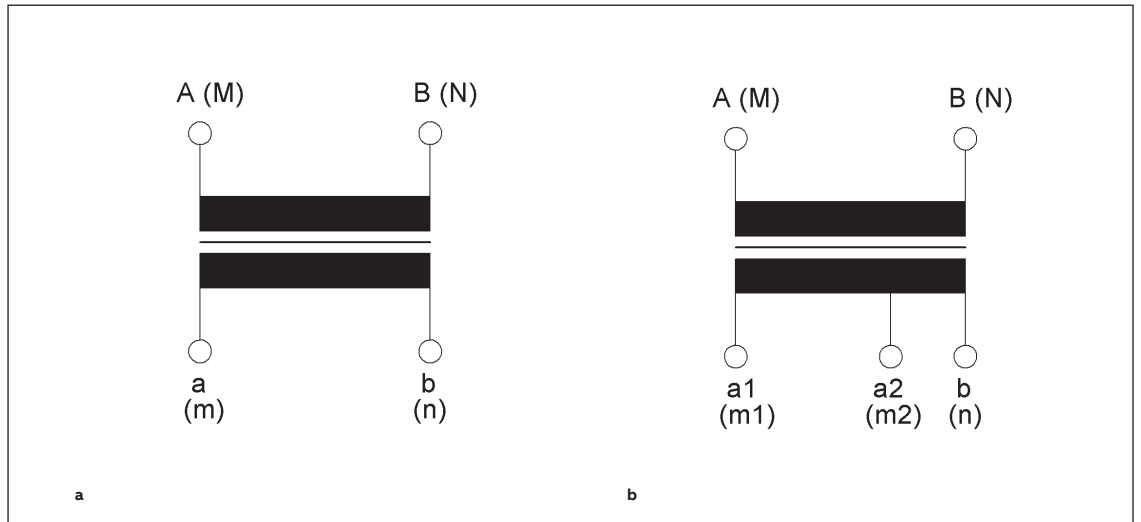
The TDMC 6.0 C double-pole metal coated voltage transformers are cast in epoxy resin having metallic coating to provide touch proof solution. Voltage transformers are designed mainly for insulation voltages of 17.5 kV and 24 kV.

If no other value is required the transformers are manufactured with a voltage factor of $1.2 \times U_n$. All the parts of the primary winding of the transformer are insulated from the earth, including the terminals, to an insulation level identical with the rated insulation level. When operating in a three-phase system the primary inlets of the transformer are connected across the respective lines, to the phase-to-phase voltage, mostly in the „V“ type of connection. The majority of the transformers is equipped with one secondary winding, intended to be used for either the measurement or protection purposes. One of the terminals of each secondary winding has to be earthed during the transformer operation. If not required otherwise, the secondary winding is lead out into a cast secondary terminal board.

—
01 Marking of
the voltage trans-
formers outlets
a Double-pole insulated
transformer
b Double-pole insulated
transformer with a tap

—
02 Primary connection
acc. to EN 50181:2010
- interface C

—
03 Secondary connec-
tion with M5 terminals



01

**Primary connection acc. to EN 50181:2010
- interface C**



02

Secondary connection with M5 terminals

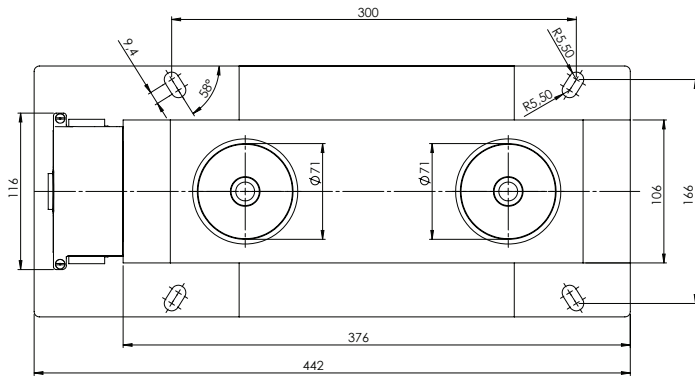
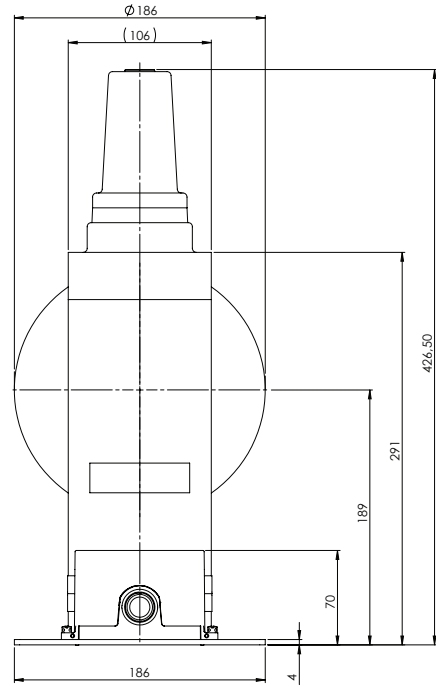
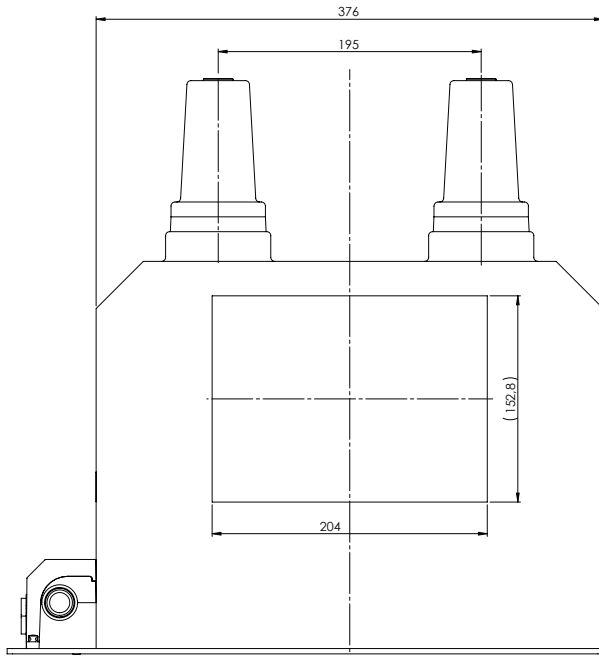


03

Dimensional Drawing

TDMC 6.0 C

Weight: appr. 40 kg
 Creepage Distance A-B: 418 mm
 Creepage Distance A(B)- \perp : 116 mm
 Primary connection acc. to EN 50181:2010 - interface C



Drawing n.:

026554

CONTACT US

ABB s.r.o.
ELDS Brno
Videnska 117, 619 00 Brno,
Czech Republic
Tel.: +420 547 152 021
+420 547 152 854
Fax: +420 547 152 626
E-mail: kontakt@cz.abb.com

NOTE

We reserve the right to make technical changes or modify the contents of this document without prior notice. With regard to purchase orders, the agreed particulars shall prevail. ABB does not accept any responsibility whatsoever for potential errors or possible lack of information in this document.

We reserve all rights in this document and in the subject matter and illustrations contained therein. Any reproduction, disclosure to third parties or utilization of its contents - in whole or in parts - is forbidden without prior written consent of ABB.

Copyright© 2021 ABB
All rights reserved