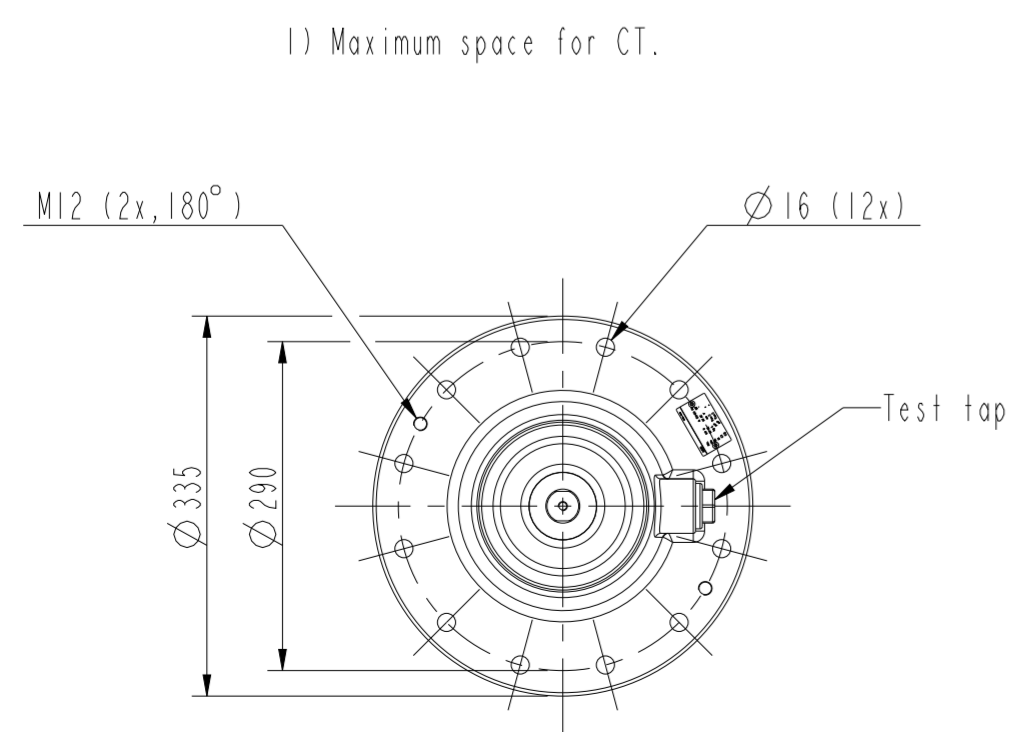
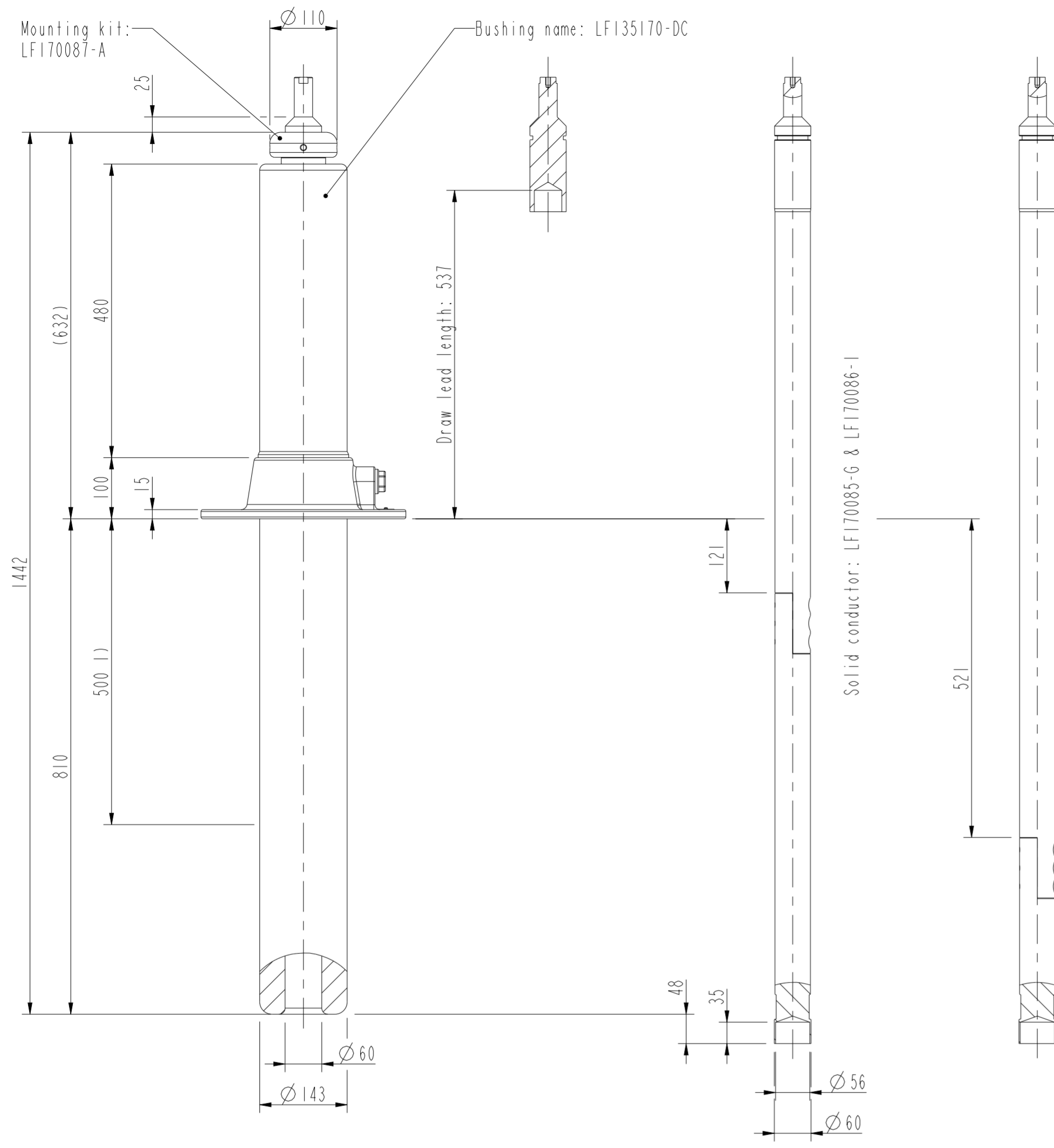


This document is issued by means of a computerized system. The digitally stored original is electronically approved. The approved document has a date entered in the "Approved"-field. A manual signature is not required.

We reserve all rights in this document and in the information contained therein. Reproduction, use or disclosure to third parties without express authority is strictly forbidden.

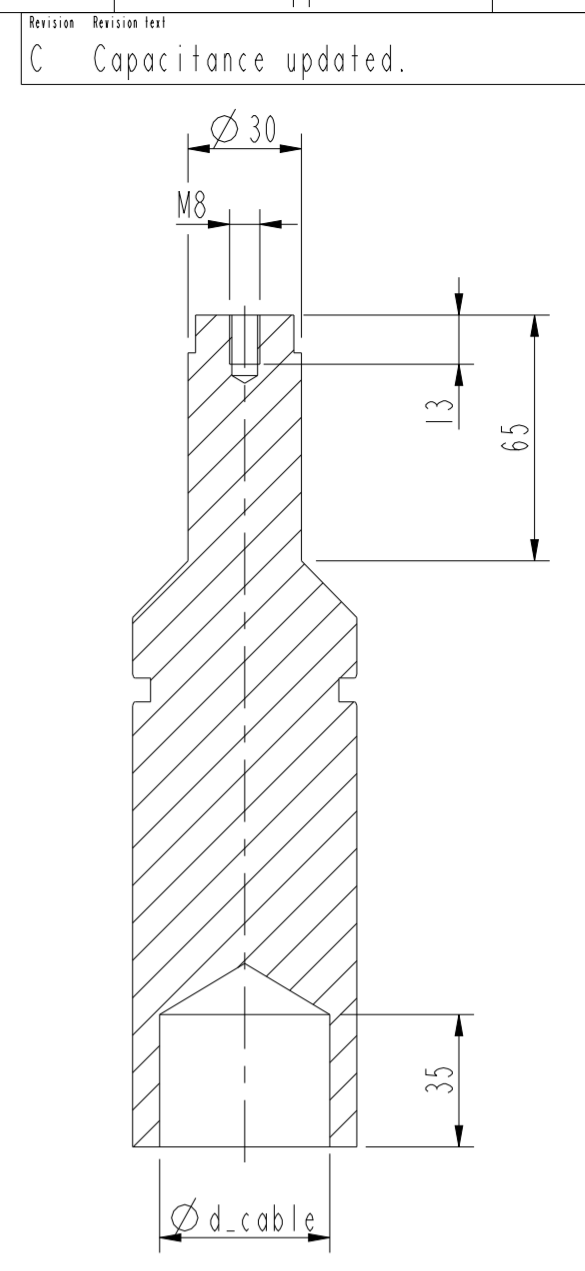


Conductor, upper (Cu)	
Catalog No.	MASS
LF170085-G	20
LF170085-I	29

Conductor, lower (Cu)	
Catalog No.	MASS
LF170086-G	6
LF170086-I	15

Mass: 3.5 kg

Terminal (Cu)	
Catalog No.	d_cable
LF170084-A	5
LF170084-B	11
LF170084-C	13
LF170084-D	15
LF170084-E	18
LF170084-F	30
LF170084-G	42
LF170084-H	45
LF170084-I	50
LF170084-J	54
LF170084-K	5



ELECTRICAL DATA acc. to IEC 60137			
Ratings	Rated voltage	170	kV
	Max. phase to earth voltage	98	kV
	Max. phase to earth voltage, temporary	170	kV
	Max. current with Cu-conductor	2000	A
	Max. current with stranded cable 1200 mm ²	1600	A
	Dry lightning impulse	750	kV
	Chopped lightning impulse	865	kV
Routine test	Dry power frequency	365	kV
Capacitance	Nominal capacitance	340	pF

GENERAL DATA acc. to IEC 60137			
Mass	Mass bushing	25	kg
Cantilever load	Cantilever test load, according to IEC 60137	4000	N
	Max. cantilever operating load, bushing	2000	N
Ambient air temperature according to IEC 60137		-40 to +40	°C
Mounting and service instructions		2750515-138	

ELECTRICAL DATA acc. to ANSI C57.19.00			
Ratings	Insulation class	161	kV
	Rated max. line to ground voltage	102	kV
	Max. current with Cu-conductor	2000	A
	Max. current with stranded cable 1200 mm ²	1600	A

Dim. requirements acc. to C57.19.01 not fulfilled

ABB		Ludvika, Sweden	
GSA 170-00/2000/0.5		LF135170-DC	
No.			
Um	170 kV	Ir	2000 A
BIL	750 kV SIL		kV AC 365 kV
M	25 kg	L	810 mm
∠ 0-90°			
C1	pF	Tan δ	x
C2	pF	Tan δ	x

Approved	2021-01-21	Document Kind	Dimension Drawing	Based on doc. id	Work order id	Project id
Company	ABB Technology Ltd	Title, Supplementary title				
Responsible Department	SEABB-9AAE300824	Dimension drawing GSA 170-00 2000/0.5				
ABB		Document id	2751365-DC	Status	Released	Revision
				Iteration	C	Sheet
				1/1		