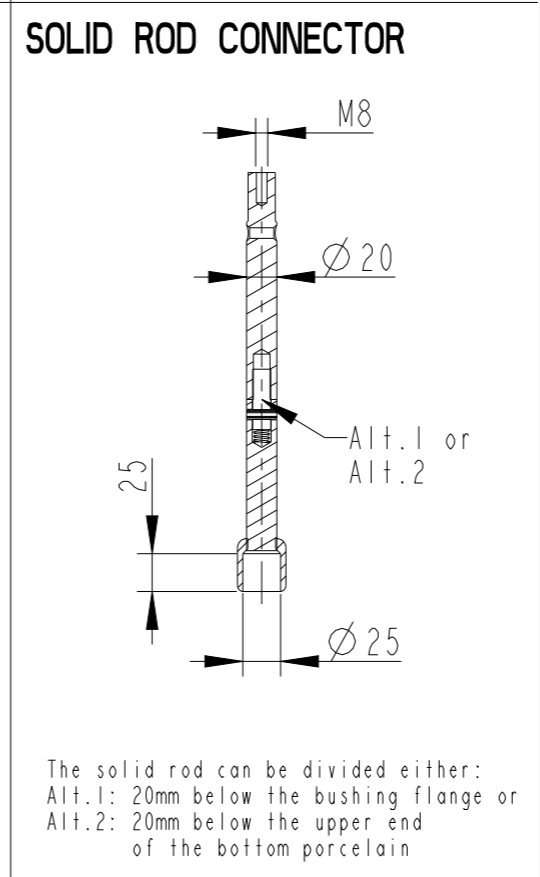
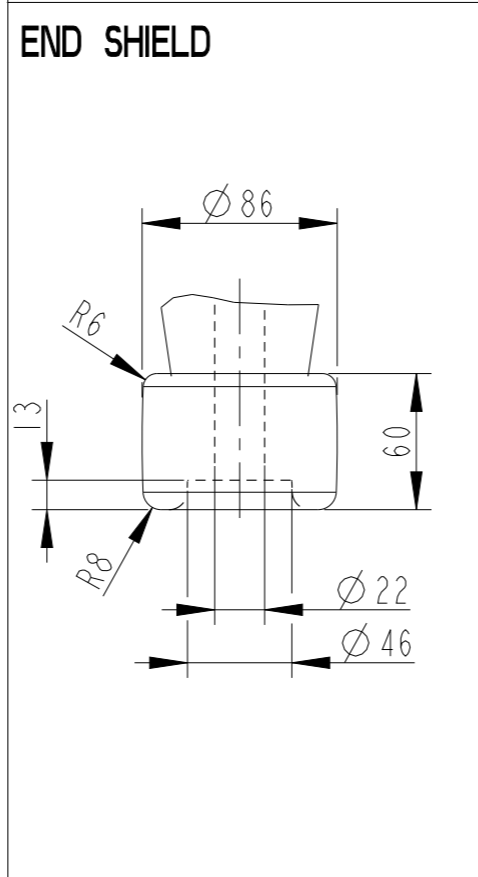
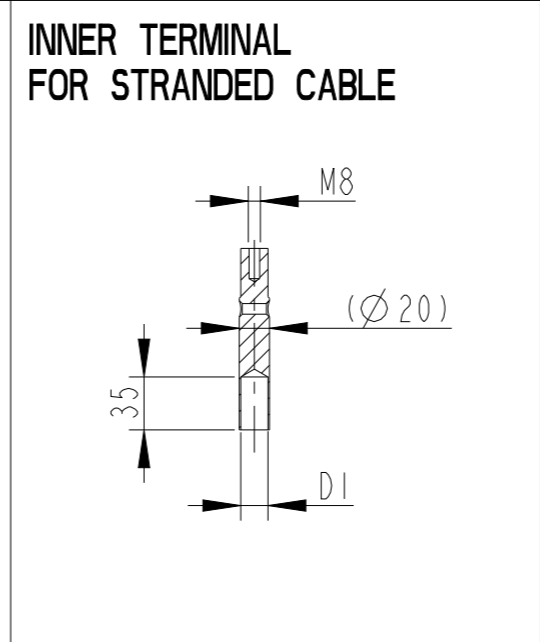
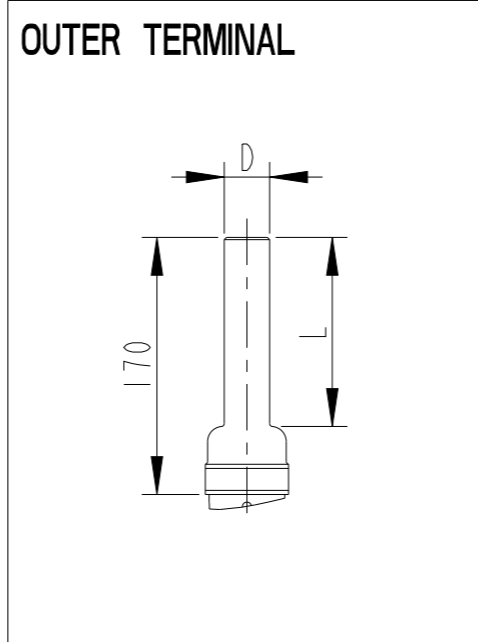
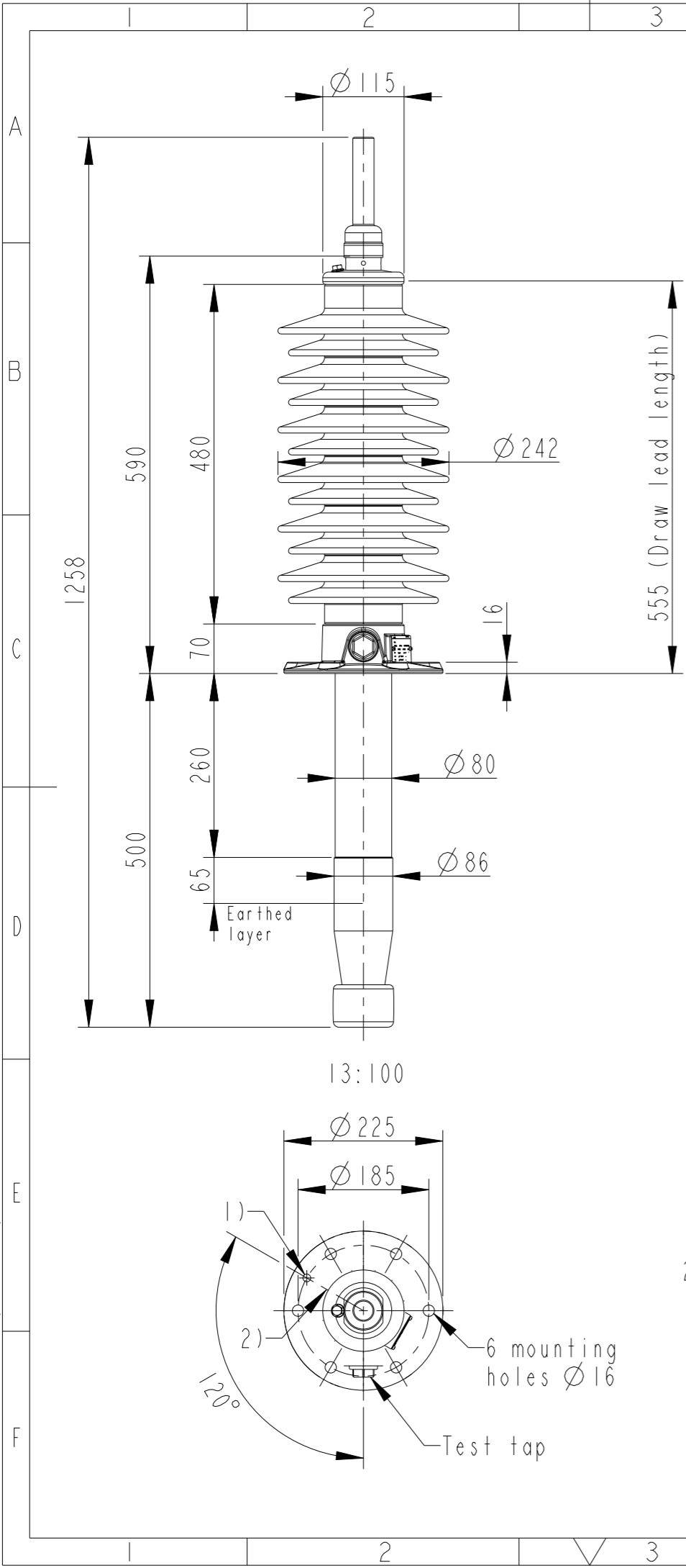


This document is issued by means of a computerized system. The digitally stored original is electronically approved. The approved document has a date entered in the "Approved"-field. A manual signature is not required.

We reserve all rights in this document and in the information contained therein. Reproduction, use or disclosure to third parties without express authority is strictly forbidden.

Revision	Revision text
D	Phase to Ground Voltage changed from 52kV to 30kV



Bushing Data:

Rated Voltage	52	kV
Phase to Ground Voltage	Δ 30	kV
Dry Lightning Impulse 1,2/50 μ s	250	kV
Wet power frequency AC	105	kV
Routine test Imin dry 50Hz	120	kV
Rated Current	800	A
Creepage Distance	1690 \pm 50	mm
Creepage Distance Protected	650	mm
Mass	32	kg

Ordering Data:

BUSHING	COLOUR	AIR INSULATOR
LF123015-K	BROWN	
LF123015-L	LIGHT GREY	
LF123015-HK	BROWN	Horizontal 45°-90°
LF123015-HL	LIGHT GREY	Horizontal 45°-90°
OUTER TERMINAL	Material	D L
LF 170 002-A	Cu alloy, \varnothing 30,125	
LF 170 001-A	Al, \varnothing 30,125	
OTHER TYPES ON REQUEST		
INNER TERMINAL FOR STRANDED CABLE		
For brazing	Conductor area	D1
LF 170 011-S	up to 150mm ²	\varnothing 18
LF 170 011-U	Undrilled with pilot hole	\varnothing 5
For crimping or brazing	Conductor area	D1
LF 170 010-M	50mm ²	\varnothing 11
LF 170 010-N	70mm ²	\varnothing 13
LF 170 010-L	95mm ²	\varnothing 15
SOLID ROD CONNECTOR	Material	
LF 170 019-D for Alt.1	Cu	
LF 170 019-B for Alt.2	Cu	

- 1) M12 (For Earthing)
- 2) \varnothing 4 Oil connection hole (only valid for horizontal mounting)

ABB		Ludvika, Sweden	
No.	Um	kV Ir	A 50/60 Hz
BL	kV SIL	kV AC	kV
M	kg L	mm	✓
C1	pF	Tan δ	x
C2	pF	Tan δ	x

Created by Jacob Stefansson	Reviewed by Joakim Persson	Approved by Natalia Gutman
Approved 2019-09-04	Document Kind Outline Drawing	Based on doc.id Work order id Project id
Company ABB Technology Ltd	Title, Supplementary title GOB 250-800-0.3 WITHOUT OIL LEVEL GAUGE STD END SHIELD	
Responsible Department SEABB-9AAE300824	Document id 2751369-111	Status Approved
Revision D		Iteration 3
Sheet 1/1		