

14

13

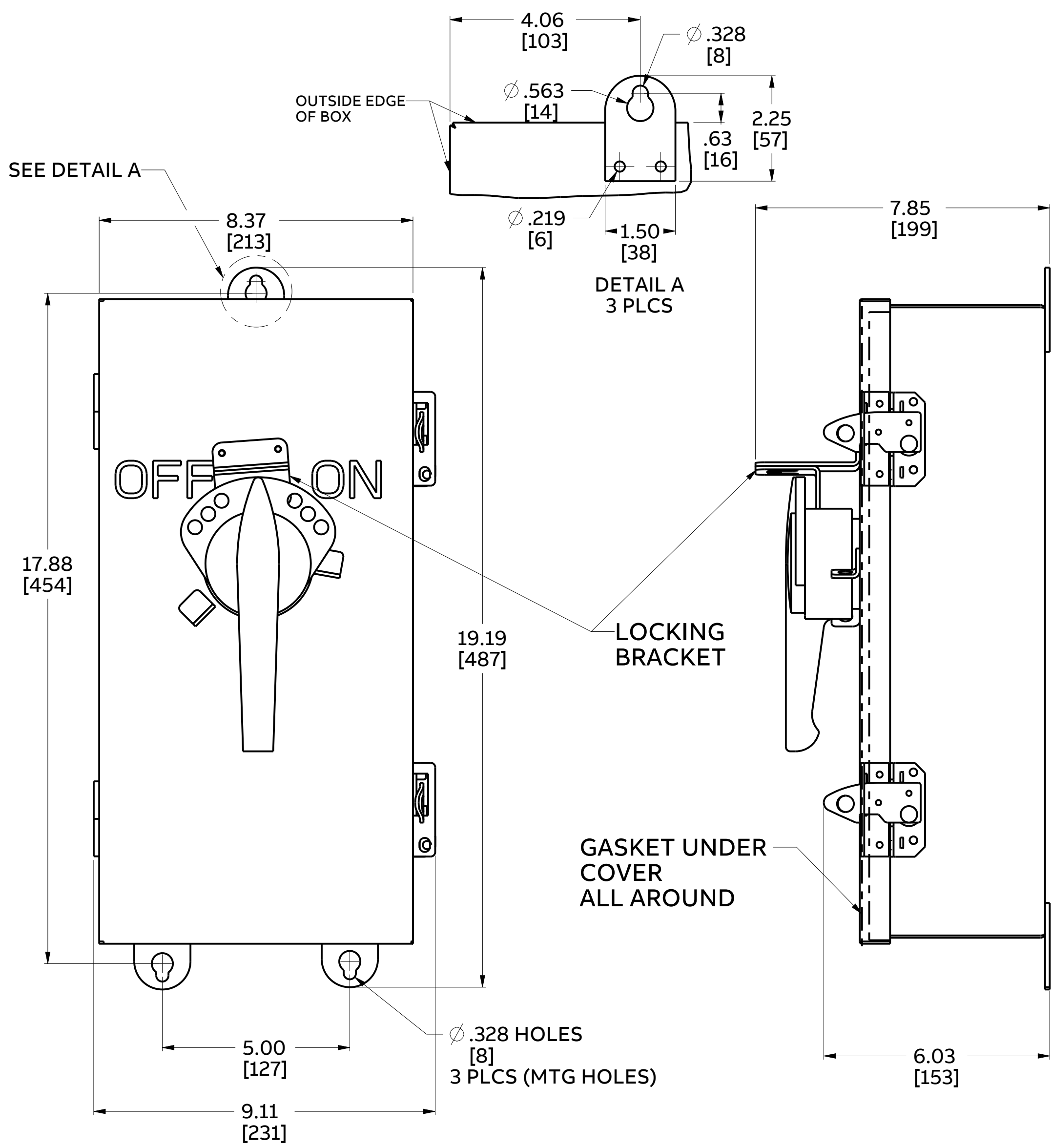
12

11

CIRCUIT BREAKER TERMINAL LUG DATA			
CIRCUIT BREAKER CAT NO. PREFIX	AMPERE RATING	LUG TYPE	WIRE SIZE (AWG/KCMIL)
TEB, TED, THED, TEC	100	TCAL14	(1) #14-8 CU-AL
		TCAL12	(1) #14-3 CU (1) #12-1 AL
		TCAL12A	(1) #6-2/0 CU (1) #4-2/0 AL
		TCAL15	(1) #3-3/0 CU (1) #1-3/0 AL
SEDA, SEHA, SELA, SEPA	100	TCAL18	#12-3/0 CU-AL

FIELD INSTALLABLE NEUTRAL ASSEMBLY AND GROUND KIT			
CAT NO. PREFIX	TYPE	AMPERE RATING	WIRE SIZE (AWG/KCMIL)
TGL1	GND KIT	70-125 AMP	(4) #14-8 CU (4) #12-8 AL (3) #14-4 CU (3) #6-4 AL
TNIA100	NEUTRAL ASM	100 AMP	(1) # 14-1/0 CU (1) # 12-1/0 AL

FOR USE WITH 15-100A ABB TYPE BREAKERS
TEB, TED, THED & TEC DEVICES
SEDA, SEHA, SELA & SEPA DEVICES



- NOTES:
1. MATERIAL: STAINLESS STEEL
 2. FINISH: NONE
 3. AGENCY APPROVAL: cULus LISTED -FILE E11592
 4. SUITABLE FOR USE AS SERVICE EQUIPMENT WHEN NEUTRAL ASSEMBLY IS INSTALLED
 5. THE SHORT CIRCUIT RATING OF THIS ENCLOSED CIRCUIT BREAKER IS EQUAL TO THE INTERRUPTING RATING, AT THE SUPPLY VOLTAGE MARKED ON THE CIRCUIT BREAKER INSTALLED
 6. CONSULT BUYLOG FOR ALTERNATIVE LUGS
 7. HUBS FURNISHED ARE CROME PLATED BY ABB.
 8. HUB MTG. HOLES TO BE PROVIDED BY CUSTOMER
 9. MYERS HUB INCLUDED FOR LARGEST WIRE SIZE FOR CIRCUIT BREAKER

DUAL DIMENSIONS INCHES [MILLIMETERS]

THIRD ANGLE	SHEET#	DWG NO.	DATE	REV
	1 of 1	139C5654SH1	11-Apr-23	F

ABB

OUTLINE DRAWING - NEMA TYPE 4/4X ENCLOSURE
SE100CS, TE100CS

14

13

12

11