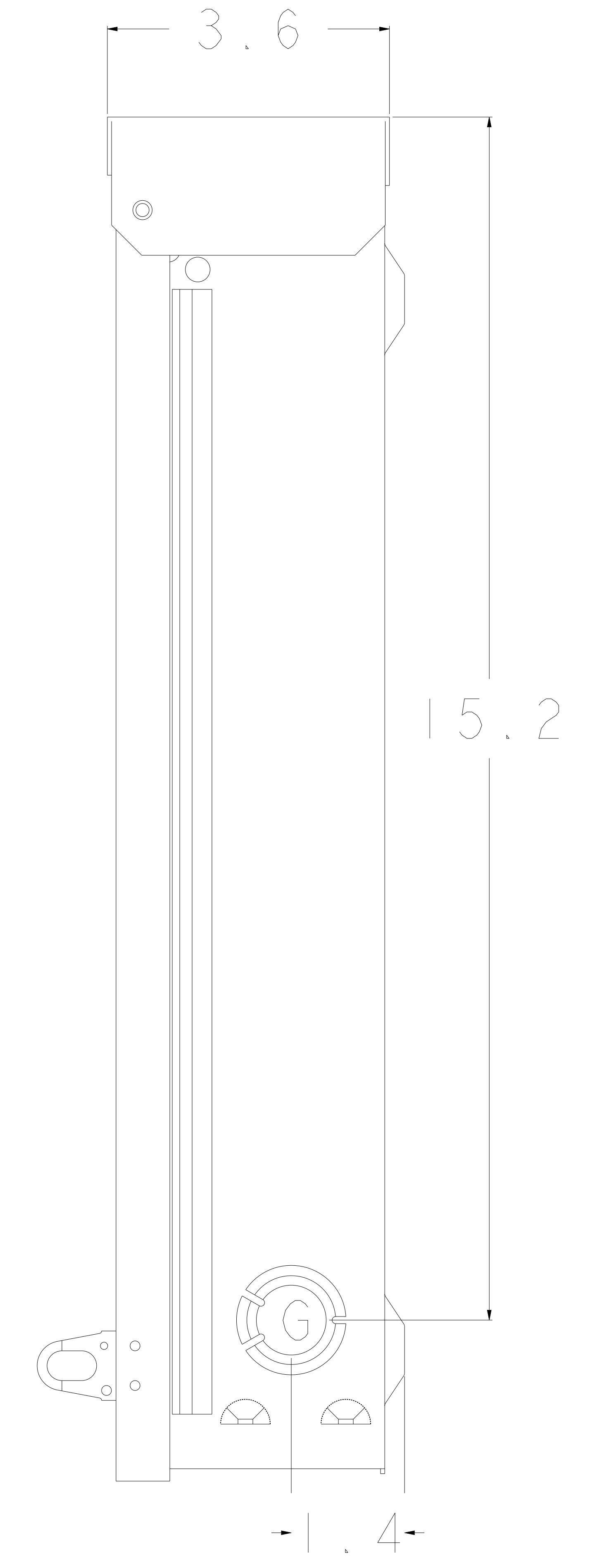
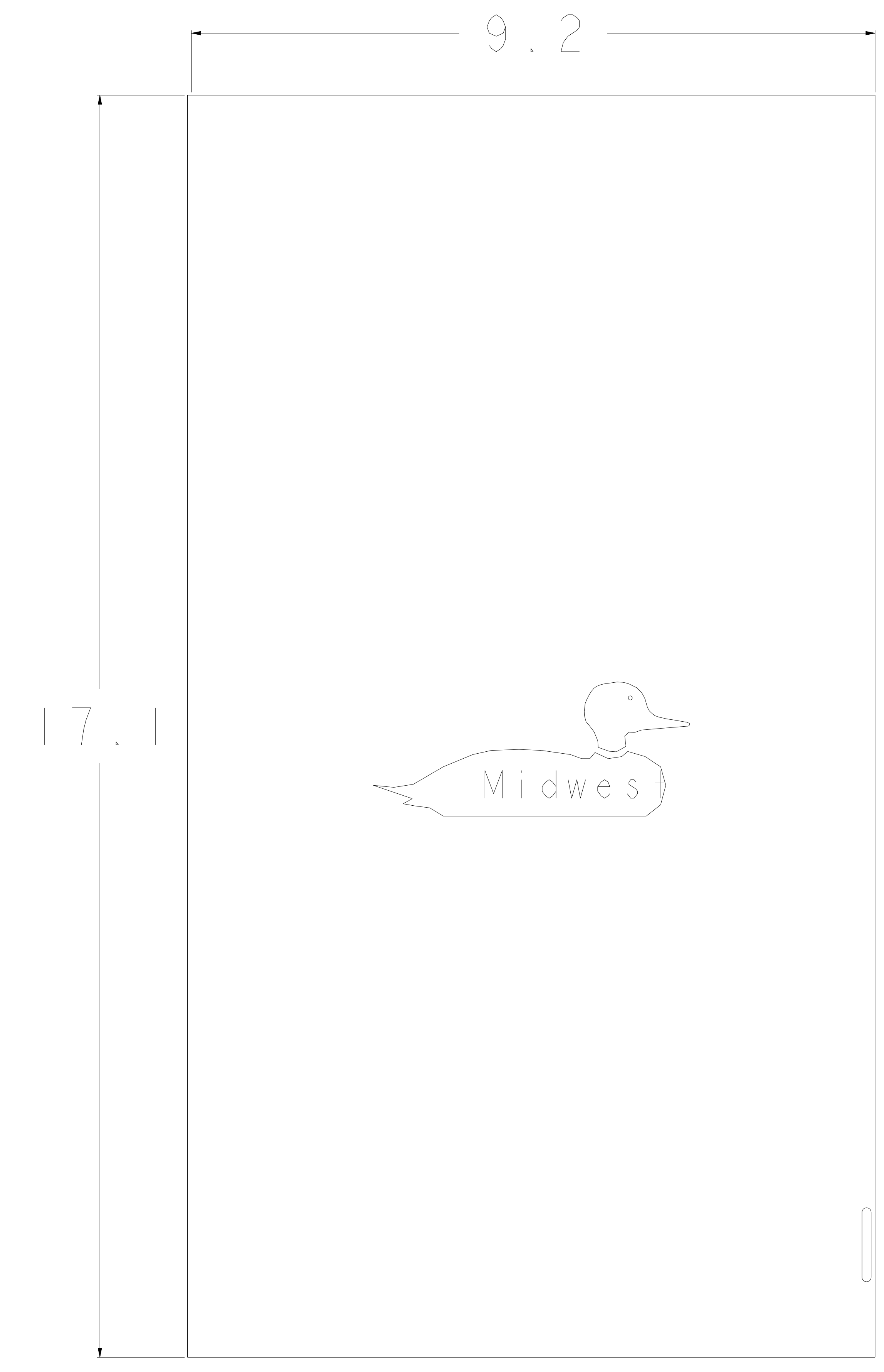
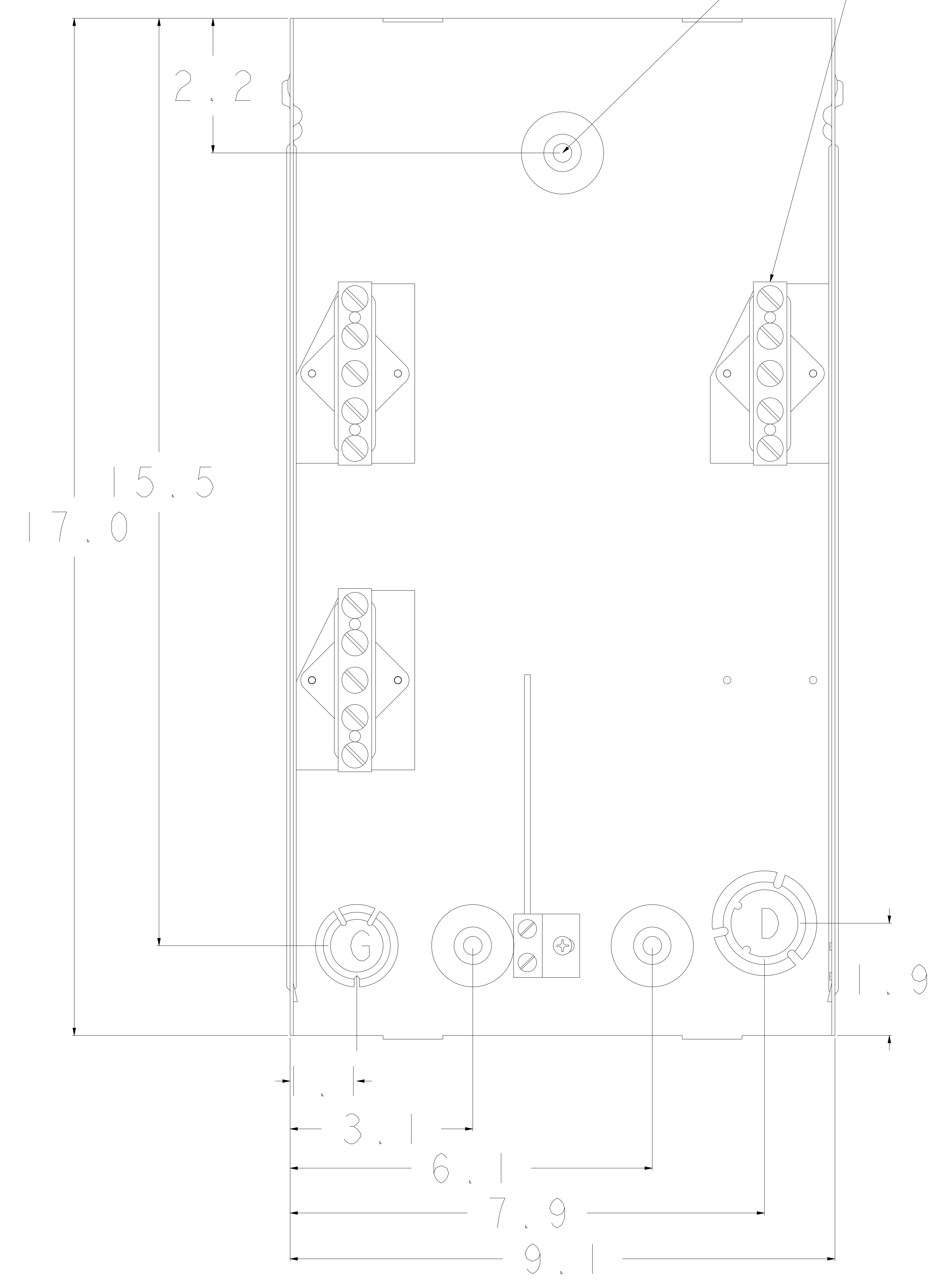


1-1/2" HUB HOLE  
 5/16" MOUNTING HOLE (3X)  
 100AMP. NEUTRAL BARS (3X)

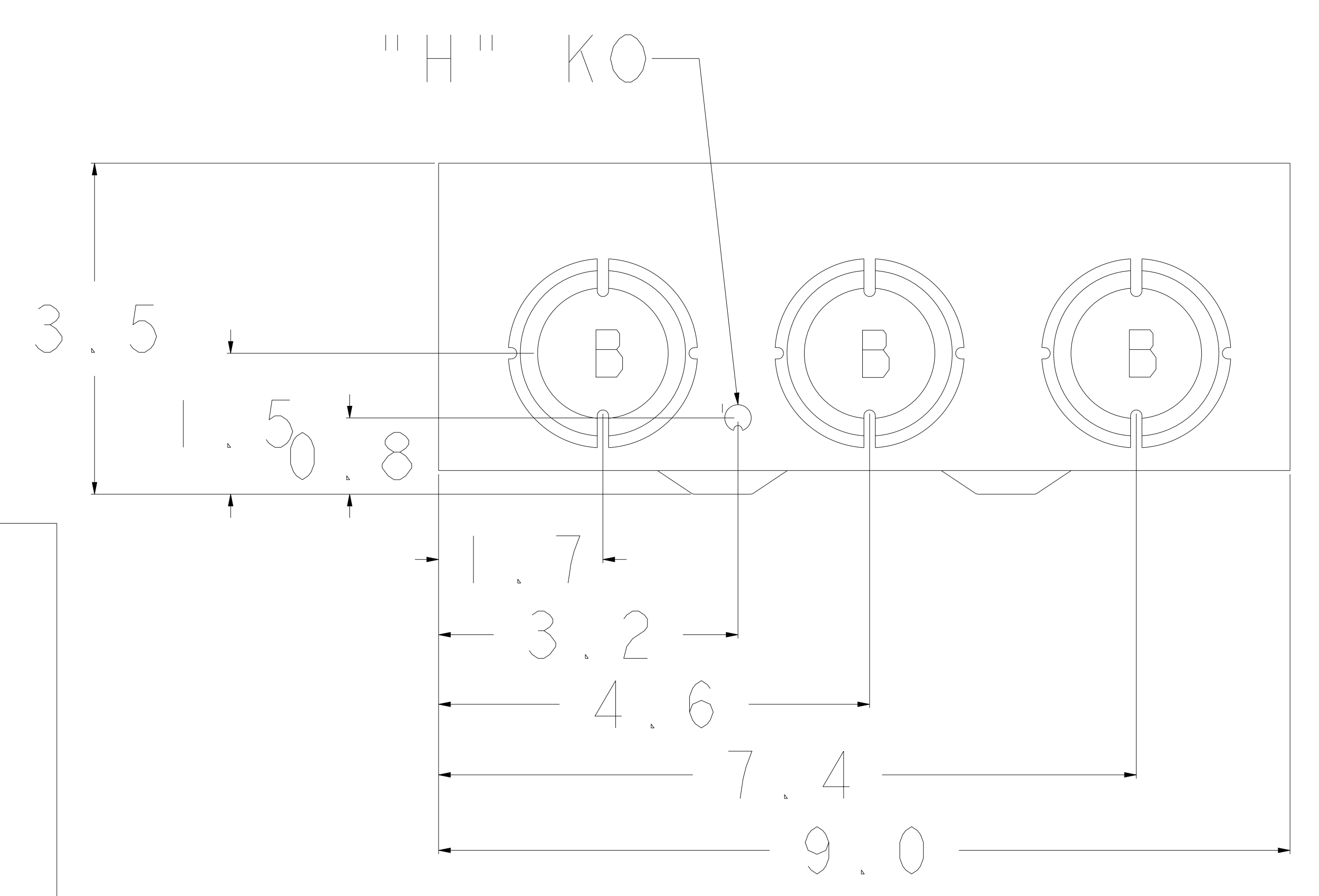


WIRE RANGE TABLE:

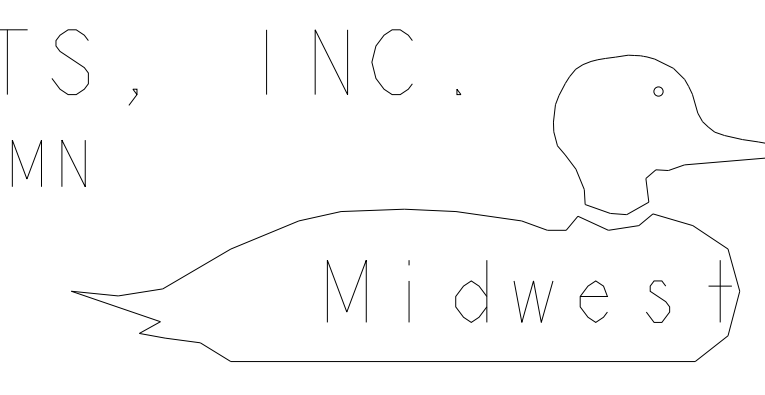
CONNECTOR	COPPER		ALUMINUM	
	SOLID	STRAND	SOLID	STRAND
LINE-8102 NEUTRAL	14-8	14-1/0	10-8	10-1/0
LOAD-8102 NEUTRAL	14-8	14-1/0	10-8	10-1/0
NEUTRAL-8102 NEUTRAL	14-8	14-1/0	10-8	10-1/0
EQUIP. GRD.-GL3	12-8	12-2	12-8	12-2

KNOCKOUT TABLE:

G = 1/2", 3/4", 1" KO
H = 9/32" KO
B = 1", 1-1/4", 1-1/2"
Ø = 3/4", 1", 1-1/4"
KO



MIDWEST ELECTRIC PRODUCTS, INC.  
 Mankato, MN



Dr. By: JDE  
 Ck. By:  
 CR: R0815611

\* = Critical To Quality  
 Unless Otherwise Specified  
 AutoCad Generated

Tolerances On:  
 3 Pl. Decimals ± .010  
 2 Pl. Decimals ± .030  
 Fractions ± 1/32  
 Angles ± 1/2°  
 Holes ± .003

Dimensions Are In Inches

SCALE	SIZE
1 : 1	A
SHEET 1	OF 1

TITLE: T1210  
 OUTLINE DRAWING

DWG NO: 265A6233