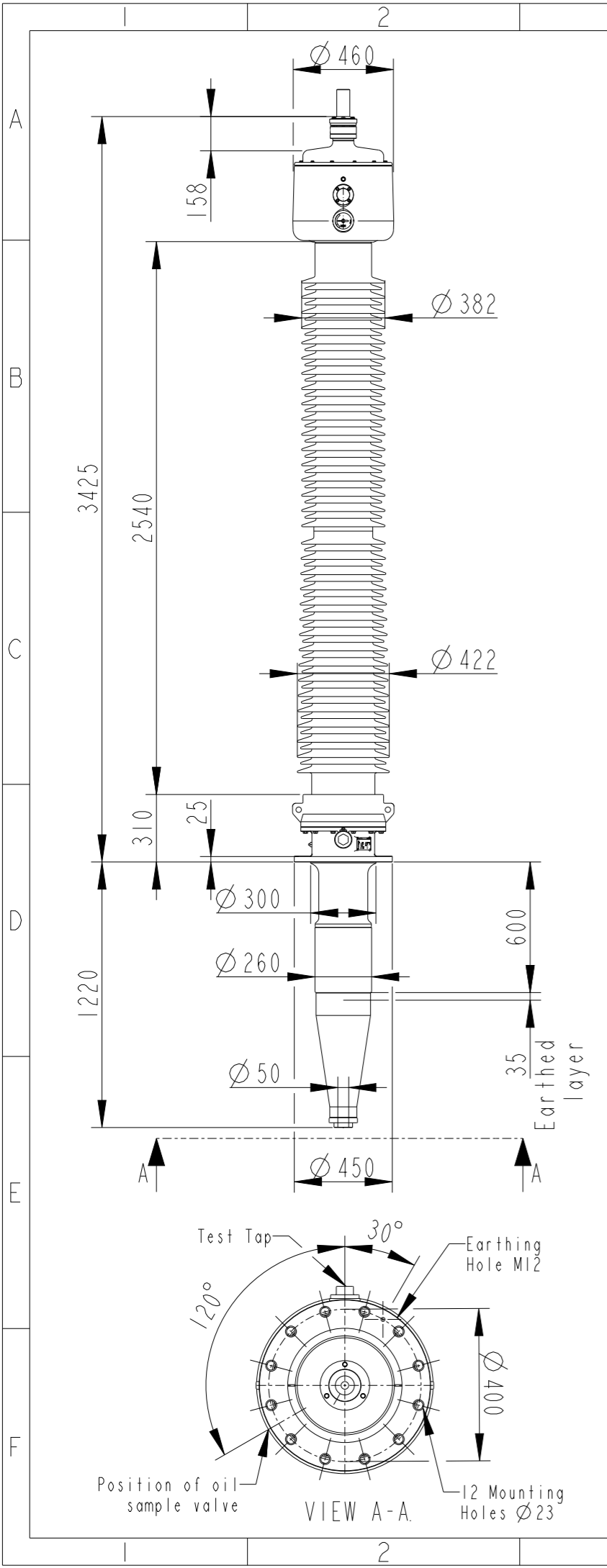


This document is issued by means of a computerized system. The digitally stored original is electronically approved. The approved document has a date entered in the "Approved"-field. A manual signature is not required.

We reserve all rights in this document and in the information contained therein. Reproduction, use or disclosure to third parties without express authority is strictly forbidden. © 2022 Hitachi Energy.



### Bushing Data:

Rated Voltage	362 kV
Phase to-earth Voltage	209 kV
Dry Lightning Impulse 1,2/50µs	1175 kV
Wet Switching Impulse	850 kV
Wet Power frequency AC	N.A kV
Routine test Imin dry 50Hz	560 kV
Rated Current	1600 A
Creepage Distance Nominal	9150 mm
Creepage Distance Minimum	8750 mm
Mass	633 kg

### Ordering Data:

<b>BUSHING</b>	COLOUR AIR INSULATOR
1ZSC903362-AAB	BROWN
<b>DRAW ROD SYSTEM</b>	
LF170 097	UPPER DRAW ROD
LF170 098	LOWER DRAW ROD

### OUTER TERMINAL

	Material	D2 (mm)
LF170 090-A	Al	Ø 30
LF170 090-B	Al	Ø 60
LF170 090-C	Cu	Ø 30
LF170 090-E	Cu	Ø 60
LF170 090-G	Cu/Ag	2"-12UN

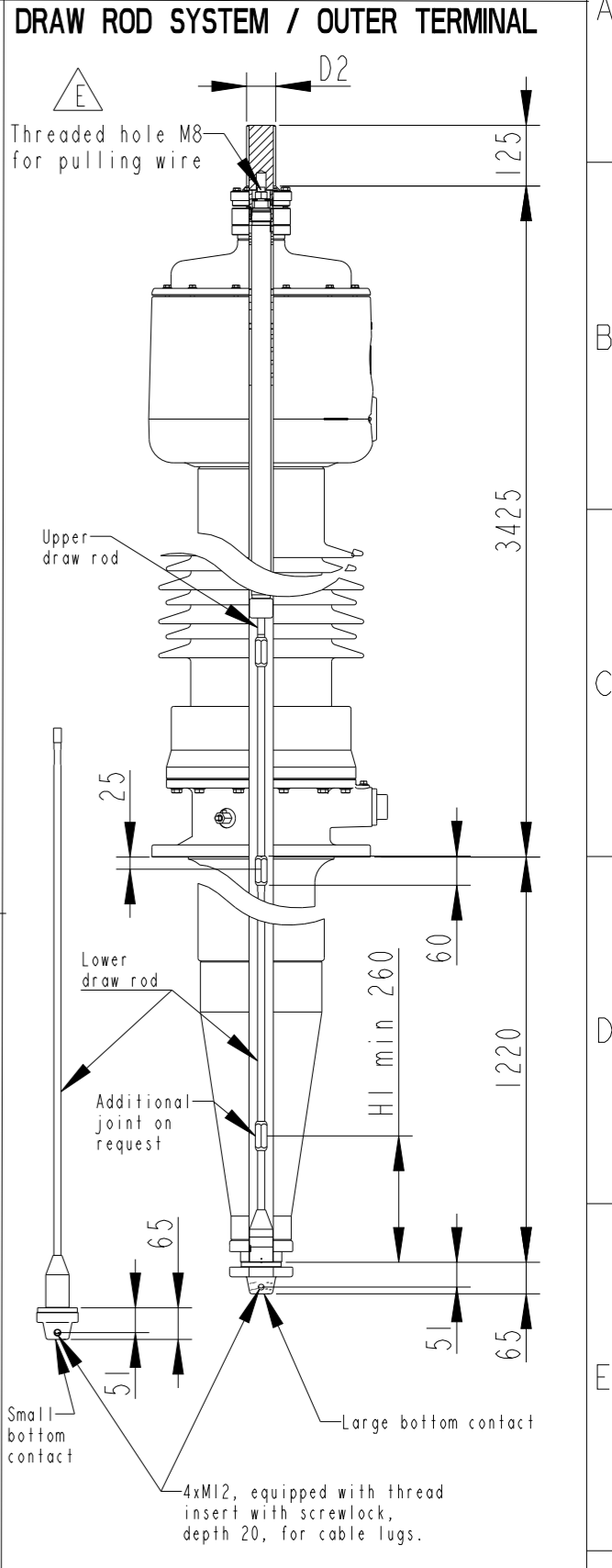
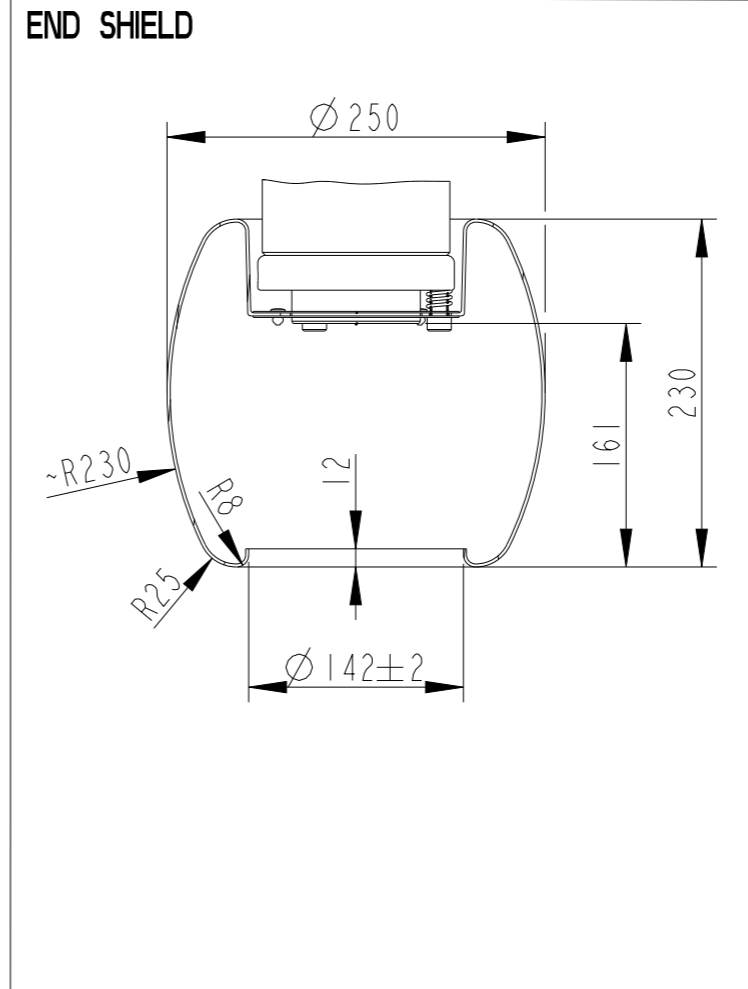
### END-SHIELD

LF170 092-A	Epoxy insulated
LF170 092-C	Insulated with 3mm pressboard

Ludvika, Sweden

No.	Um/Uy	kV Ir	A	50/60 Hz
BIL	kV	SIL	kV	AC
M	kg	L	mm	✓
C1	pF	Tanδ		x
C2	pF	Tanδ		x

Revision	Revision text
E	Inner terminal details removed & mass updated.



CREATED BY Dhanasekar P	CREATED ON 2022-09-16	APPROVED BY Natalia Gutman	APPROVED ON 2022-12-06
DOCUMENT KIND Dimension Drawing	TITLE / SUPPLEMENTARY TITLE GOE(2) 1175-850-1600-0,6		
RESPONSIBLE DEPARTMENT SEABB-9AAE300824	RESPONSIBLE COMPANY Hitachi Energy Sweden AB		
RESPONSIBLE COMPANY Hitachi Energy Sweden AB	DOCUMENT ID 2751369-331	STATUS Approved	REVISION E
		SHEET 1/1	