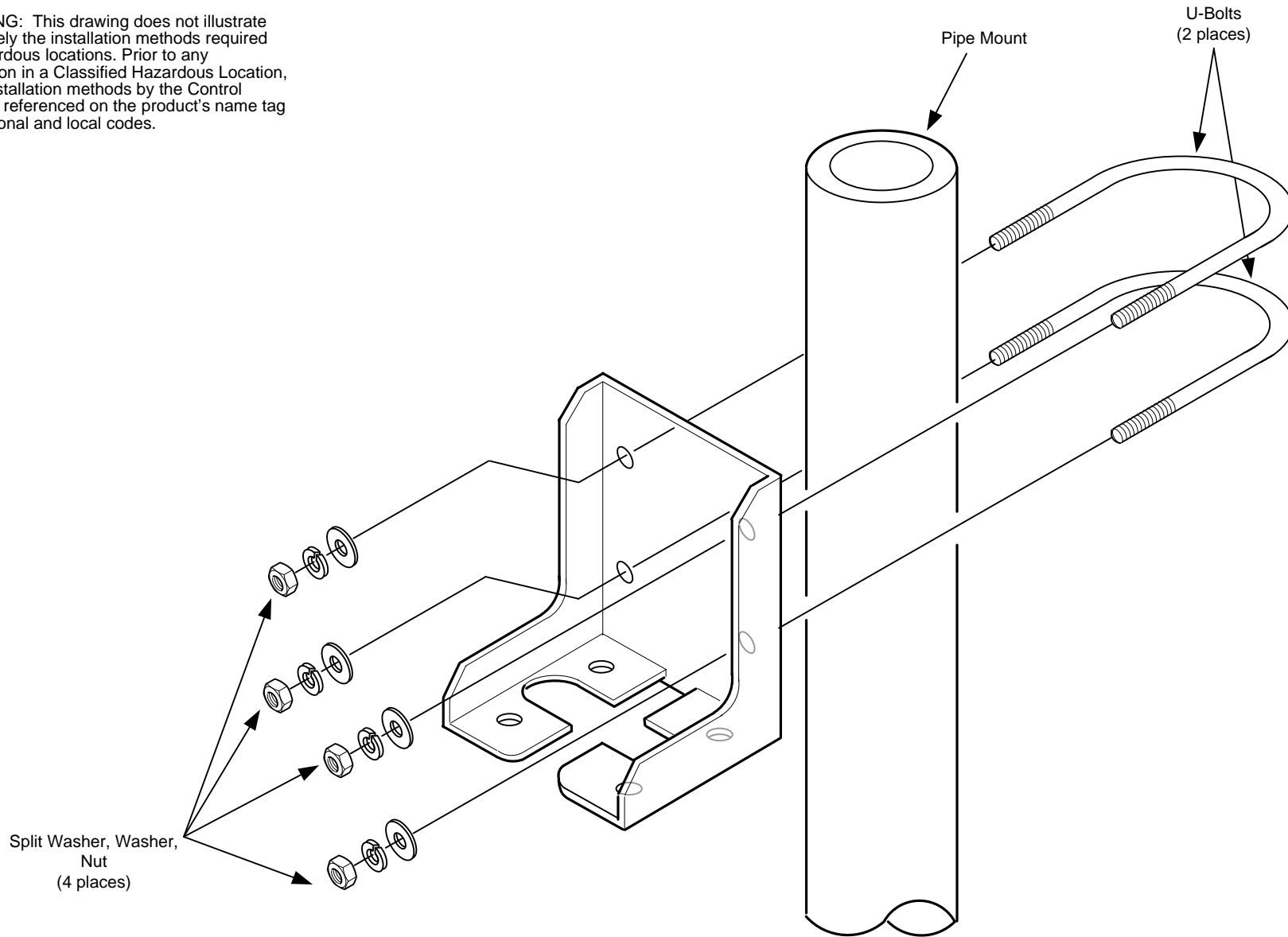



NOTES:

1. **WARNING:** This drawing does not illustrate completely the installation methods required for hazardous locations. Prior to any installation in a Classified Hazardous Location, verify installation methods by the Control Drawing referenced on the product's name tag and national and local codes.

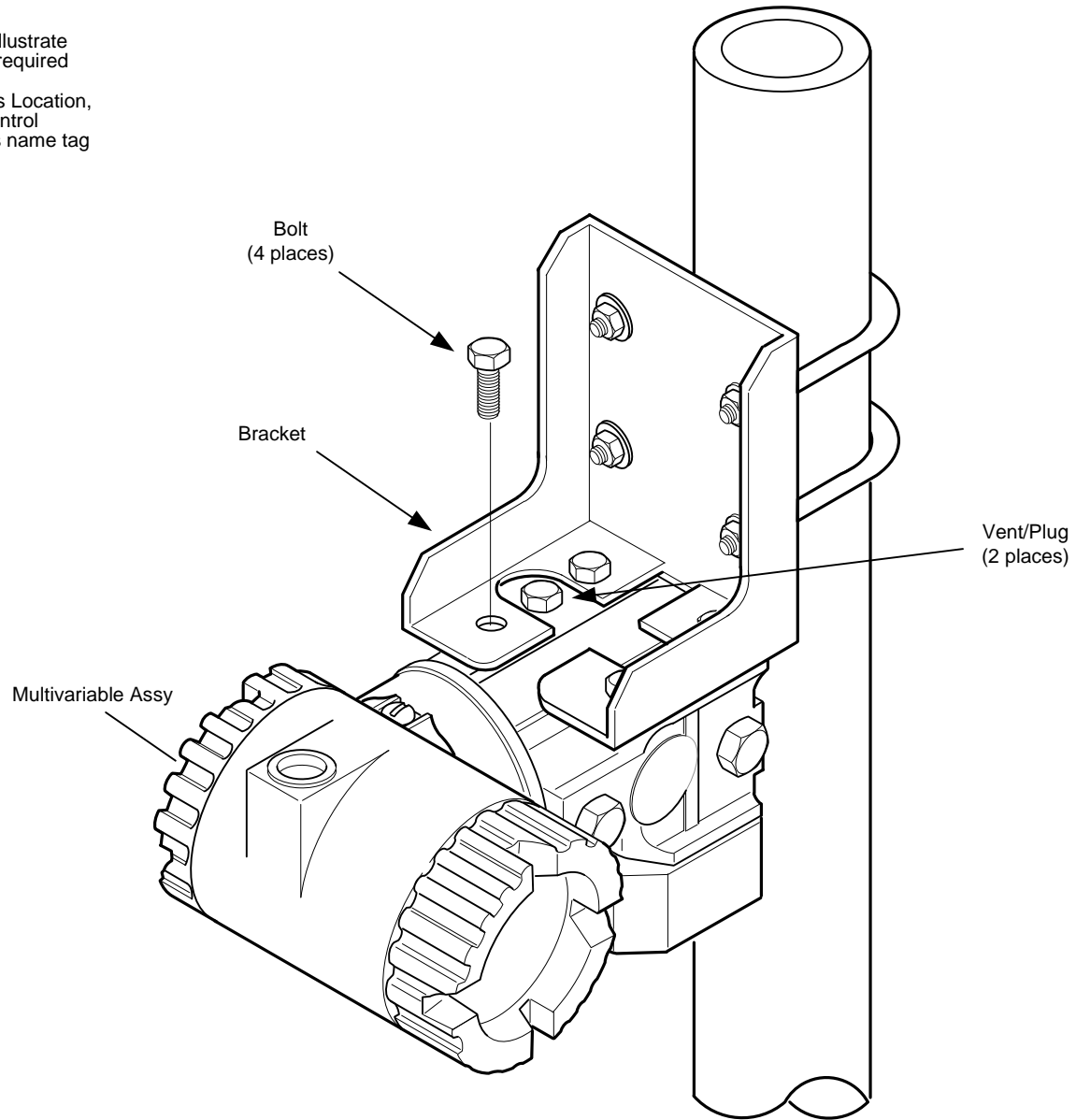


REF: N/A

 TOTALFLOW Products	ACTION	DOC TYPE	TITLE	DWG NO.	REV	SHEET
	L22174	UD	ASSY, IMV25 (1641200) TO PIPE MOUNT BRACKET (2100900)	2104265	AA	1 OF 6

NOTES:

1. WARNING: This drawing does not illustrate completely the installation methods required for hazardous locations. Prior to any installation in a Classified Hazardous Location, verify installation methods by the Control Drawing referenced on the product's name tag and national and local codes.

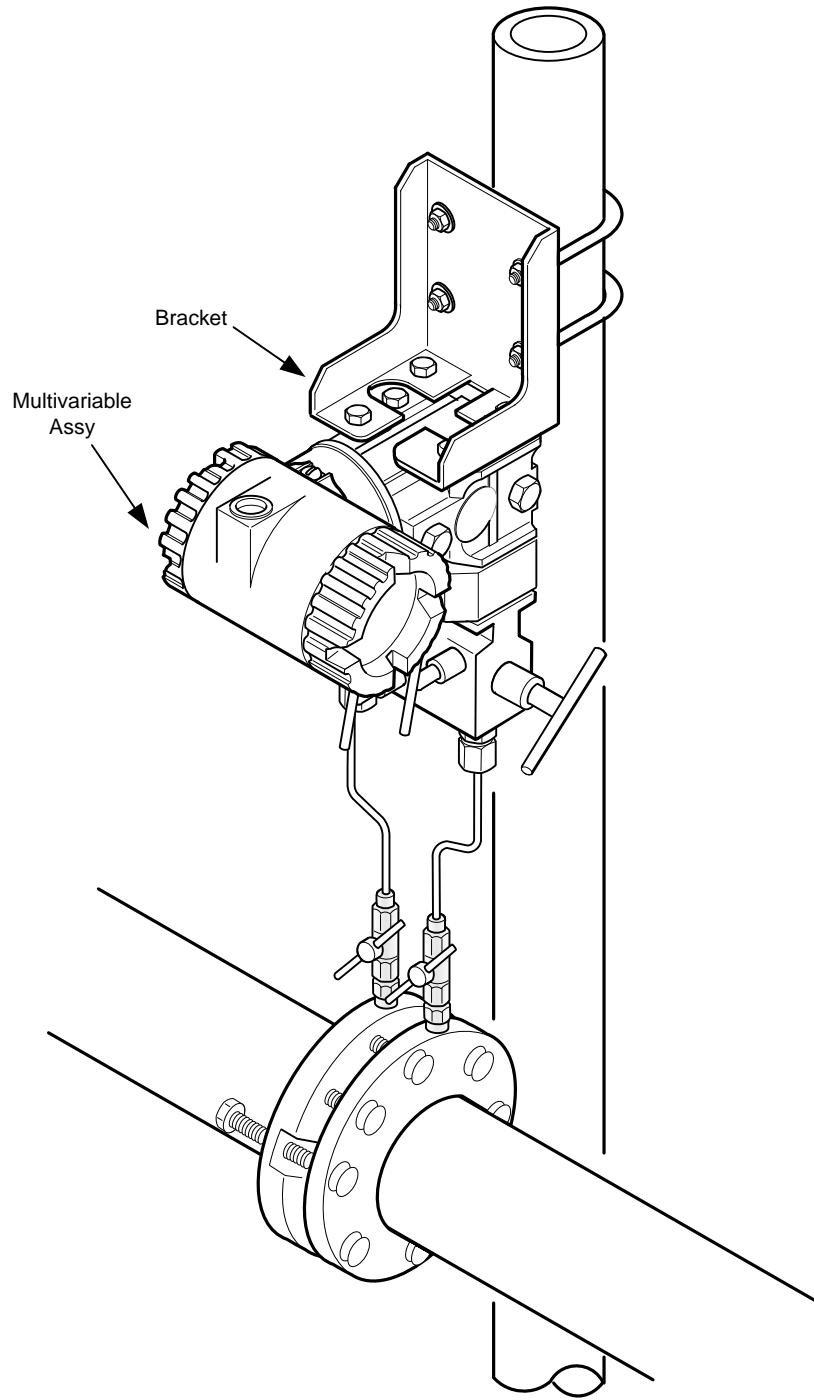


REF:N/A

ABB	TOTALFLOW Products	ACTION	DOC TYPE	TITLE	DWG NO.	REV	SHEET
		L22174	UD	ASSY, IMV25 (1641200) TO PIPE MOUNT BRACKET (2100900)	2104265	AA	2 OF 6

NOTES:

- 1. WARNING: This drawing does not illustrate completely the installation methods required for hazardous locations. Prior to any installation in a Classified Hazardous Location, verify installation methods by the Control Drawing referenced on the product's name tag and national and local codes.

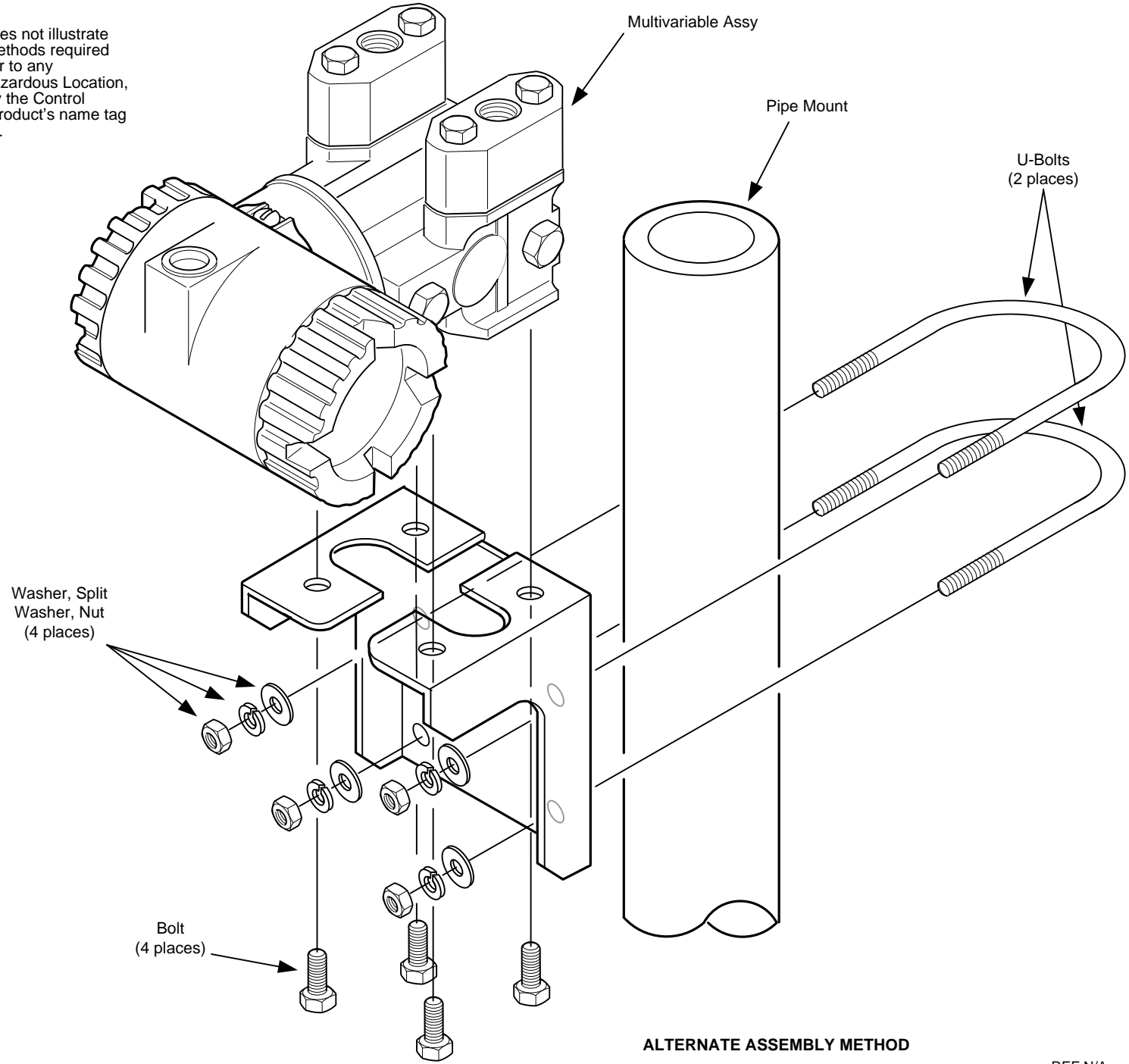


REF:N/A

ABB TOTALFLOW Products	ACTION	DOC TYPE	TITLE	DWG NO.	REV	SHEET
	L22174	UD	ASSY, IMV25 (1641200) TO PIPE MOUNT BRACKET (2100900)	2104265	AA	3 OF 6


NOTES:

1. **WARNING:** This drawing does not illustrate completely the installation methods required for hazardous locations. Prior to any installation in a Classified Hazardous Location, verify installation methods by the Control Drawing referenced on the product's name tag and national and local codes.



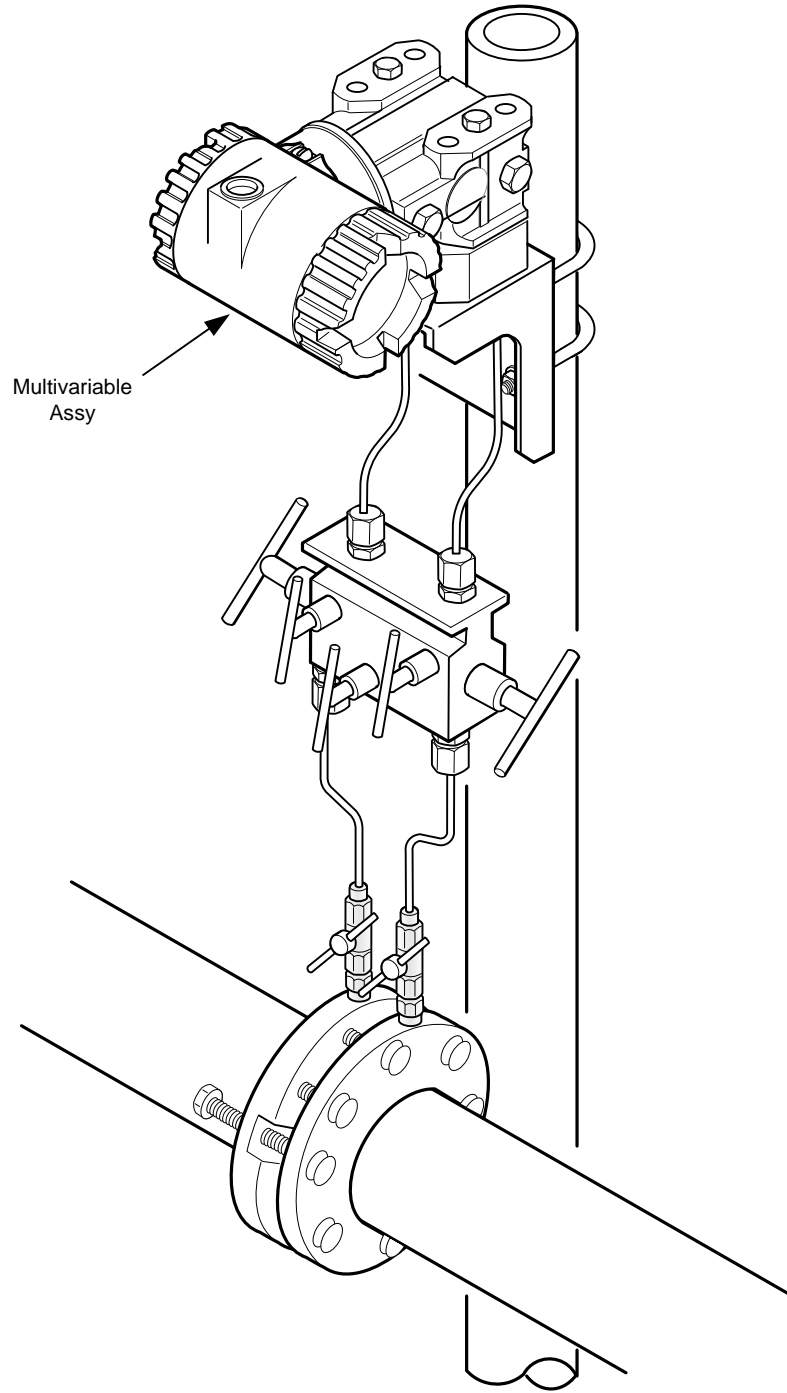
ALTERNATE ASSEMBLY METHOD

REF: N/A

 TOTALFLOW Products	ACTION	DOC TYPE	TITLE	DWG NO.	REV	SHEET
	L22174	UD	ASSY, IMV25 (1641200) TO PIPE MOUNT BRACKET (2100900)	2104265	AA	4 OF 6

NOTES:

1. WARNING: This drawing does not illustrate completely the installation methods required for hazardous locations. Prior to any installation in a Classified Hazardous Location, verify installation methods by the Control Drawing referenced on the product's name tag and national and local codes.



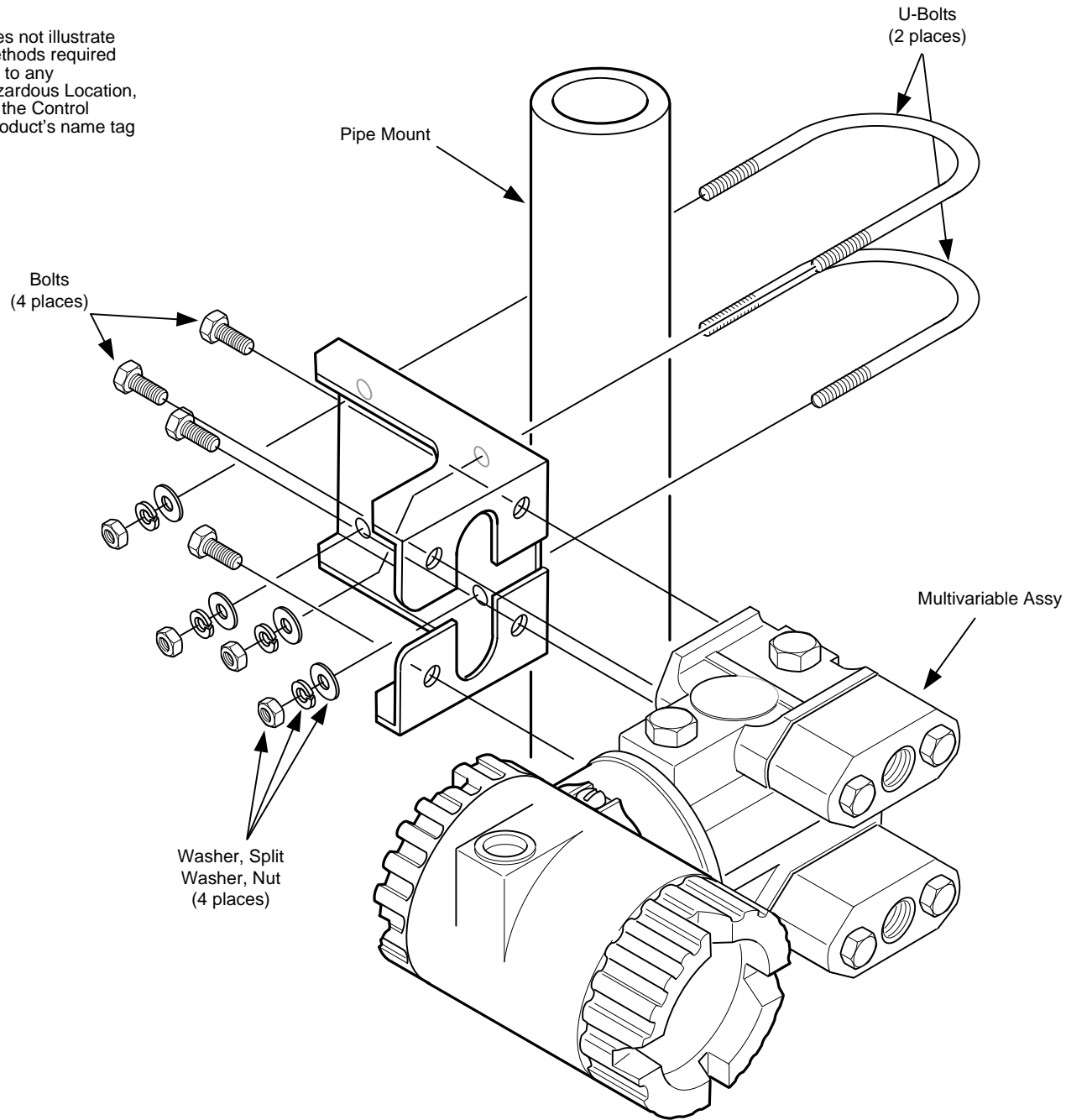
ALTERNATE ASSEMBLY METHOD

REF:N/A

ABB	TOTALFLOW	ACTION	DOC TYPE	TITLE	DWG NO.	REV	SHEET
	Products	L22174	UD	ASSY, IMV25 (1641200) TO PIPE MOUNT BRACKET (2100900)	2104265	AA	5 OF 6


NOTES:

1. **WARNING:** This drawing does not illustrate completely the installation methods required for hazardous locations. Prior to any installation in a Classified Hazardous Location, verify installation methods by the Control Drawing referenced on the product's name tag and national and local codes.



ALTERNATE ASSEMBLY METHOD

REF:N/A

 TOTALFLOW Products	ACTION	DOC TYPE	TITLE	DWG NO.	REV	SHEET
	L22174	UD	ASSY, IMV25 (1641200) TO PIPE MOUNT BRACKET (2100900)	2104265	AA	6 OF 6