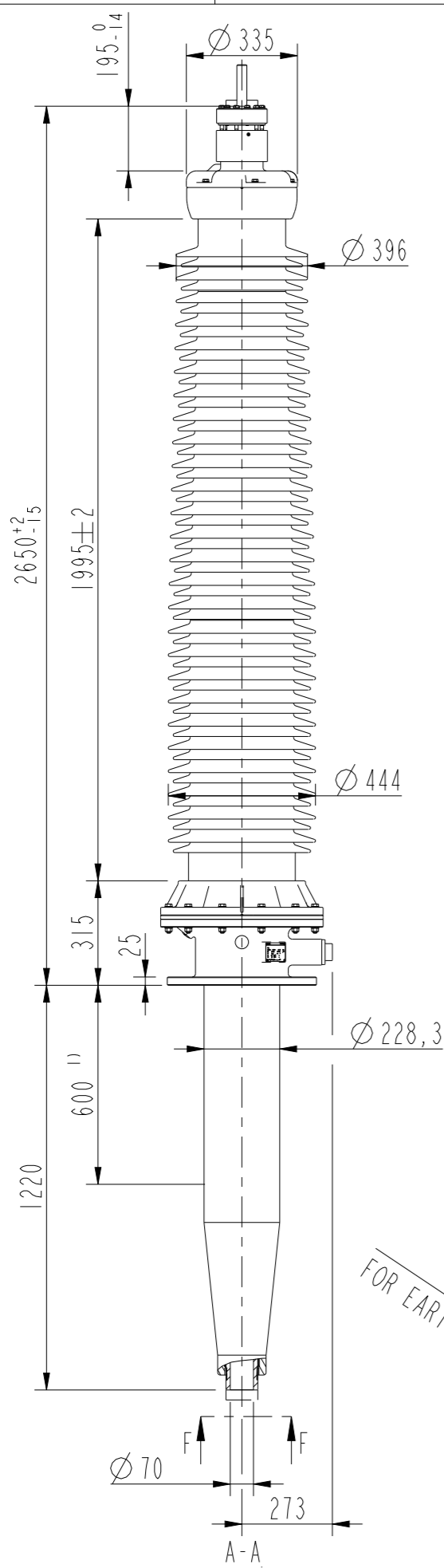


This document is issued by means of a computerized system. The digitally stored original is electronically approved. The approved document has a date entered in the "Approved"-field. A manual signature is not required.

The information contained in this document has to be kept strictly confidential. Any unauthorized use, reproduction, distribution or disclosure to third parties are strictly forbidden. ABB reserves all rights regarding Intellectual Property Rights. © Copyright 2013 ABB. All rights reserved.

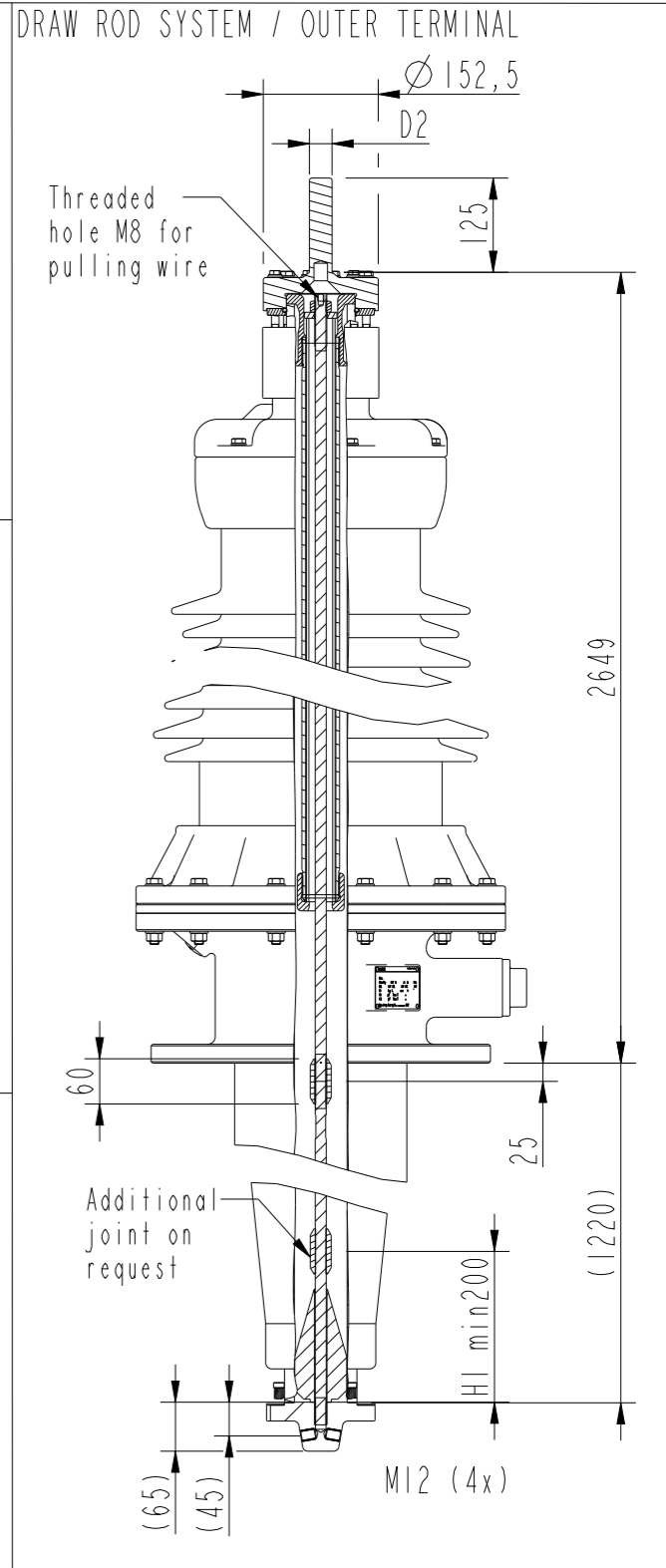
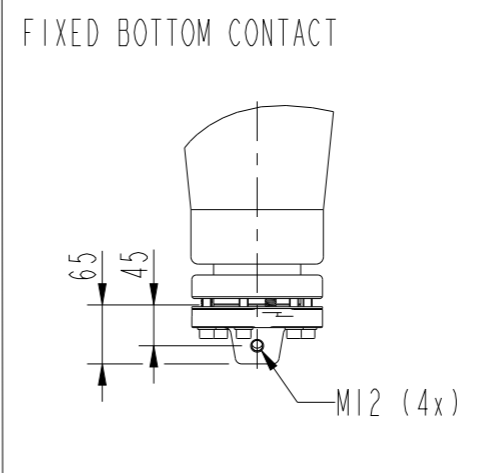
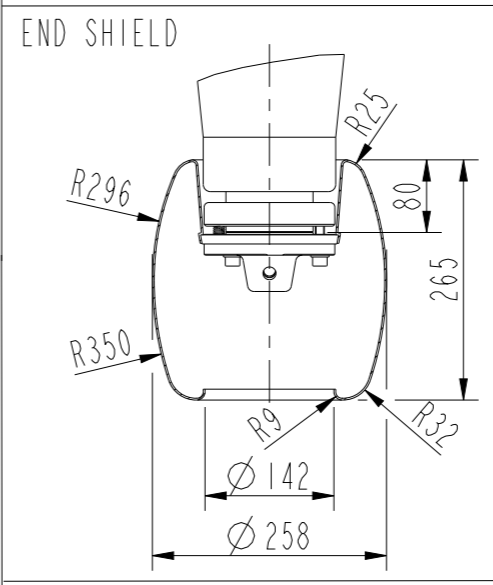
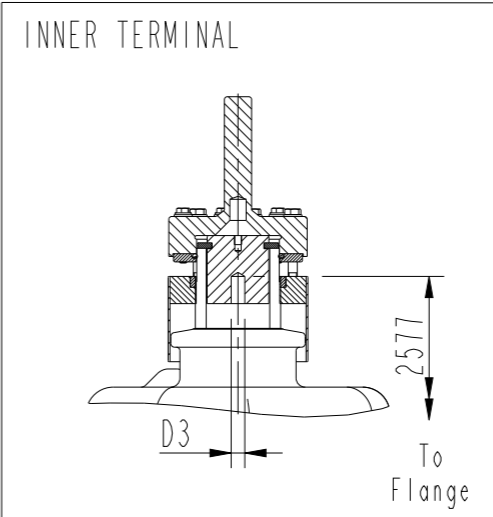
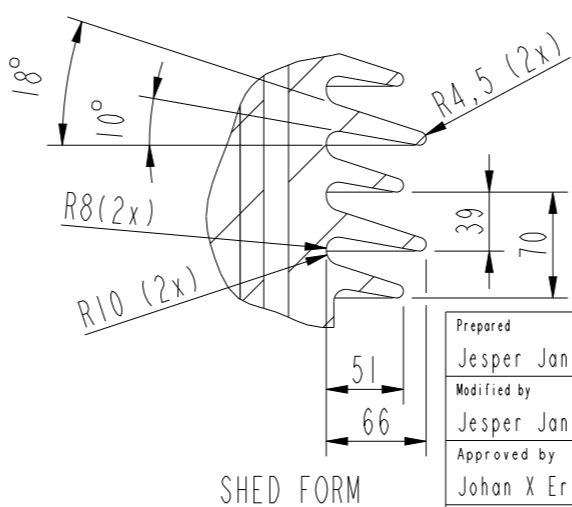
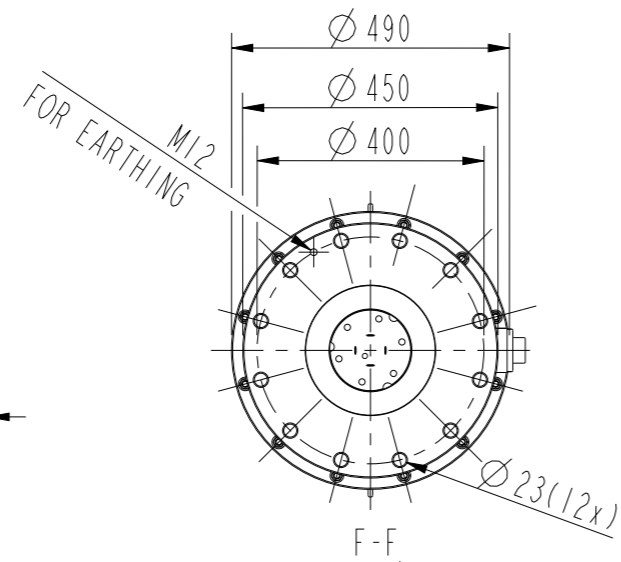


Bushing Data:

Rated Voltage	245	kV
Phase-to-earth Voltage	146	kV
Dry Lightning Impulse 1,2/50µs	1050	kV
Dry Switching Impulse	850	kV
Wet Power Frequency AC	460	kV
Routine test Imin dry 50Hz	506	kV
Rated Current	2000	A
Creepage Distance, nominal	7022	mm
Creepage Distance, minimum	6740	mm
Temperature class acc. to IEC60137	3	
Mass, Bushing	490	kg

Ordering Data:

BUSHING		AIR INSULATOR COLOUR/TYPE	
IZSC901245	-AAB Test tap	Brown/	Porcelain
IZSC901245	-ABB Voltage tap 6kV	Brown/	Porcelain
IZSC901245	-BAB Test tap	Light grey/	Porcelain
IZSC901245	-BBB Voltage tap 6kV	Light grey/	Porcelain
OUTER TERMINAL		MATERIAL	
IZSC999001	-AAA	Al	30
IZSC999001	-AAB	Al	60
IZSC999001	-AAC	Cu	30
IZSC999001	-AAD	Cu	40
DRAW ROD SYSTEM		MATERIAL	
IZSC999006	Lower draw rod		
IZSC999007	Upper draw rod		
INNER TERMINAL		D3 (mm)	
IZSC999005	-AAA	15	
IZSC999005	-AAB	30	
IZSC999005	-AAC	40	
IZSC999005	-AAD	42	
FIXED BOTTOM CONTACT			
IZSC999002	-AAE		
END SHIELD		Epoxy insulated	
IZSC999003	-AEA		



Prepared	Jesper Jansson	2017-05-10	Responsible department	PGCO/BK	Title	Bushing GSB 245/2000/0.6	Language	82
Modified by	Jesper Jansson	2017-05-18	Take over department					
Approved by	Johan X Eriksson	2017-05-18	Used in product		Genomföring GSB 245/2000/0.6	Order	Sheet no.	1
Revision	D	Rated current changed.			Document no.	2751377-2	No. Shits.	(1)



1) Maximum length of CT