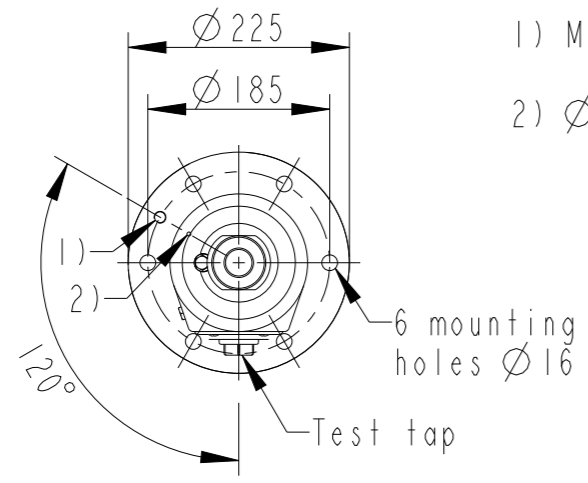
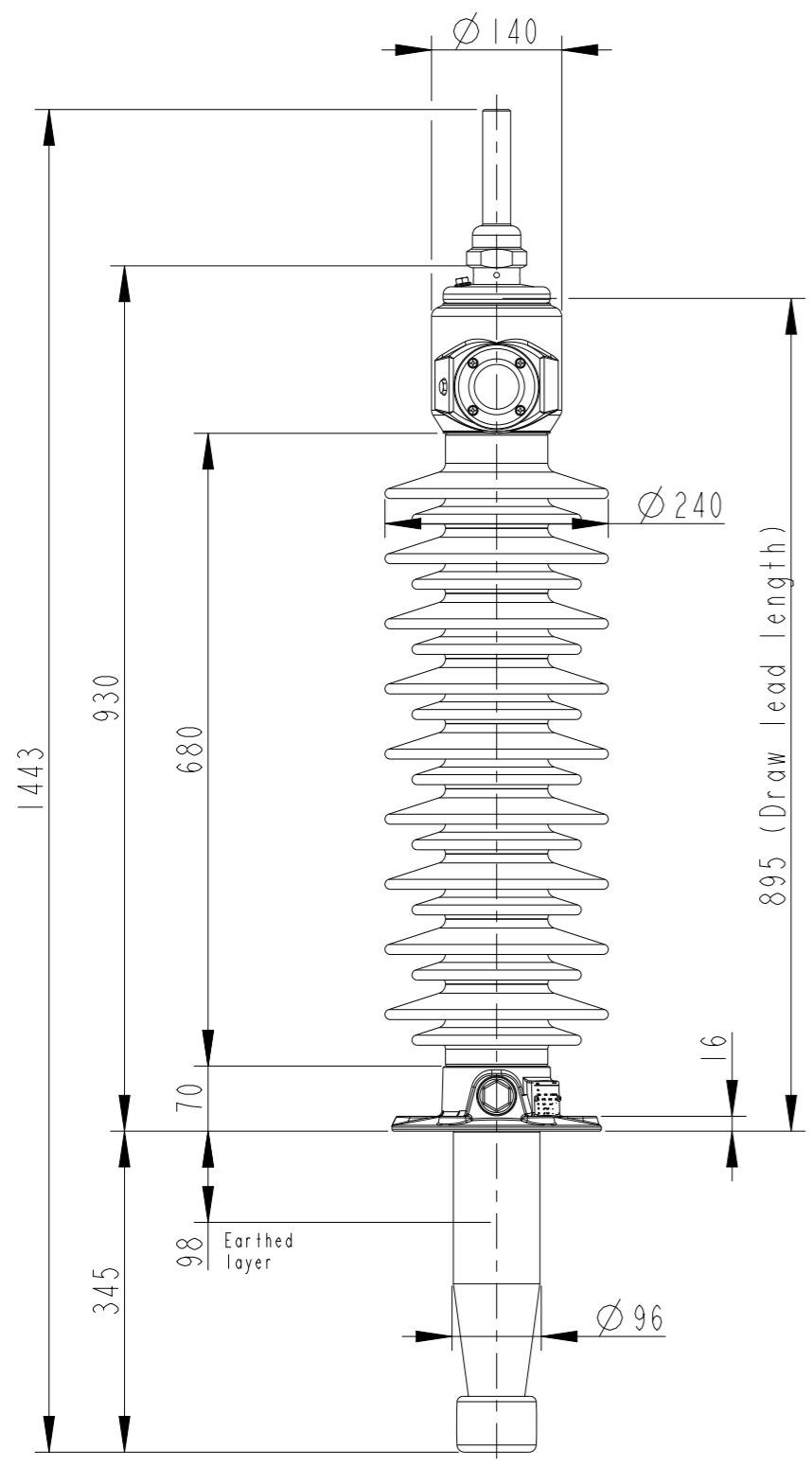
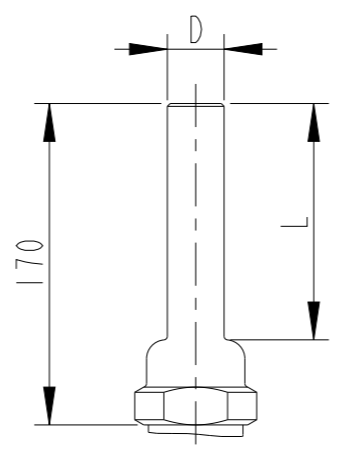


This document is issued by means of a computerized system. The digitally stored original is electronically approved. The approved document has a date entered in the "Approved"-field. A manual signature is not required.

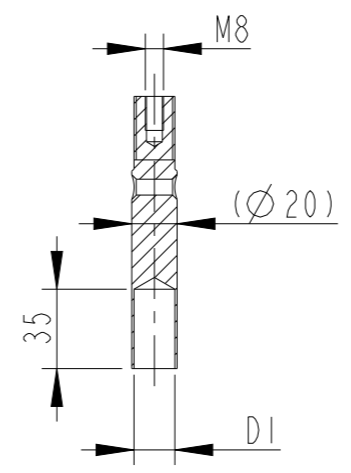
We reserve all rights in this document and in the information contained therein. Reproduction, use or disclosure to third parties without express authority is strictly forbidden.



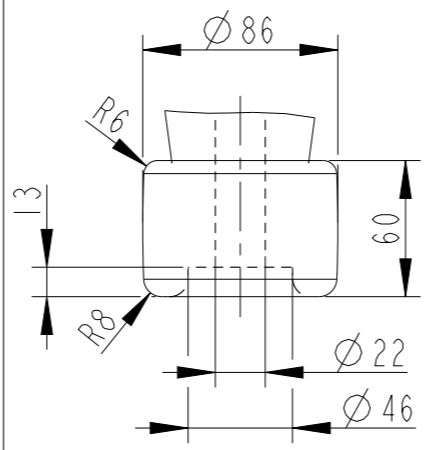
OUTER TERMINAL



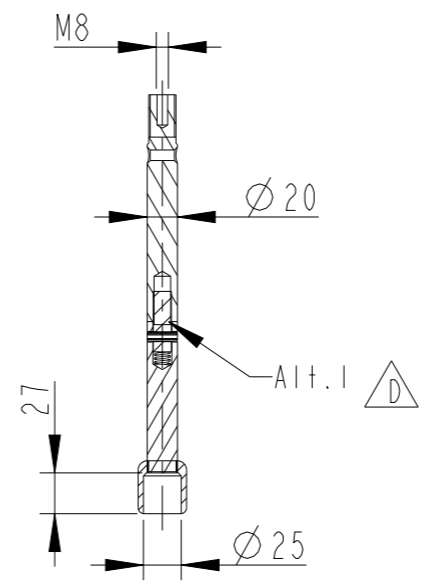
INNER TERMINAL FOR STRANDED CABLE



END SHIELD



SOLID ROD CONNECTOR



The solid rod can be divided either:
Alt.1: 20mm below the bushing flange

Revision	Revision text
D	Removed Alt.2, Changed the Phase to ground voltage from 72.5 to 58kV

Bushing Data:

Rated Voltage	100	kV
Phase to Ground Voltage	Δ 58	kV
Dry Lightning Impulse 1,2/50 μ s	380	kV
Wet power frequency AC	150	kV
Routine test 1min dry 50Hz	162	kV
Rated Current	800	A
Creepage Distance	2210 \pm 70	mm
Creepage Distance Protected	870	mm
Mass	36	kg

Ordering Data:

BUSHING	COLOUR	AIR INSULATOR
LF123183-K	BROWN	
LF123183-L	LIGHT GREY	
LF123183-HK	BROWN	Horizontal 45°-90°
LF123183-HL	LIGHT GREY	Horizontal 45°-90°

OUTER TERMINAL	Material	D	L
LF 170 002-A	Cu Alloy	\varnothing 30	125
LF 170 001-A	Al	\varnothing 30	125

OTHER TYPES ON REQUEST

INNER TERMINAL FOR STRANDED CABLE	Conductor area	D1
For brazing	up to 150mm ²	\varnothing 18
LF 170 011-S		
LF 170 011-U	Undrilled with pilot hole \varnothing 5	

For crimping or brazing	Conductor area	D1
LF 170 010-M	50mm ²	\varnothing 11
LF 170 010-N	70mm ²	\varnothing 13
LF 170 010-L	95mm ²	\varnothing 15

SOLID ROD CONNECTOR	Material
LF 170 019 -AP for Alt.1	Cu

- 1) M12 (For Earthing)
- 2) \varnothing 4 Oil connection hole (only valid for horizontal mounting)

ABB		Ludvika, Sweden	
No.	Um	kV Ir	A 50/60 Hz
○	BIL	kV SIL	kV AC
M	kg L	mm	✓
C1	pF	Tan δ	x
C2	pF	Tan δ	x

Approved 2019-10-30	Document Kind Outline Drawing	Based on doc.id	Work order id	Project id
Company ABB Technology Ltd	Title, Supplementary title GOB 380-800-0			
Responsible Department SEABB-9AAE300824	WITH OIL LEVEL GAUGE SHORT END SHIELD			
ABB	Document id 2751369-187	Status Released	Revision D	Iteration 1/1