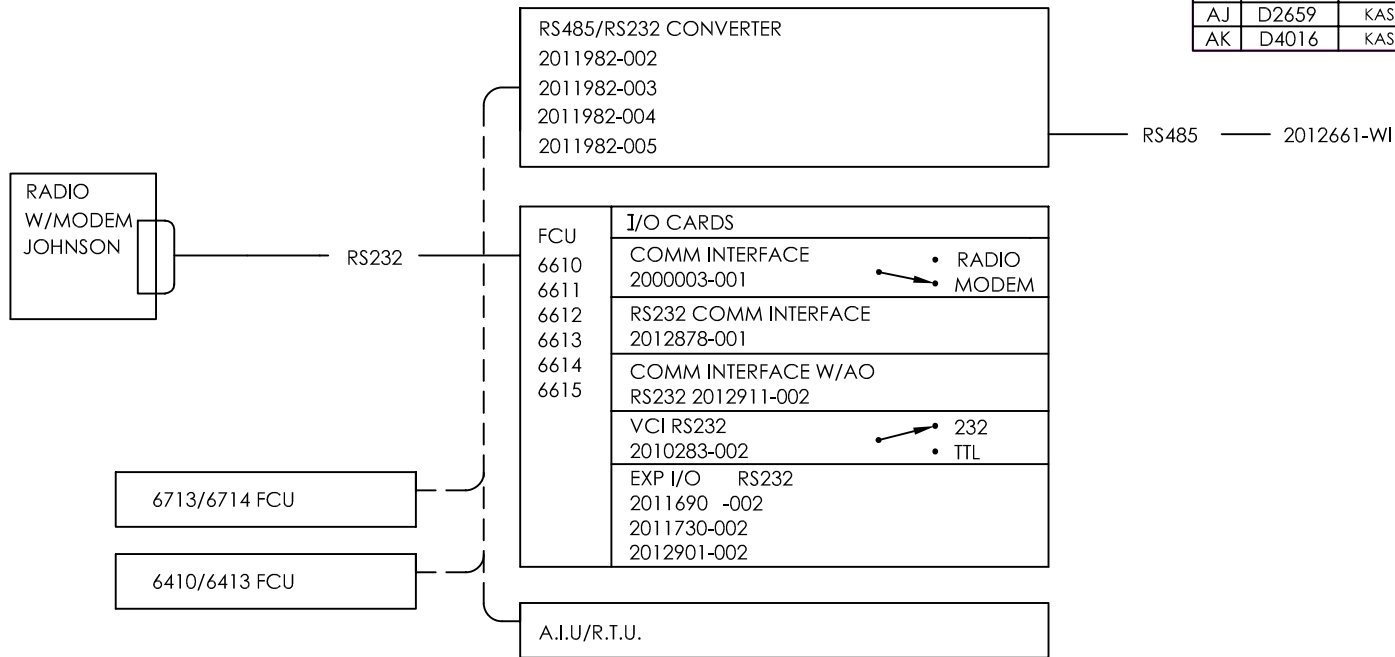
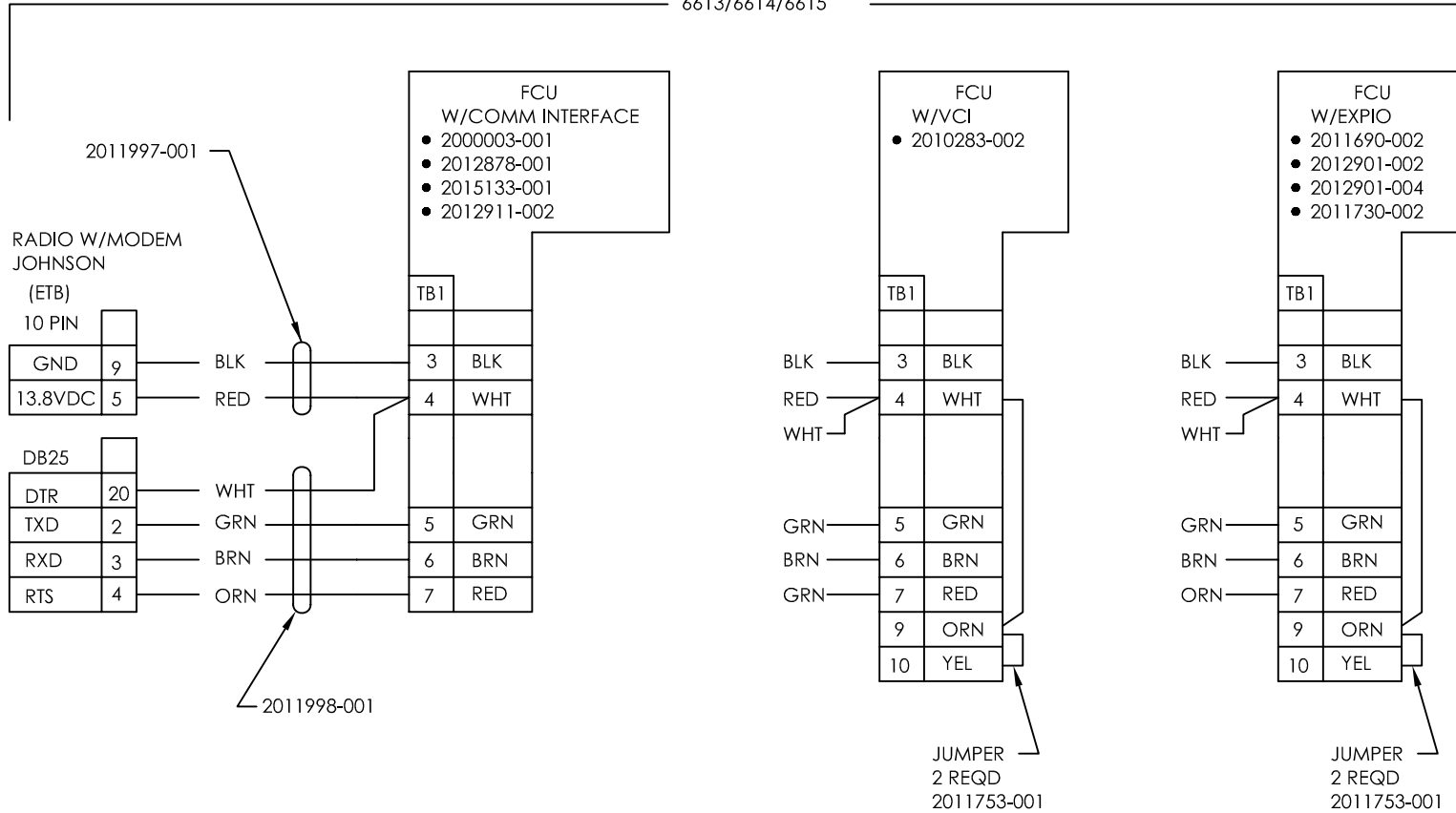


REVISIONS					
REV	ACTION	DRAWN	CHECKED	APPROVED	DATE
AL	D12407	KASTNER	KASTNER	HOLLAND	01/12/11
AM	D14849	KASTNER	KASTNER	BUSHNELL	03/08/01
AN	D20703	KASTNER	KASTNER	BUSHNELL	07/08/21
AJ	D2659	KASTNER	KASTNER	HOLLAND	96/09/19
AK	D4016	KASTNER	KASTNER	HOLLAND	96/12/30

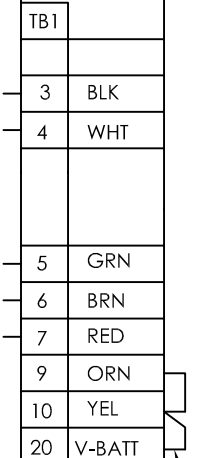
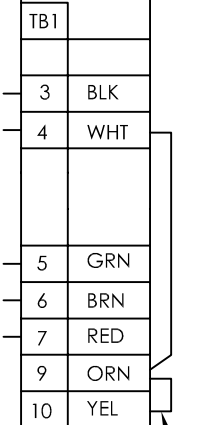
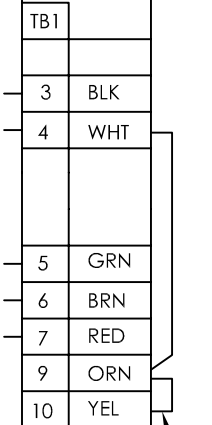
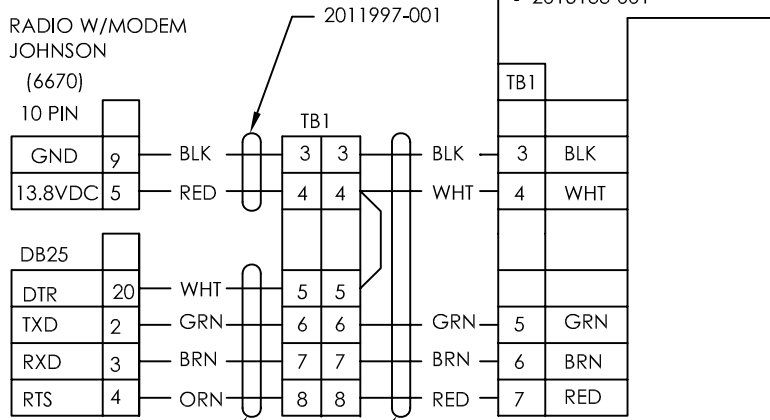
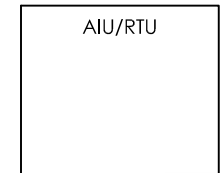
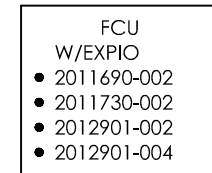
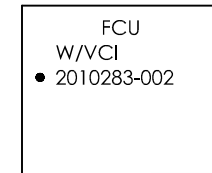
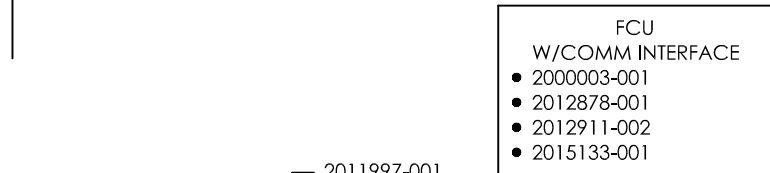


ASSEMBLY/QUANTITY	ITEM NO.	PART NUMBER	DESCRIPTION	REF/ZONE DESIG MATERIAL	UNIT MEAS	
PARTS LIST						
<p>THIRD ANGLE PROJECTION</p>	<p>UNLESS OTHERWISE SPECIFIED DIMENSIONS ARE IN INCHES</p> <p>TOLERANCES ARE: DECIMAL ANGULAR .XX ± ± --- .XXX ± ---</p> <p>BREAK ALL SHARP CORNERS AND EDGES DIMENSIONS APPLY BEFORE FINISH DO NOT SCALE DRAWING</p>	PRODUCT LINE	TOTALFLOW®	LEVEL	3	
		DESIGN	HOLLAND	DATE	8/90	<p>TOTALFLOW Products</p> <p>TITLE WIRING INTERCONNECT RADIO W/MODEM, JOHNSON WI</p>
		DRAWN	S. SMITH	DATE	8/90	
		CHECKED	HOLTSCLAW	DATE	9/90	
		APPROVED	G. HOLLAND	DATE	9/7/90	SCALE
		SEE	B	DOC TYPE	WI	
		DRAWING NO.	2012665		REV	AN 1
				SHEET	1 OF 13	

6613/6614/6615

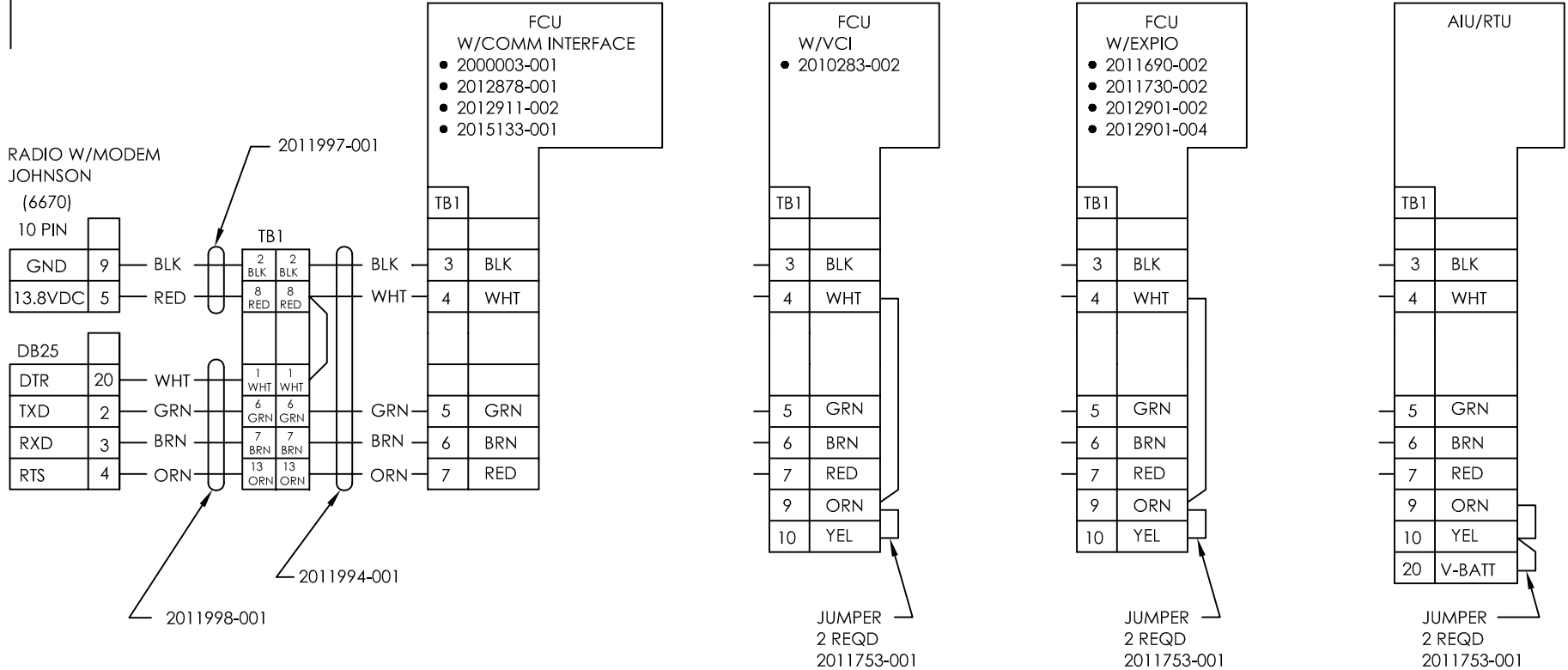


6670 6610/6611/6612 6680

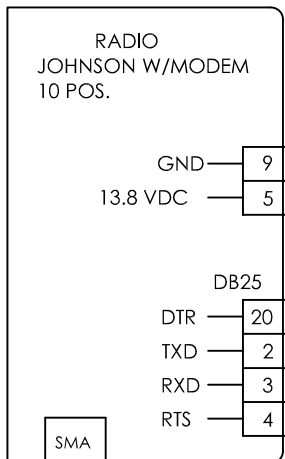


RADIO EXTERNAL TO FCU OR AIU

6770 6610/6611/6612 6680

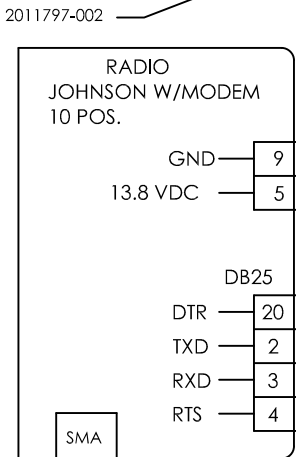
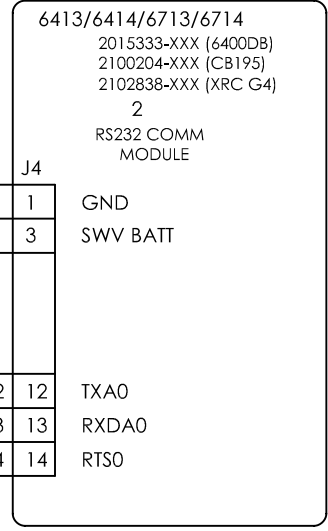
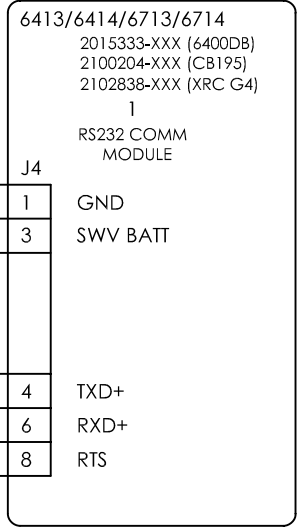


RADIO EXTERNAL TO FCU OR AIU



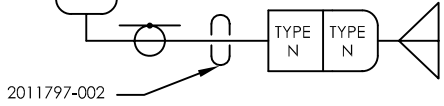
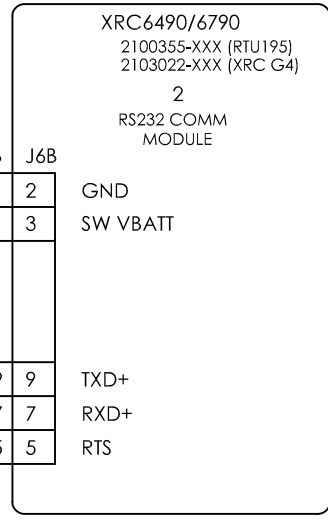
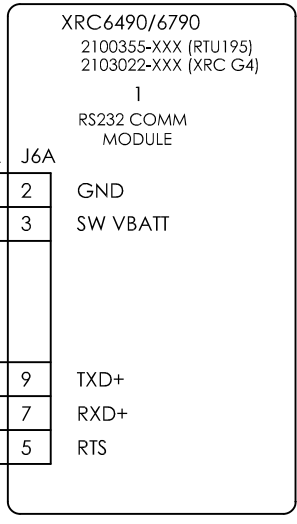
MODEL
ELEK PCBA NO.

COMM
I/O OPTION PCBA



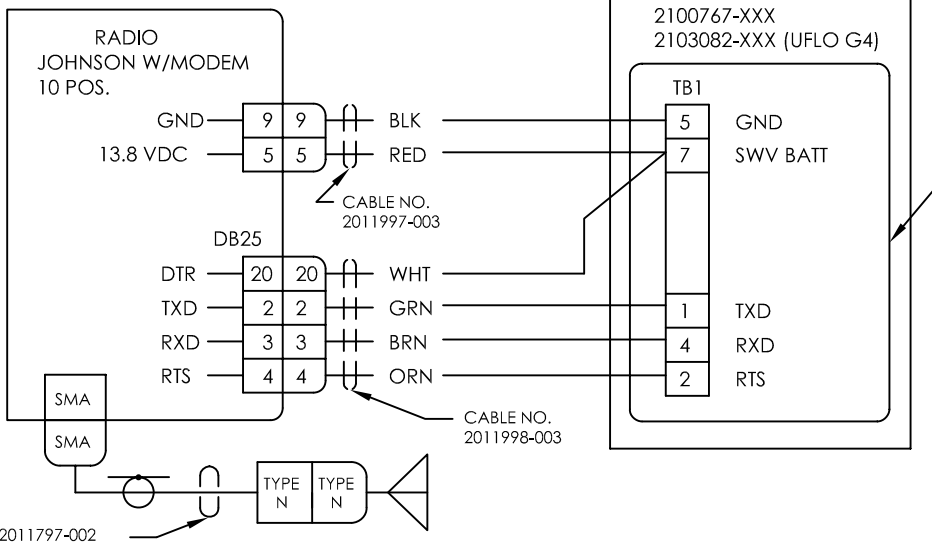
MODEL
ELEK PCBA NO.

COMM
I/O OPTION PCBA

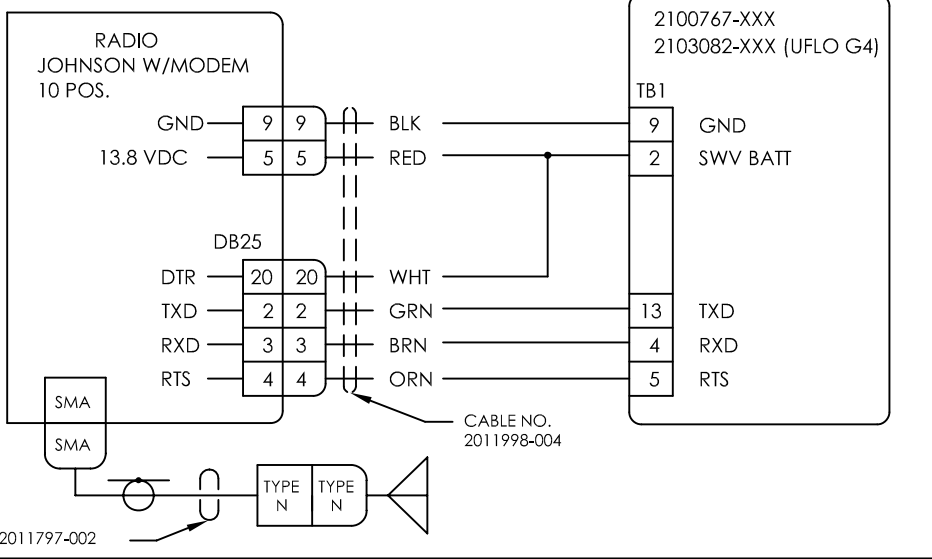


SCALE	SEE	DOC TYPE	DRAWING NO.	REV	SHEET
NONE	B	WI	2012665	AN	5

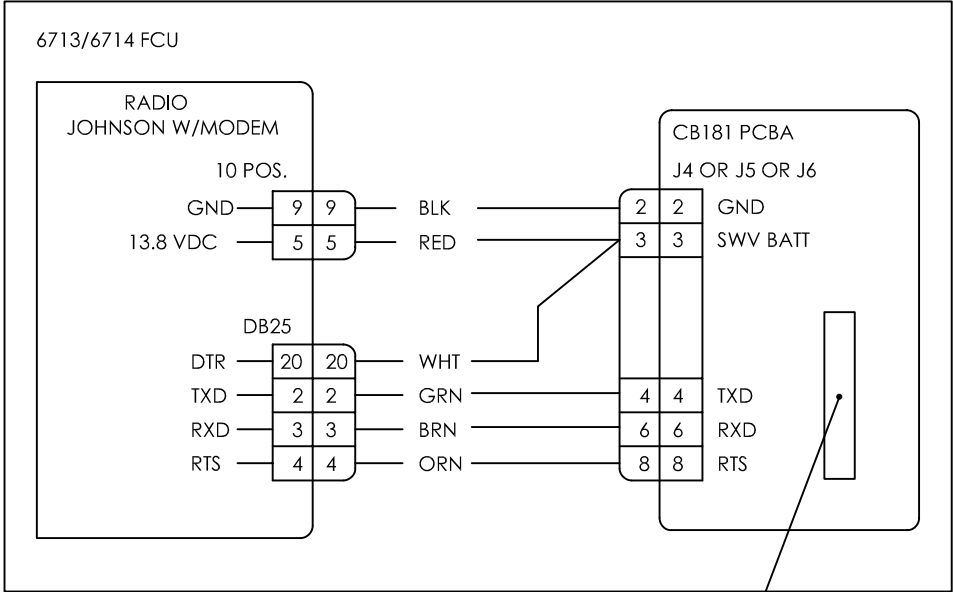
UFLO 6213 W/RS232 COMM OPTION



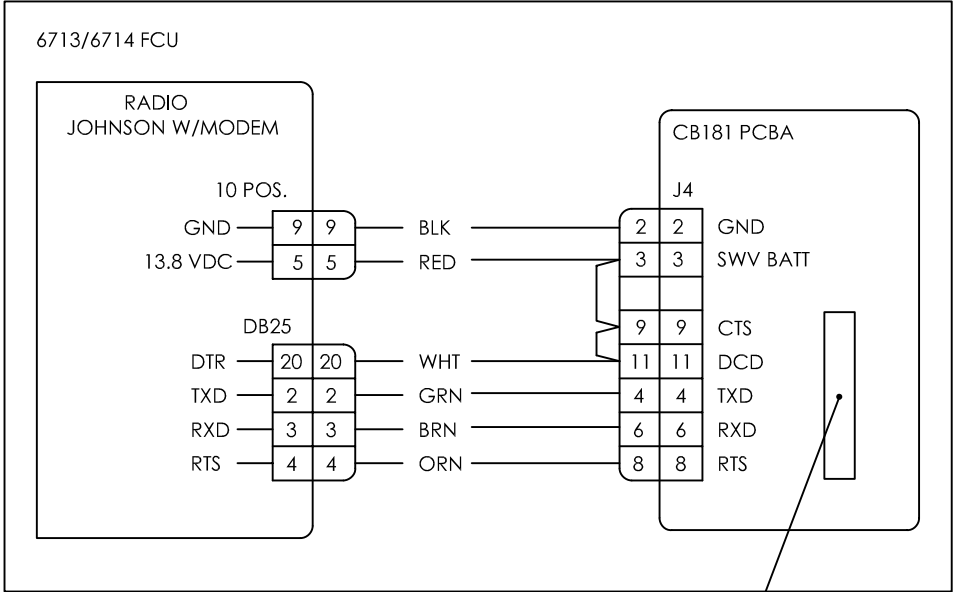
UFLO 6213 W/O COMM OPTION



SCALE	SEE	DOC TYPE	DRAWING NO.	REV	SHEET
NONE	B	WI	2012665	AN	6

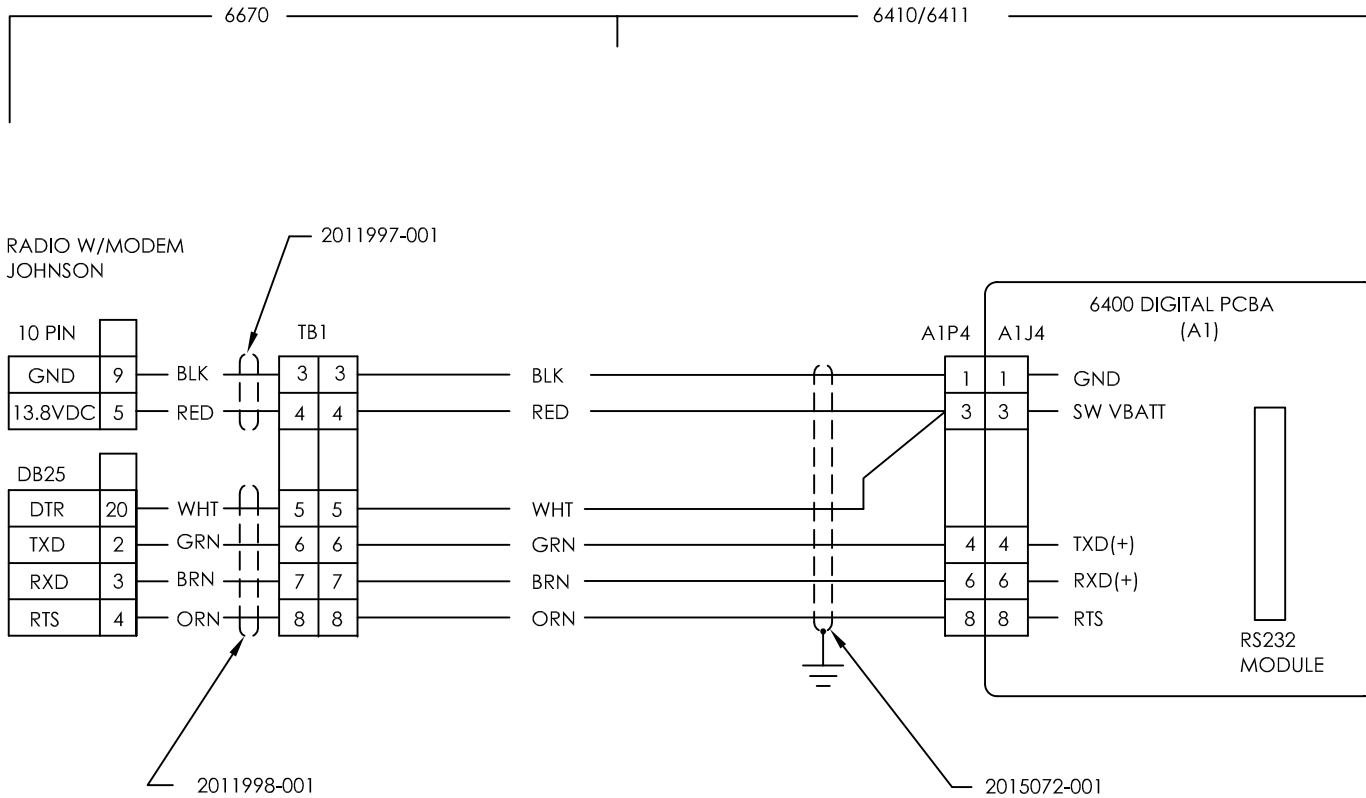


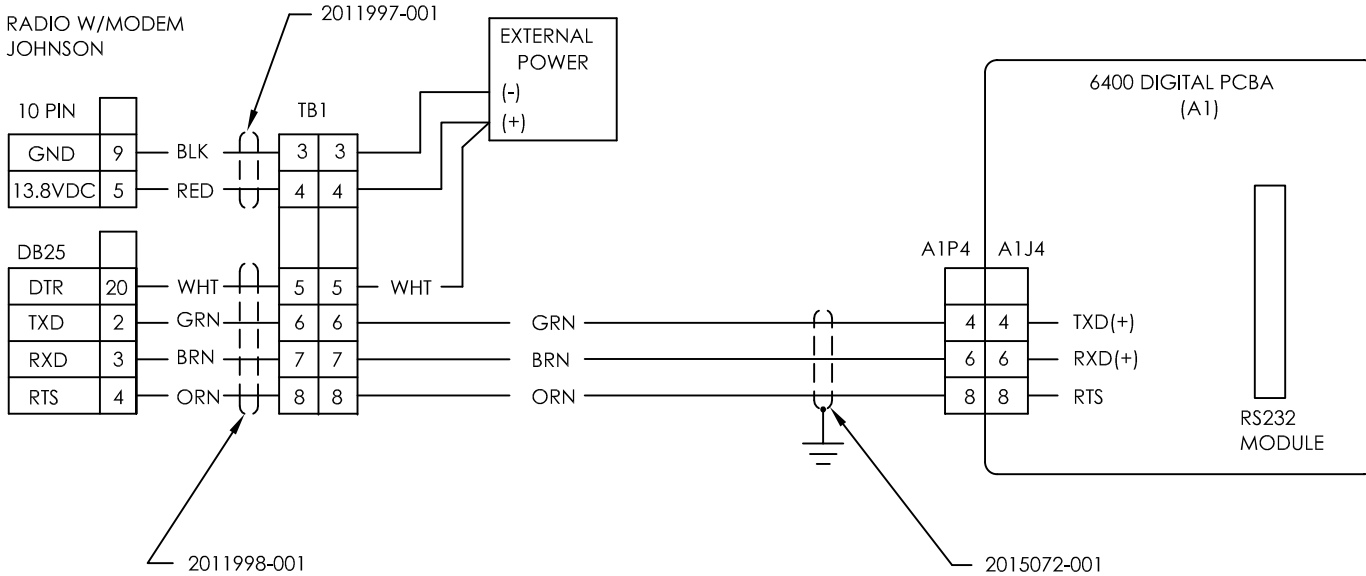
COMM MODULE, RS232
2015192-001
OR
RS232 CARD (EXCEPT EXPIO PCBA)



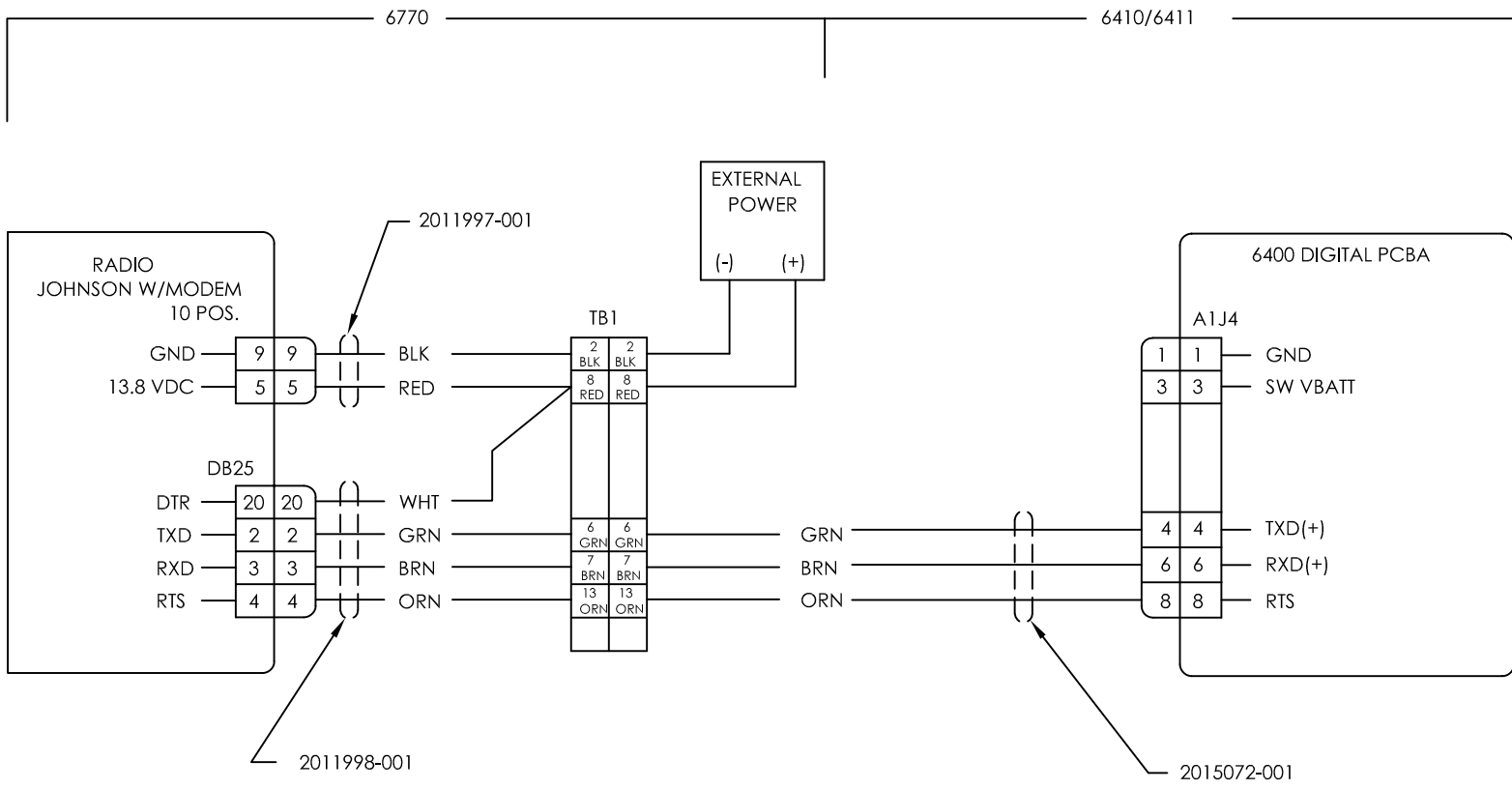
EXPIO PCBA, (RS232)
 2012901-002
 OR
 2015452-001/002 W/RS232 COMM MODULE

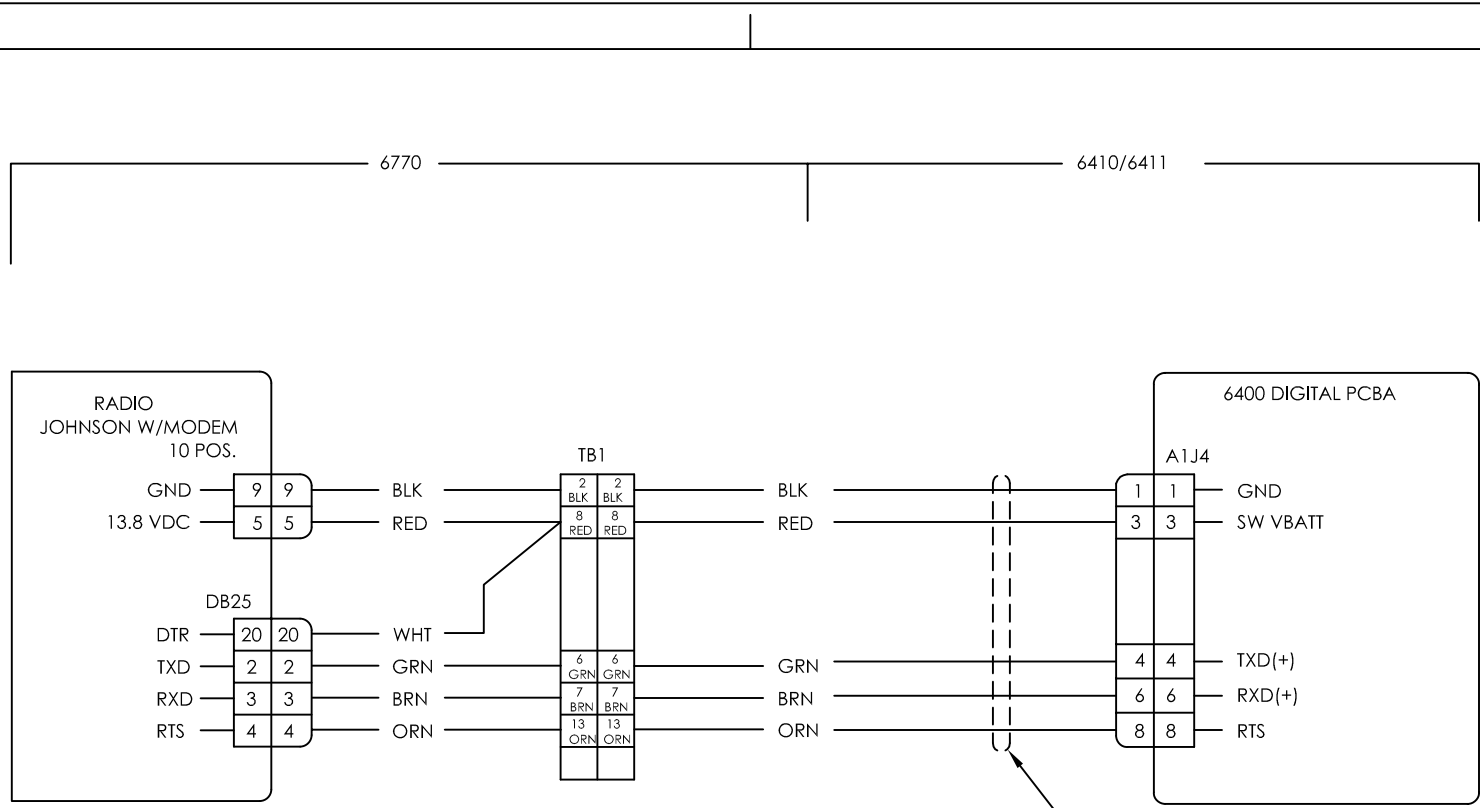
SCALE	SEE	DOC TYPE	DRAWING NO.	REV	SHEET
NONE	B	WI	2012665	AN	8





SCALE	SEE	DOC TYPE	DRAWING NO.	REV	SHEET
NONE	B	WI	2012665	AN	10





SCALE	SIZE	DDIC TYPE	DRAWING NO.	REV	SHEET
NONE	B	WI	2012665	AN	12

RADIO W/MODEM
JOHNSON

