

14

13

12

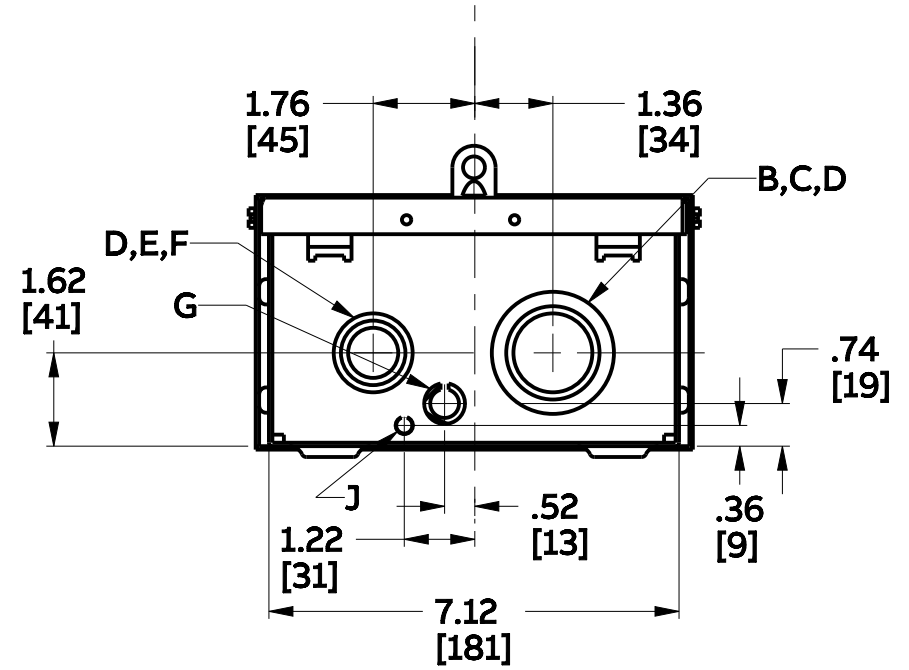
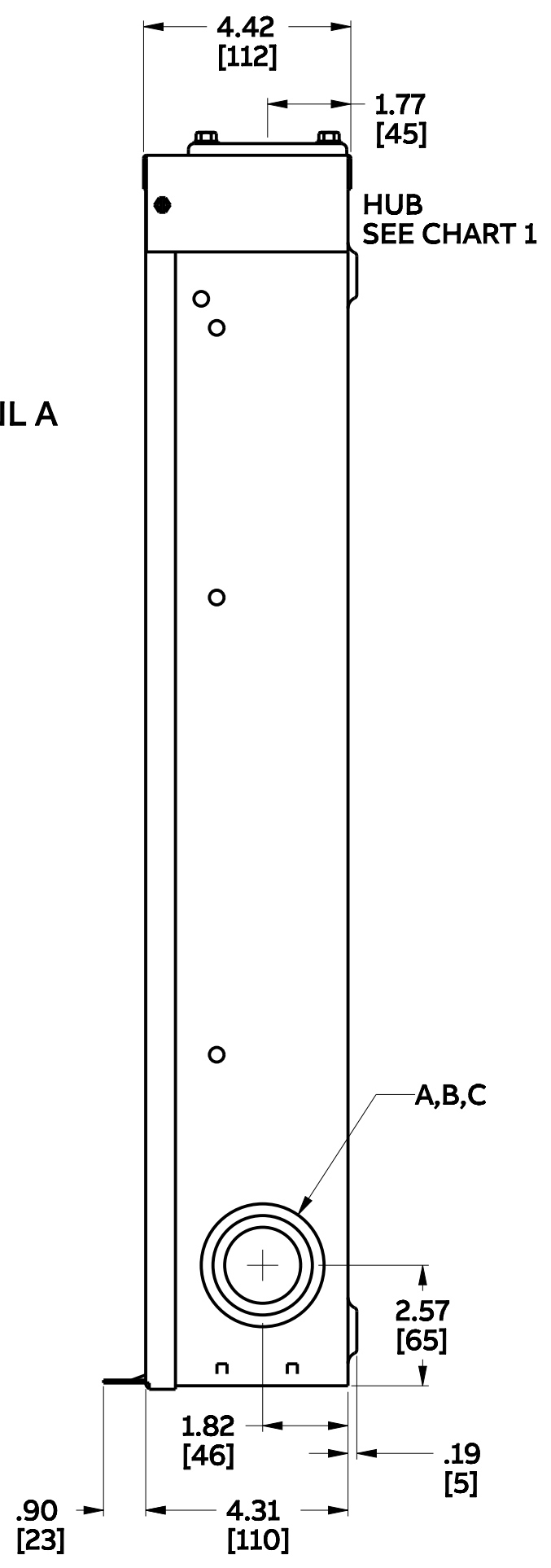
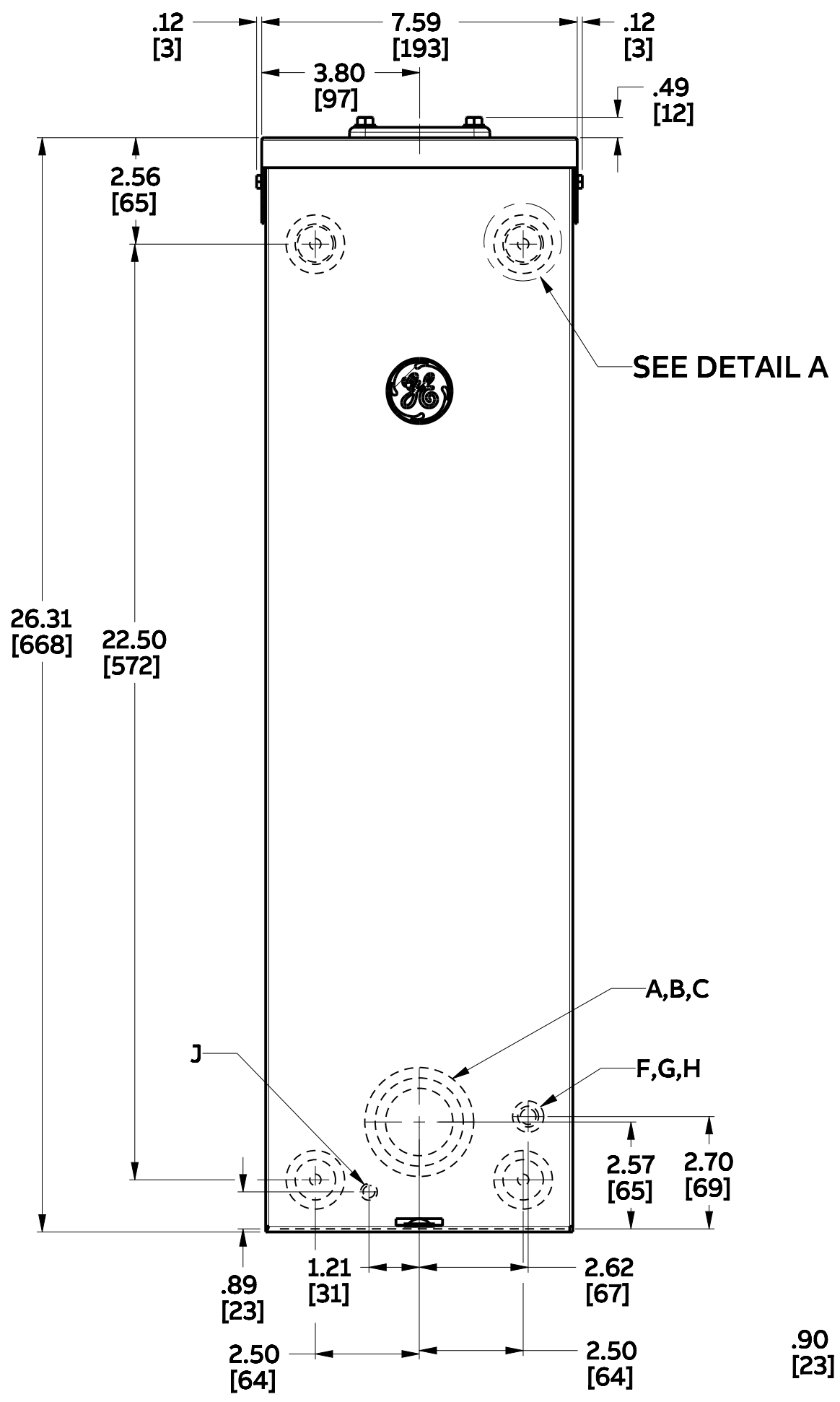
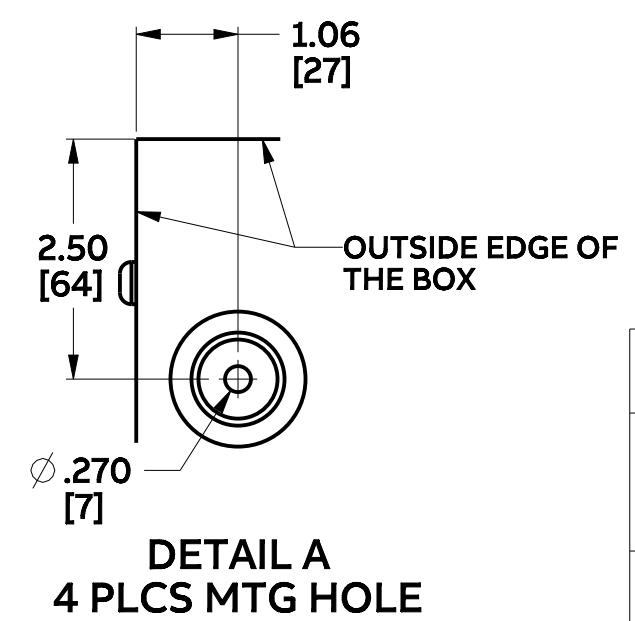
11

CIRCUIT BREAKER TERMINAL LUG DATA			
CIRCUIT BREAKER CAT NO. PREFIX	AMPERE RATING	LUG TYPE	WIRE SIZE (AWG\KCMIL)
TQD,THQD	225	TCAL25	(1) #4-300 CU-AL

FIELD INSTALLABLE NEUTRAL ASSEMBLY AND GROUND KIT			
CAT NO. PREFIX	TYPE	AMPERE RATING	WIRE SIZE (AWG\KCMIL)
TGL1	GND KIT	70-125A	(4) #14-8 CU (4) #12-8 AL (3) #14-4 CU (3) #6-4 AL
TNIA225	NEUTRAL ASM	225A	(1) #1-300 CU-AL

CHART 1		
CONDUIT	UNIVERSAL HUB	INTERCHANGEABLE RAINPROOF BOX HUB
	CAT. NO.	USE WITH CAT NO'S USING SUFFIX "R4"
3/4	TC75	-
1"	TC100	TC4DH
1 1/4	TC125	TC4EH
1 1/2	TC150	TC4GH
2	TC200	TC4HH
2 1/2	TC250	TC4WH
CLOSING CAP	TCCP	TC4WC

CHART 2 KNOCKOUTS				
SYMBOLS	CONDUIT SIZE		DIAMETER	
	IN	MM	IN	MM
A	2 1/2	64	3	76
B	2	51	2 1/2	64
C	1 1/2	38	2	51
D	1 1/4	32	1 3/4	45
E	1	25.4	1 3/8	35
F	3/4	19	1 1/8	29
G	1/2	13	7/8	22
H	3/8	10	3/8	10
J	9/32	7	9/32	7



**FOR USE WITH ABB TYPE
BREAKER
TQD & THQD**

- NOTES:**
1. MATERIAL: LOW CARBON STEEL
 2. FINISH: ELECTROCOAT ENAMEL, GRAY
 3. AGENCY APPROVAL: cULus LISTED -FILE E11592
 4. SUITABLE FOR USE AS SERVICE EQUIPMENT WHEN NEUTRAL ASSEMBLY IS INSTALLED
 5. THE SHORT CIRCUIT RATING OF THIS ENCLOSED CIRCUIT BREAKER IS EQUAL TO THE INTERRUPTING RATING, AT THE SUPPLY VOLTAGE MARKED ON THE CIRCUIT BREAKER INSTALLED
 6. FOR ALTERNATE LUGS CONSULT THE BUYLOG
 7. HUB MGT HOLES TO BE PROVIDED BY CUSTOMER

DUAL DIMENSIONS INCHES [MILLIMETERS]

THIRD ANGLE	SHEET 1
	1 of 1

	Industrial Solutions	
OUTLINE DRAWING - NEMA TYPE 3R ENCLOSURE TQD150NRE, TQD200NRE, TQD225NR		
DWG NO. 139C5498SH3	DATE 04/20	REV 4

14

13

12

11