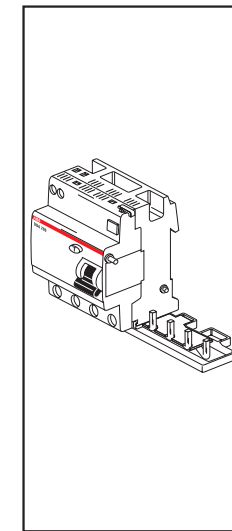


DDA 200
System pro M
compact®



2CSB423001DD006

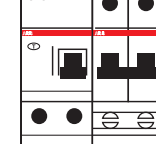
- | | |
|---------------|--------|
| DDA200 AC | S200 L |
| DDA200 A | S200 |
| DDA200 A S | S200 M |
| DDA200 A AP-R | S200 P |
| DDA200 A G | S300P |
| DDA200 F | |

ABB S.p.A.
V.le dell'Industria 18
20009 Vittuone (MI), Italy

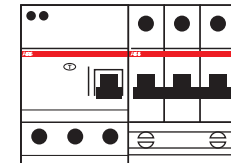


www.abb.com/lowvoltage

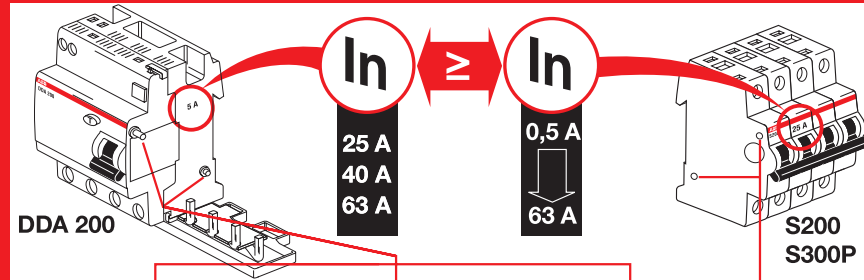
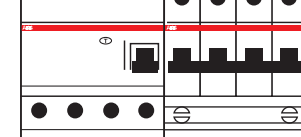
DDA 202 + S202 .../S201 ...NA
S302P .../S301P ...NA



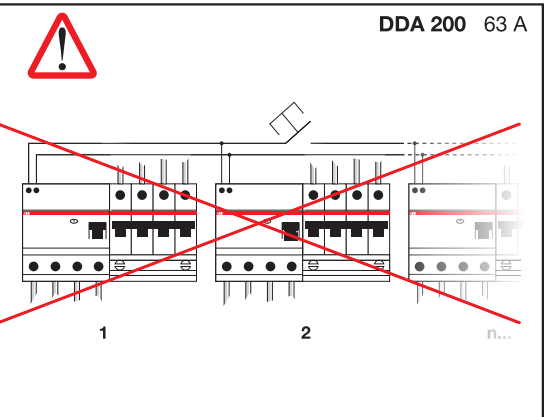
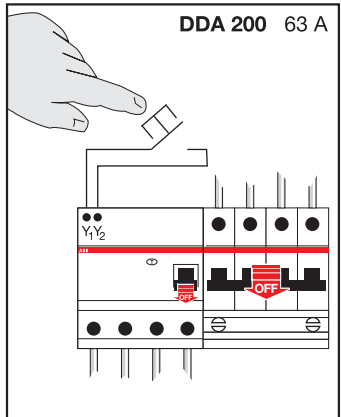
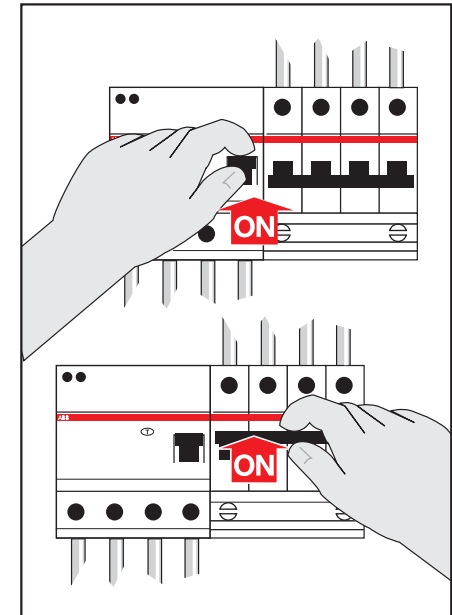
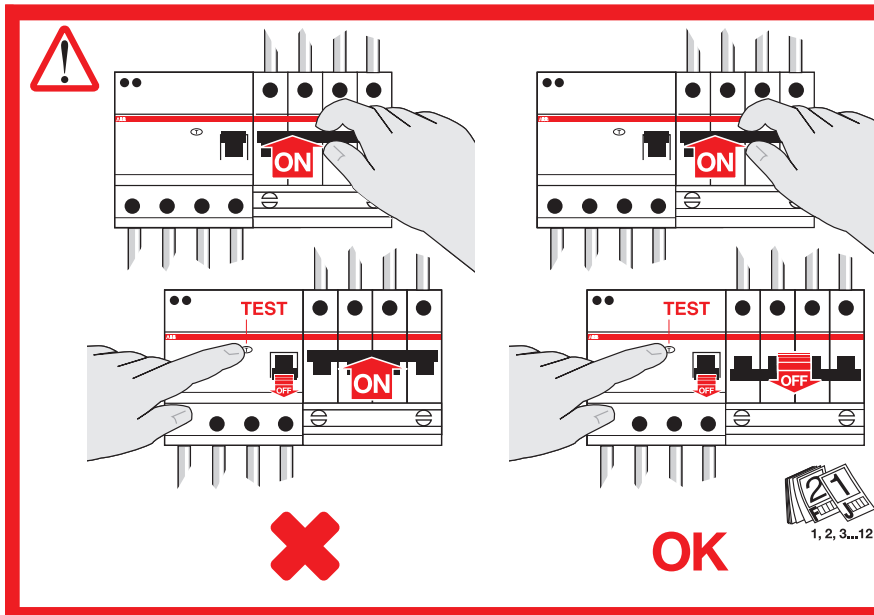
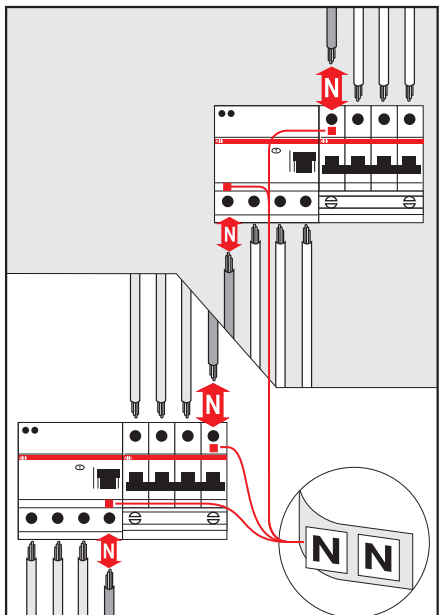
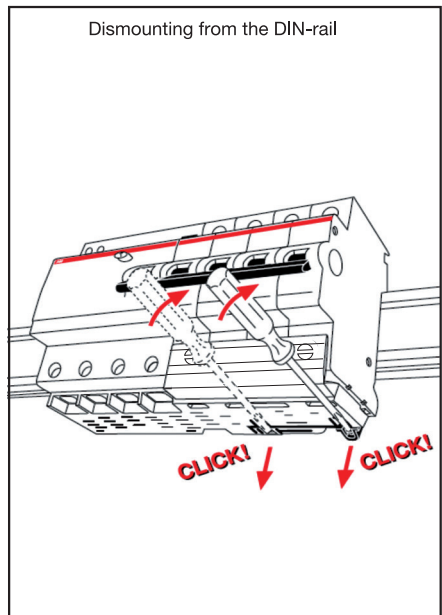
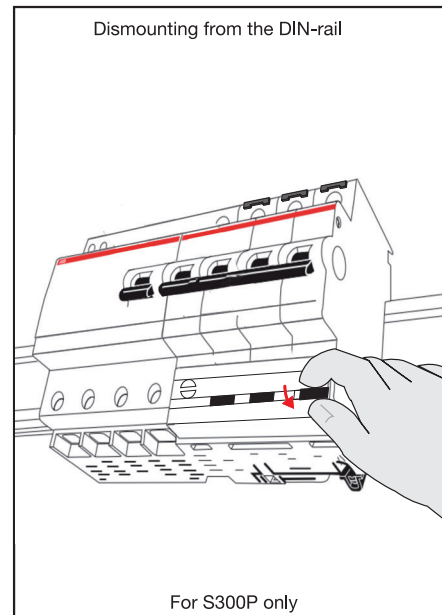
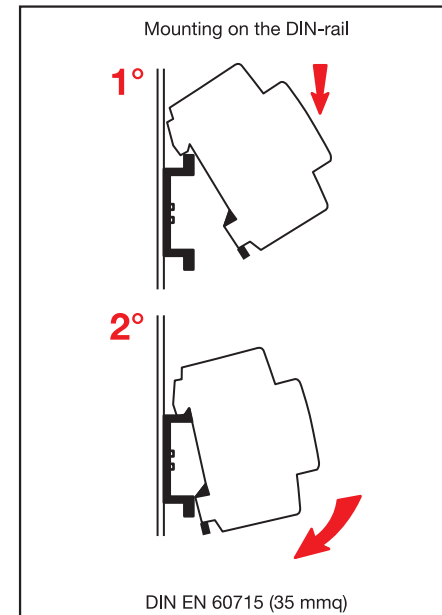
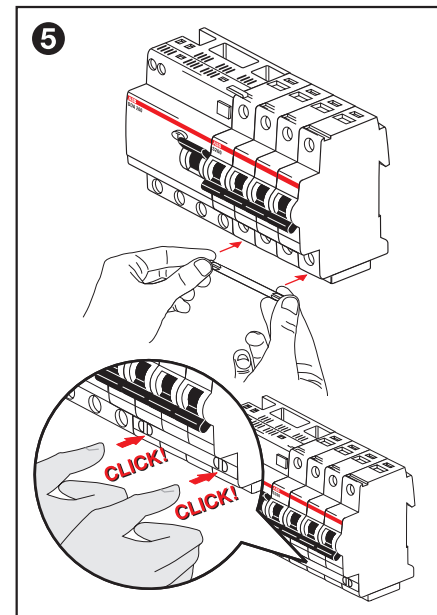
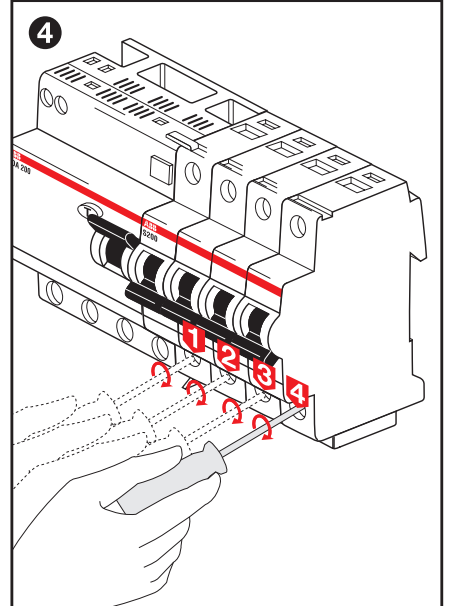
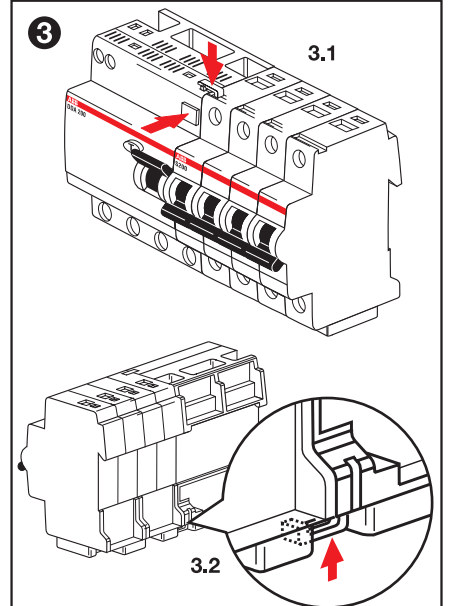
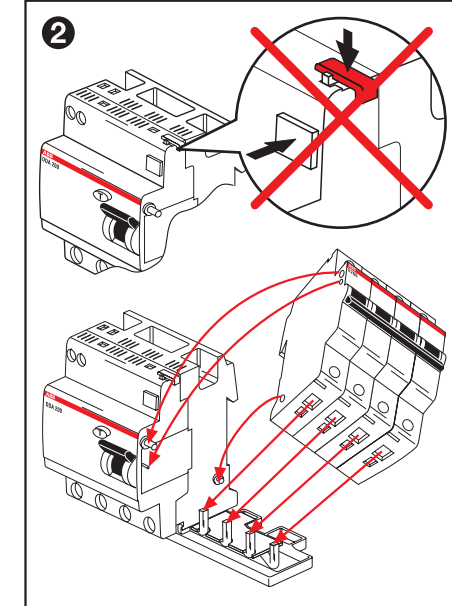
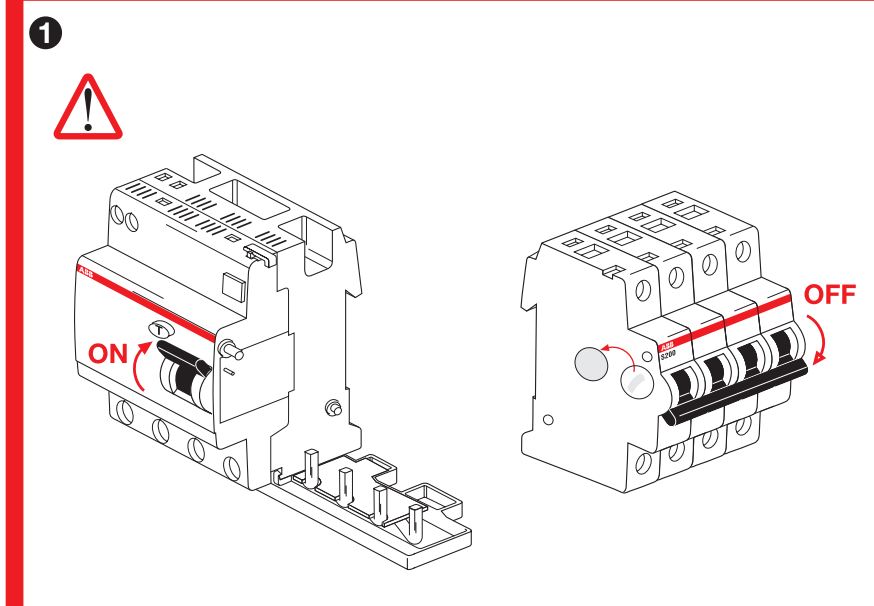
DDA 203 + S203 .../S303P



DDA 204 + S204 .../S203 ...NA S304P .../
S303P ...NA



63 A	40 A	25 A	
			0,5-25 A
			32 - 40 A
			50 - 63 A



Standard terminals System pro M compact (25 mm ²)	Additional terminals for remote tripping (6 mm ²)	
2P: 25A ≤ In ≤ 40A	12,5 mm	2,8 Nm
3P/4P: 25A ≤ In ≤ 40A	12,5 mm	1,2 Nm
2P/3P/4P: In = 63A	12,5 mm	2,8 Nm