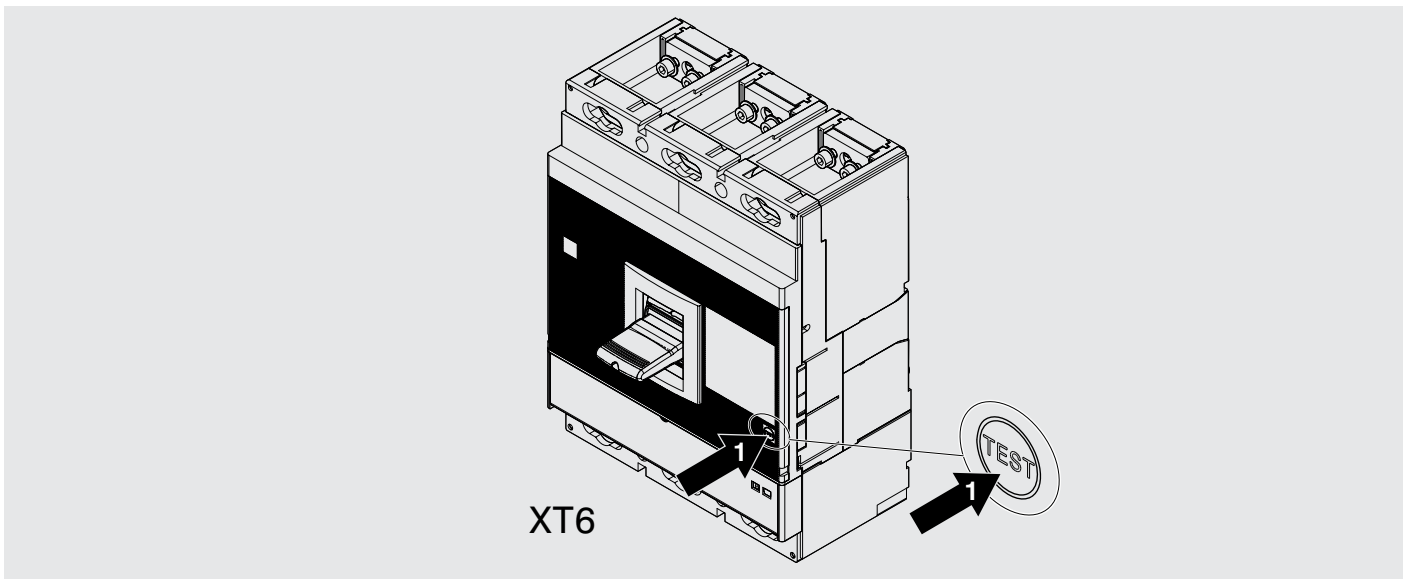
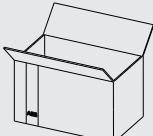
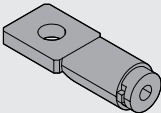

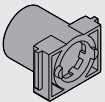
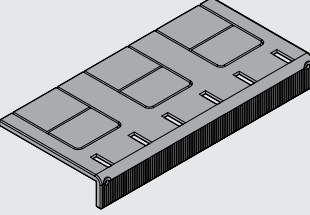
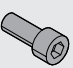




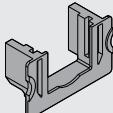


SACE Tmax XT

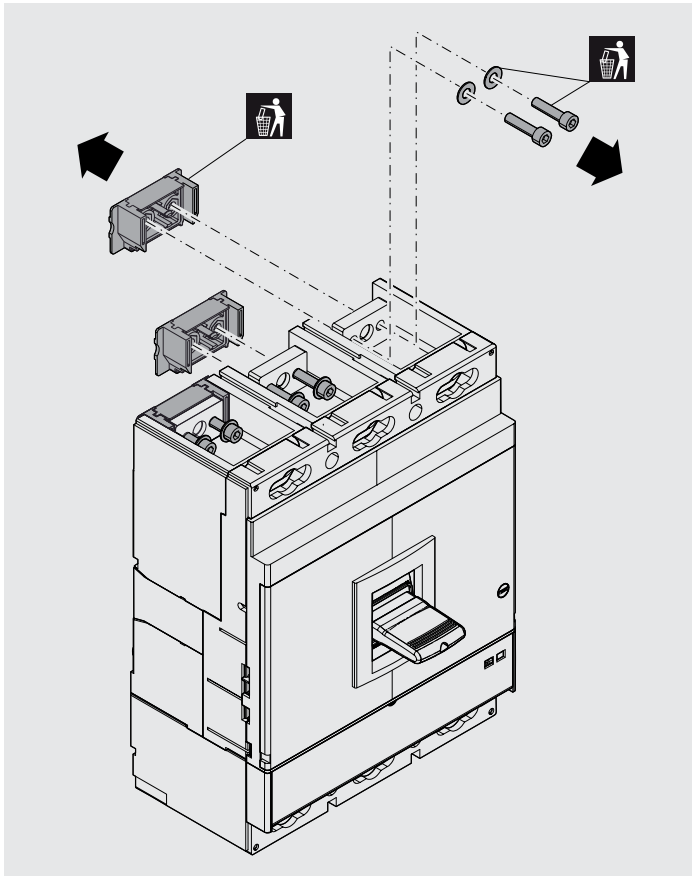
- R - Terminali posteriori orientabili XT6 fisso
- R - Adjustable rear terminals XT6 fixed
- R - Rückseitige drehbare Anschlüsse XT6, fest
- R - Prises arrière orientables XT6 fixe
- R - Terminales posteriores orientables XT6 fijo
- R - 可調節的後端子XT6固定

XT6



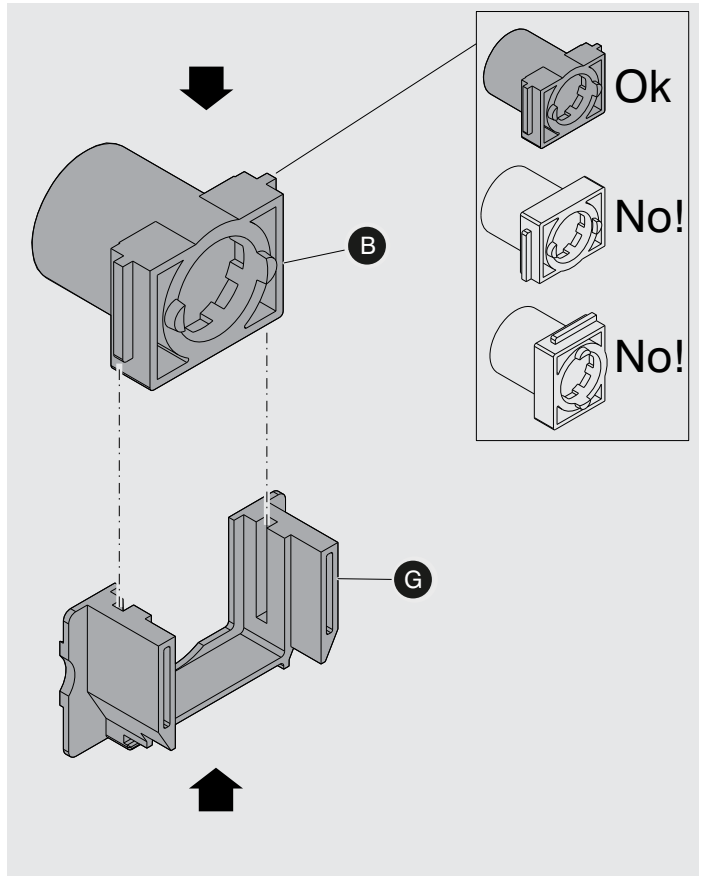
	3p	4p		3p	4p
					
A 	3	4	D 	3	4
B 	3	4	E 	1	1
C    M10x25	3	4	F   Ø3.5x12	2	2
			G 	3	4

1

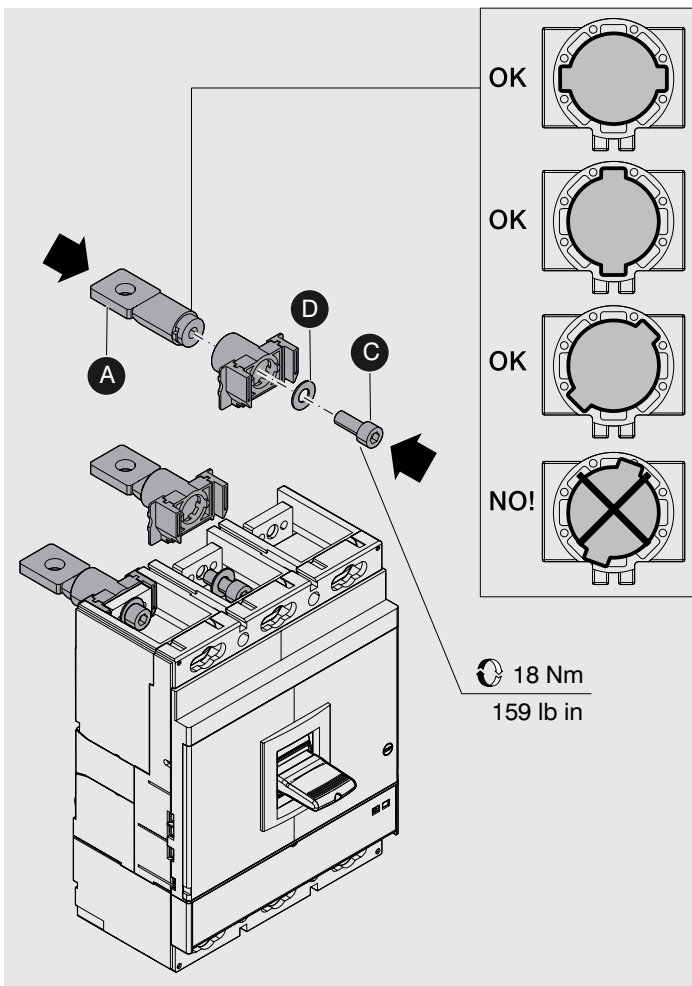


2

Only for top terminals

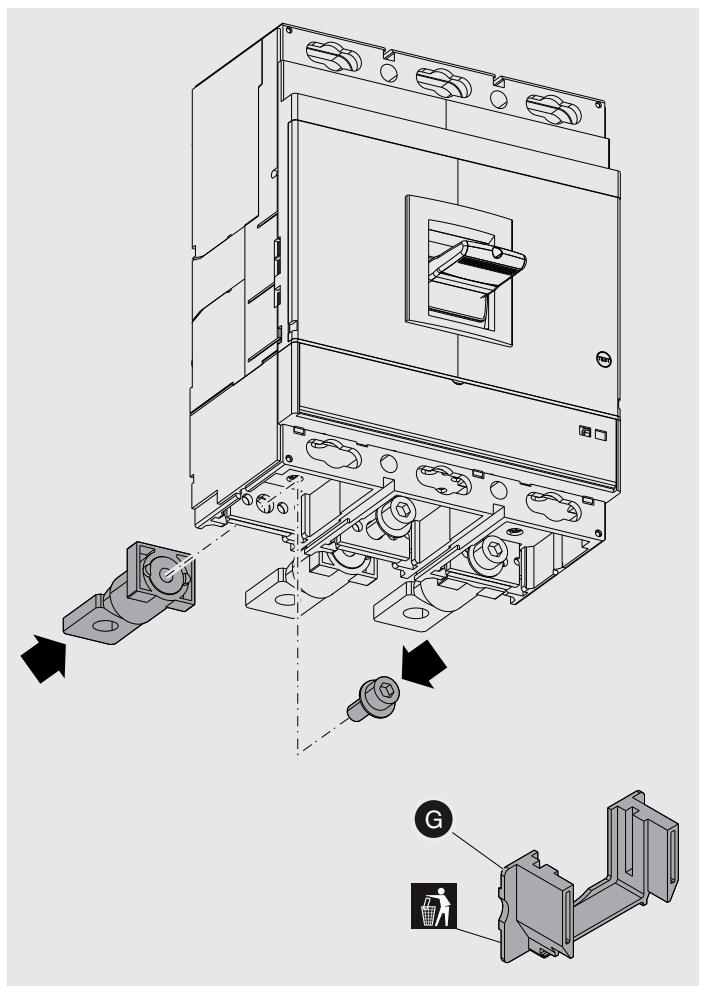


3



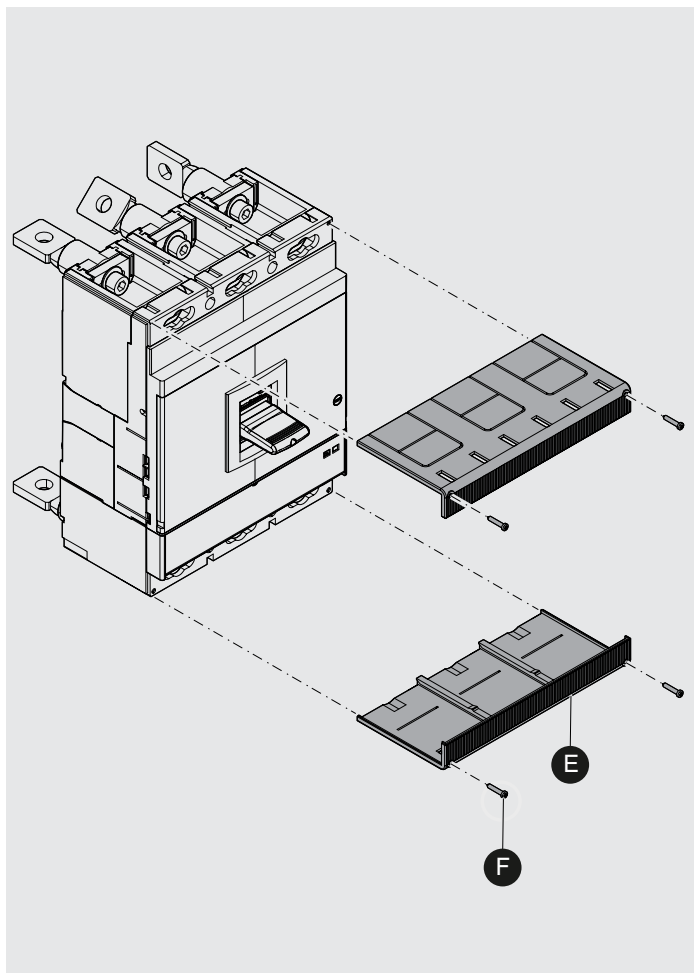
4

Only for lower terminals



5

Example with 3p



6

Example with 4p

