

MEDIUM VOLTAGE PRODUCT

# TJC 6

Indoor voltage transformers



Parameters	Values
Highest voltage for equipment	17.5 - 24 (25) kV
Power frequency test voltage, 1 min.	38 - 50 (55) kV
Lightning impulse test voltage	95 - 125 kV
Max. rated burden, classes	50/0.2 - 150/0.5 - 200/1 VA/cl
Residual winding	50 - 200/6P VA/cl

### Description

The TJC 6 single-pole insulated voltage transformers are cast in epoxy resin and designed mostly for insulation voltages of 17.5 to 25 kV.

Insulation voltages different from the above are the subject of an agreement between the manufacturer and the customer.

If no other value is required the transformers are manufactured with a overvoltage factor of  $1.9 \times U_n/8$  hrs. One outlet of the primary winding, including the respective terminal is insulated from the earth to a level which corresponds to the rated insulation value. The transformer is mostly equipped with two secondary windings, the first one for either measuring or protection purposes, the other for being connected into an open-delta connection in a threephase system. One terminal of each secondary winding and one of the open-delta connected terminals have to be earthed during the transformer operation. When not required otherwise, the secondary windings are lead out into a casttype secondary terminal board.

The transformer can be mounted in any position. The transformers are fixed by four screws, the M8 bolted earthing clamp is located on the transformer base plate. The secondary terminal board is covered with a transparent and sealable cover made of plastic material.

### Rated primary voltages

11/ $\sqrt{3}$  kV; 15/ $\sqrt{3}$  kV; 20/ $\sqrt{3}$  kV; 22/ $\sqrt{3}$  kV;  
Other primary voltages can also be supplied on request.

### Rated secondary voltages

100/ $\sqrt{3}$  V; 110/ $\sqrt{3}$  V – accuracy classes 0.2; 0.5; 1 (measuring winding) or 3P; 6P (protection winding). Other secondary voltages can also be supplied on request.

### Rated voltages for open-delta connection

100/3 V; 110/3 V- class 6P.  
Other voltages for open-delta connection can also be supplied based on customer requirement.

### Rated frequency

50 Hz; 60 Hz.

Based on a discussion with the manufacturer the transformer can also be designed for two primary voltage levels (with change over secondary side).

The transformers are manufactured conformably to the requirements and recommendations of the following standards and regulations: IEC, VDE, IEEE, BS, GOST and CSN.

For marking of the voltage transformer outlets see picture 01 a-e.

### Optional accessory

The TJC 6 can be delivered together with an external fuse holder as an option in case of interest. The fuse holder is equipped with JT6 fuse with tripping current 300 mA (recommended for system voltage above 6.6 kV) or 600 mA (recommended for system voltage up to 6.6 kV). It is delivered separately, not mounted to TJC 6, but together with all mounting accessories for easy installation. Fuse holder with fuse can be delivered fully separately as well.

01 Marking of the voltage transformers outlets

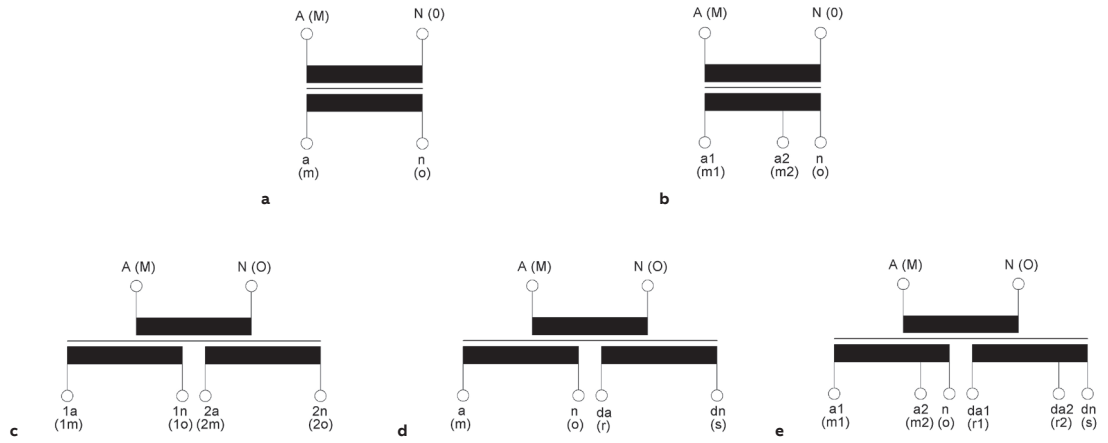
**a** Single-pole insulated transformer

**b** Single-pole insulated transformer with a tap

**c** Single-pole insulated transformer with two secondary windings

**d** Single-pole insulated transformer with two secondary windings, with one of which being the auxiliary (residual) winding

**e** Single-pole insulated transformer with two secondary, tapped windings, with one which being the auxiliary (residual) winding



01

**Standard execution of the transformers**

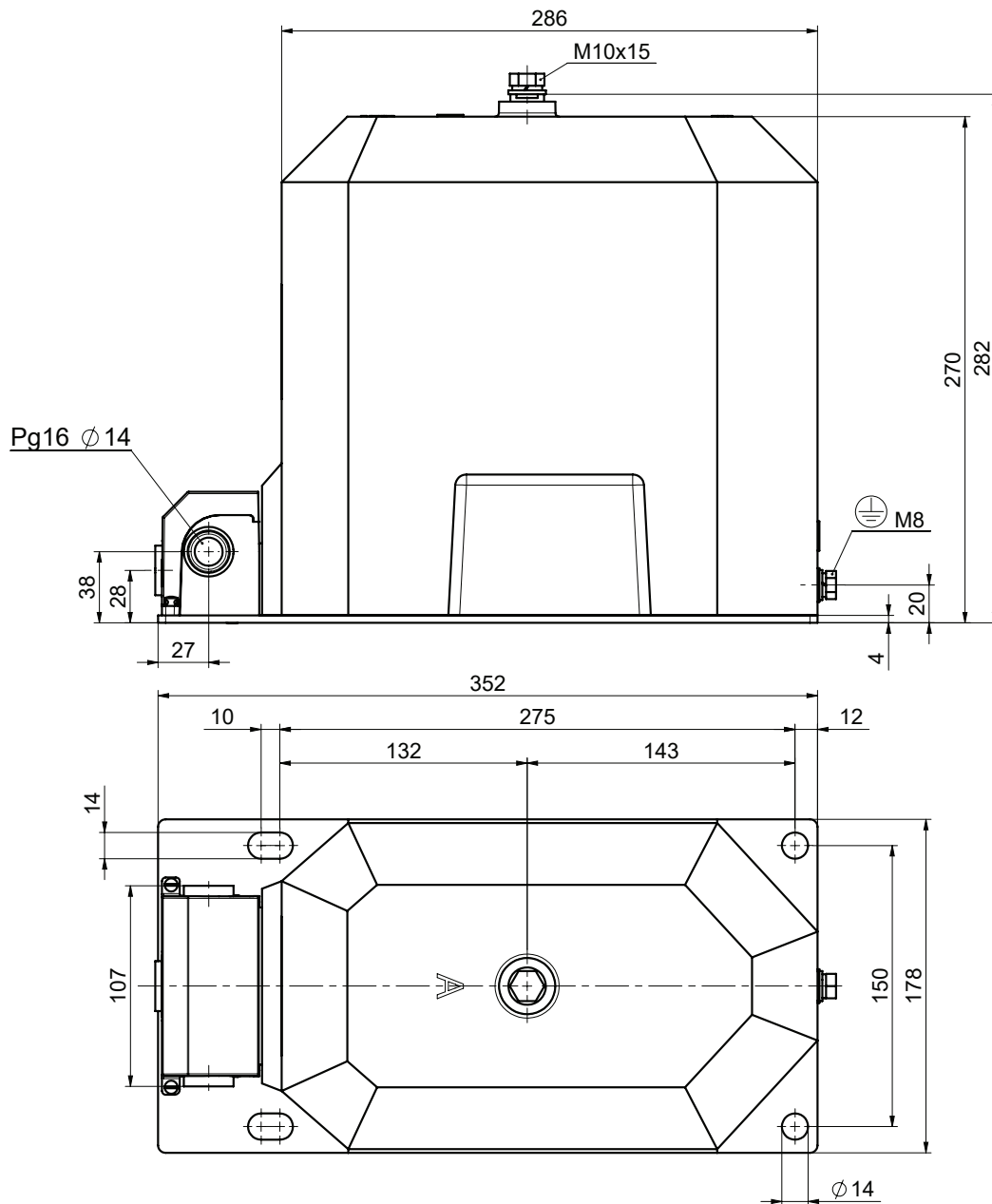
Primary voltage [V]	Secondary voltage			Residual winding		
	voltage [V]	accuracy	burden [VA]	voltage [V]	accuracy	burden [VA]
15 000/√3	100/√3	0.2	10;15;25			
15 000/√3	100/√3	0.2	10;15;25	100/3	6P	50
15 000/√3	100/√3	0.2	10;15;25	100/3	6P	100
15 000/√3	110/√3	0.2	10;15;25			
15 000/√3	110/√3	0.2	10;15;25	110/3	6P	50
15 000/√3	110/√3	0.2	10;15;25	110/3	6P	100
15 000/√3	100/√3	0.5	15;25;50			
15 000/√3	100/√3	0.5	15;25;50	100/3	6P	50
15 000/√3	100/√3	0.5	15;25;50	100/3	6P	100
15 000/√3	110/√3	0.5	15;25;50			
15 000/√3	110/√3	0.5	15;25;50	110/3	6P	50
15 000/√3	110/√3	0.5	15;25;50	110/3	6P	100
15 000/√3	100/√3	1	50;75;100			
15 000/√3	100/√3	1	50;75;100	100/3	6P	50
15 000/√3	100/√3	1	50;75;100	100/3	6P	100
15 000/√3	110/√3	1	50;75;100			
15 000/√3	110/√3	1	50;75;100	110/3	6P	50
15 000/√3	110/√3	1	50;75;100	110/3	6P	100
20 000/√3	100/√3	0.2	10;15;25			
20 000/√3	100/√3	0.2	10;15;25	100/3	6P	50
20 000/√3	100/√3	0.2	10;15;25	100/3	6P	100
20 000/√3	110/√3	0.2	10;15;25			
20 000/√3	110/√3	0.2	10;15;25	110/3	6P	50
20 000/√3	110/√3	0.2	10;15;25	110/3	6P	100
20 000/√3	100/√3	0.5	15;25;50			
20 000/√3	100/√3	0.5	15;25;50	100/3	6P	50
20 000/√3	100/√3	0.5	15;25;50	100/3	6P	100
20 000/√3	110/√3	0.5	15;25;50			
20 000/√3	110/√3	0.5	15;25;50	110/3	6P	50
20 000/√3	110/√3	0.5	15;25;50	110/3	6P	100
20 000/√3	100/√3	1	50;75;100			
20 000/√3	100/√3	1	50;75;100	100/3	6P	50

Primary voltage [V]	Secondary voltage			Residual winding		
	voltage [V]	accuracy	burden [VA]	voltage [V]	accuracy	burden [VA]
20 000/ $\sqrt{3}$	100/ $\sqrt{3}$	1	50;75;100	100/3	6P	100
20 000/ $\sqrt{3}$	110/ $\sqrt{3}$	1	50;75;100			
20 000/ $\sqrt{3}$	110/ $\sqrt{3}$	1	50;75;100	110/3	6P	50
20 000/ $\sqrt{3}$	110/ $\sqrt{3}$	1	50;75;100	110/3	6P	100
22 000/ $\sqrt{3}$	100/ $\sqrt{3}$	0.2	10;15;25			
22 000/ $\sqrt{3}$	100/ $\sqrt{3}$	0.2	10;15;25	100/3	6P	50
22 000/ $\sqrt{3}$	100/ $\sqrt{3}$	0.2	10;15;25	100/3	6P	100
22 000/ $\sqrt{3}$	110/ $\sqrt{3}$	0.2	10;15;25			
22 000/ $\sqrt{3}$	110/ $\sqrt{3}$	0.2	10;15;25	110/3	6P	50
22 000/ $\sqrt{3}$	110/ $\sqrt{3}$	0.2	10;15;25	110/3	6P	100
22 000/ $\sqrt{3}$	100/ $\sqrt{3}$	0.5	15;25;50			
22 000/ $\sqrt{3}$	100/ $\sqrt{3}$	0.5	15;25;50	100/3	6P	50
22 000/ $\sqrt{3}$	100/ $\sqrt{3}$	0.5	15;25;50	100/3	6P	100
22 000/ $\sqrt{3}$	110/ $\sqrt{3}$	0.5	15;25;50			
22 000/ $\sqrt{3}$	110/ $\sqrt{3}$	0.5	15;25;50	110/3	6P	50
22 000/ $\sqrt{3}$	110/ $\sqrt{3}$	0.5	15;25;50	110/3	6P	100
22 000/ $\sqrt{3}$	100/ $\sqrt{3}$	1	50;75;100			
22 000/ $\sqrt{3}$	100/ $\sqrt{3}$	1	50;75;100	100/3	6P	50
22 000/ $\sqrt{3}$	100/ $\sqrt{3}$	1	50;75;100	100/3	6P	100
22 000/ $\sqrt{3}$	110/ $\sqrt{3}$	1	50;75;100			
22 000/ $\sqrt{3}$	110/ $\sqrt{3}$	1	50;75;100	110/3	6P	50
22 000/ $\sqrt{3}$	110/ $\sqrt{3}$	1	50;75;100	110/3	6P	100

## Dimensional Drawing

TJC 6

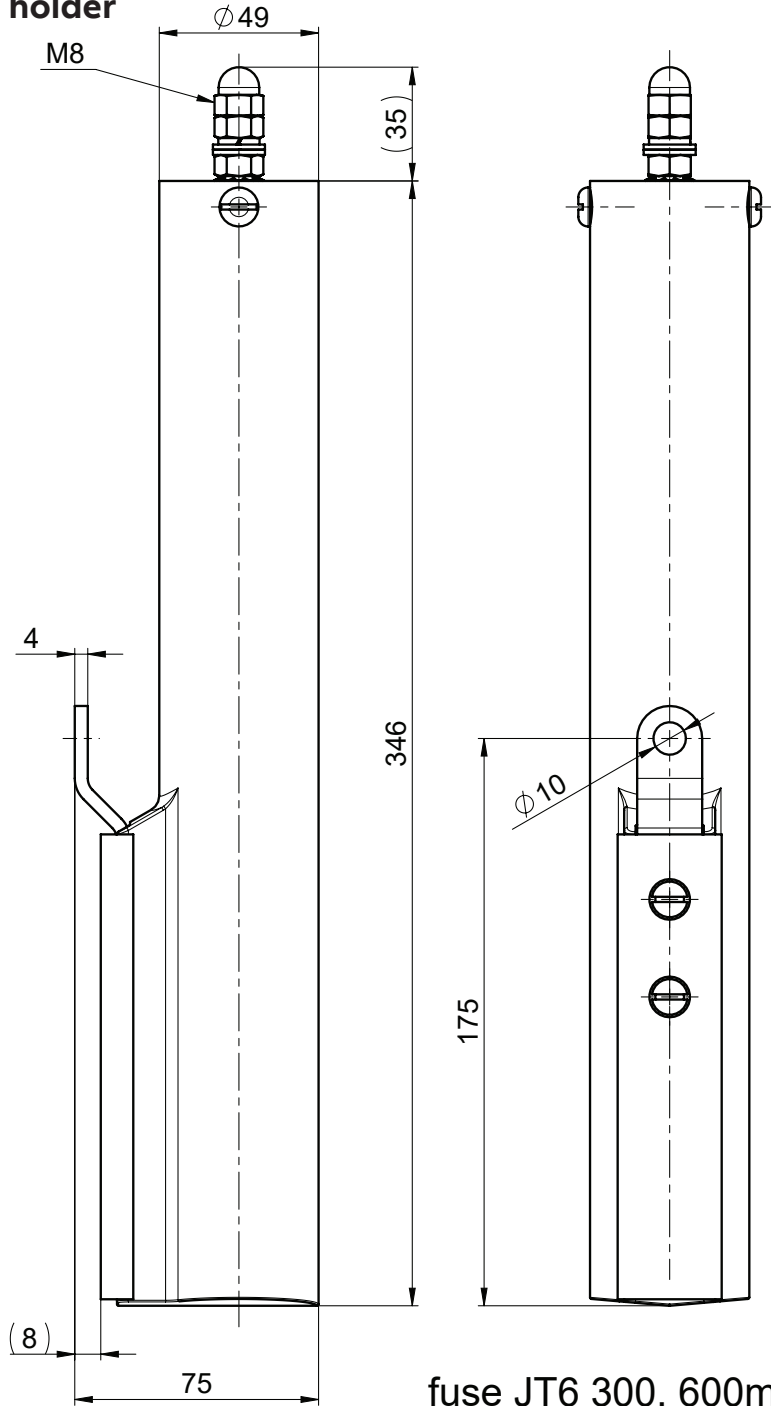
Weight: appr. 38 kg  
Creepage Distance: 338 mm



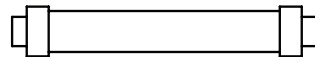
Drawing n.

44203580

**External fuse holder**



fuse JT6 300 mA	1VL4200499R0201
fuse JT6 600 mA	1VL4200499R0202
without fuse	1VL4200499R0203



---

**CONTACT US**

ABB s.r.o.  
ELDS Brno  
Videnska 117, 619 00 Brno,  
Czech Republic  
Tel.: +420 547 152 021  
+420 547 152 854  
Fax: +420 547 152 626  
E-mail: kontakt@cz.abb.com

---

**NOTE**

We reserve the right to make technical changes or modify the contents of this document without prior notice. With regard to purchase orders, the agreed particulars shall prevail. ABB does not accept any responsibility whatsoever for potential errors or possible lack of information in this document.

We reserve all rights in this document and in the subject matter and illustrations contained therein. Any reproduction, disclosure to third parties or utilization of its contents - in whole or in parts - is forbidden without prior written consent of ABB.

Copyright© 2021 ABB  
All rights reserved.