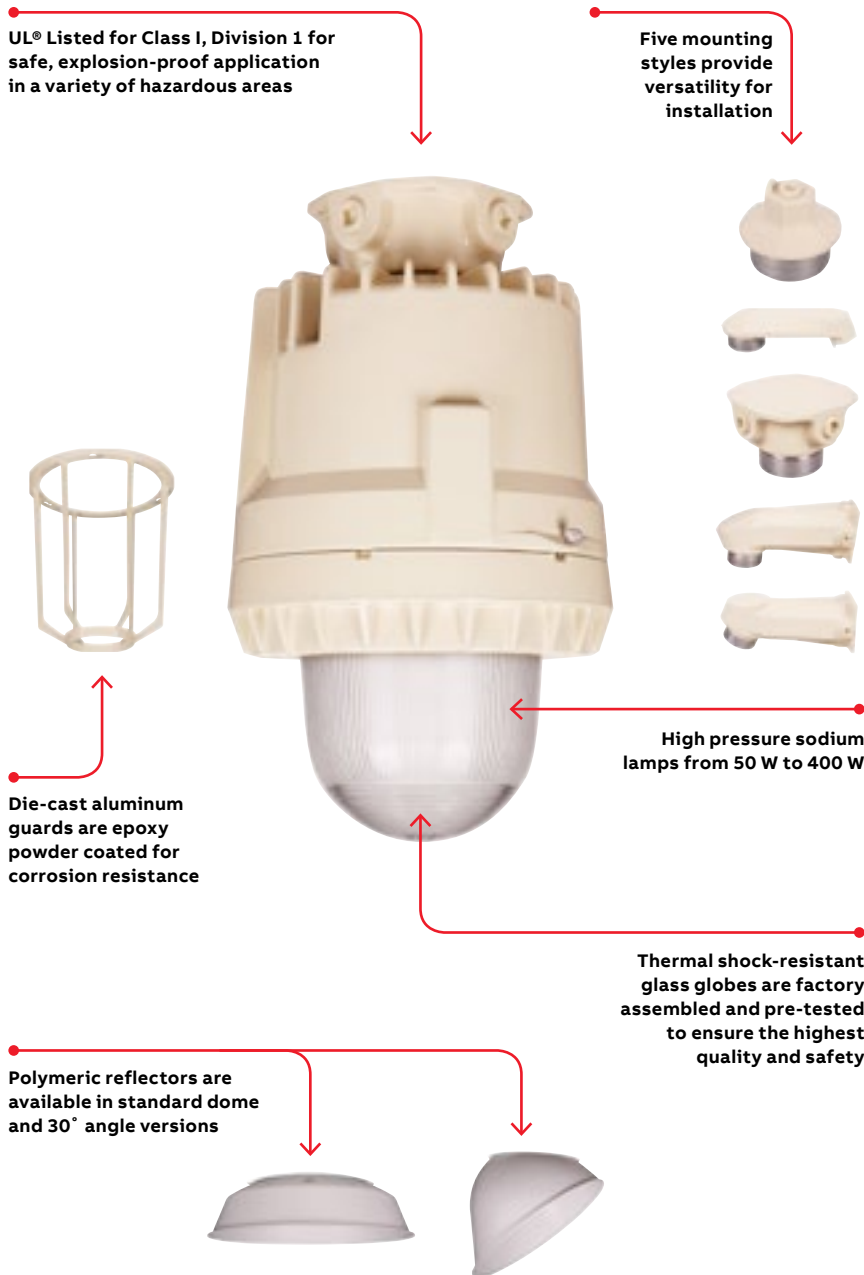


Hazlux® 5 HID

Your go-to versatile explosion-proof lighting fixture, ideal for use in marine and wet locations, and a variety of hazardous areas.

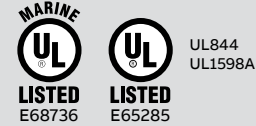


CLASSIFICATION

| CLASS I | |
|------------|----------------------|
| Division 1 | Groups C, D |
| Division 2 | Groups A, B, C, D |
| Zone 1 | Groups IIC, IIB, IIA |
| CLASS II | |
| Division 1 | Groups E, F, G |
| Division 2 | Groups E, F, G |

Classification may vary upon light source and wattage. For details, see thermal performance chart on p. 30-31.

CERTIFICATIONS



Outdoor wet locations
Temperature range: -30 °C to 40 °C

Applications

- Chemical plants
- Oil refineries
- Waste treatment facilities
- Automotive manufacturing plants
- Paint manufacturing facilities
- Paint spray locations
- Chemical & plastic mixing and storage areas
- Pipeline pumping stations
- Oil and gas terminals
- Defense and government facilities

Hazlux® 5 HID

Key features and benefits

Features

- UL® Listed for Class I, Division 1 for safe, explosion-proof application in a variety of hazardous areas
- Factory-sealed assembly meets code requirements without the need for external sealing fittings
- Dual-pitch Acme threads make assembly easy and faster than designs with standard V-cut threads, greatly reducing the risk of cross threading
- Factory-wired connection block means ballast is pre-wired to lower half of electrical connection block, allowing wireless connection of ballast housing to mounting module
- Five mounting styles – pendant, ceiling, wall, angle stanchion and bulkhead – provide versatility for installation
- Thermal shock-resistant glass globes are factory assembled and pre-tested to ensure the highest quality and safety
- Die-cast aluminum guards are epoxy powder coated for corrosion resistance and have keyhole slots for easy attachment to stainless steel screws
- High-pressure sodium in wattages from 50 to 400 watts
- Polymeric reflectors are available in standard dome and 30° angle versions
- UL paint spray listed in wattages up to 100 watts

Wattages and voltages

- High-pressure sodium: 50–400 watts
- All luminaires: multi-tap standard (120, 208, 240, 277 V), wired 120 V (other voltages, frequencies available)

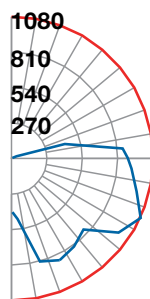
Materials and finishes

- Ballast housing: copper-free aluminum, powder finish
- Mounting modules: copper-free aluminum, powder finish
- Hardware: stainless steel
- Globes: tempered glass
- Guard: copper-free aluminum, powder finish
- Reflectors: fiberglass-reinforced

Ceiling mount photometry

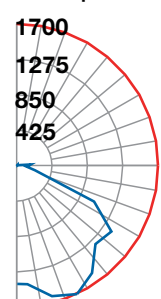
| Reference data | |
|------------------------------|------------------------|
| Catalog number | XSO10H090G-C2-E |
| Lamp | 100W HPS ED23 1/2 |
| Lamp lumens | 9500 |
| Input watts | 130 |
| Luminaire lumens | 7162 |
| Efficiency | 75% |
| Efficacy rating (LER) | 55.1 |
| Spacing criterion (0–180) | 2.66 |
| Spacing criterion (90–270) | 2.66 |
| Spacing criterion (diagonal) | 2.74 |

Candlepower curve



| Reference data | |
|------------------------------|------------------------------------|
| Catalog number | XSO10H090G-C2-E & VR31P |
| Lamp | 100W HPS ED23 1/2 |
| Lamp lumens | 9500 |
| Input watts | 130 |
| Luminaire lumens | 6254 |
| Efficiency | 66% |
| Efficacy rating (LER) | 48.1 |
| Spacing criterion (0–180) | 1.60 |
| Spacing criterion (90–270) | 1.60 |
| Spacing criterion (diagonal) | 1.70 |

Candlepower curve



Hazlux® 5 HID

Fixture assembly guide

1

Mounting style



Pendant mount



Stanchion mount



Ceiling mount



Wall mount



Bulkhead mount

2

Globe assemblies



Up to 150 HPS



250 HPS and 400 HPS

3

Guards

Cast guard
for 150 HPSCast guard
for 250 HPS

4

Optional reflectors (sold separately)



Standard dome



30° Angle reflector

Individual components

Mounting options

| Part number | Description | Conduit hub size |
|-------------|-----------------|------------------|
| XP2 | Pendant mount | ¾" |
| XP3 | Pendant mount | 1" |
| XS4 | Stanchion mount | 1¼" |
| XS5 | Stanchion mount | 1½" |
| XC2 | Ceiling mount | ¾" |
| XC3 | Ceiling mount | 1" |
| XB2 | Wall mount | ¾" |
| XB3 | Wall mount | 1" |
| XJ2 | Bulkhead mount | ¾" |
| XJ3 | Bulkhead mount | 1" |

Replacement globe assemblies¹

| Part number | Description |
|-------------|---|
| XGSA44 | Hazlux 5 replacement globe assembly – up to 150 HPS |
| XGSA44A | Hazlux 5 replacement globe assembly – 250 HPS & 400 HPS |

¹ For stainless steel inserts, please add "SI" to part no. (ex: XGSA44SI)

Guards

| Part number | Description |
|--------------------|---------------------|
| XGU44 | Cast aluminum guard |
| VGU31 ² | Cast aluminum guard |

² Used on all 400-watt fixtures and 250-watt HPS fixtures

Reflectors

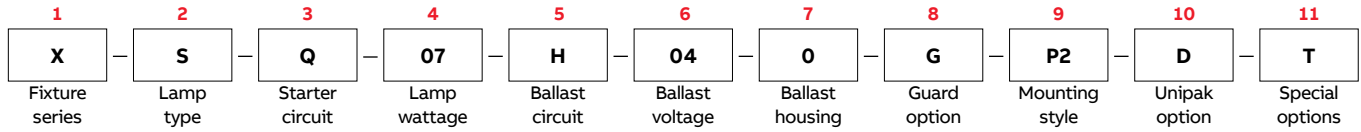
| Part number | Description |
|-------------|--|
| VR31P | Standard dome, fiberglass-reinforced polyester |
| VRA31P | 30° Angle reflector, fiberglass-reinforced polyester |

Reflectors are shipped bulk unless specified.

Hazlux® 5 HID

Numbering system

Unipak™ = Ballast tank + optics and mountings + options (if necessary)



Ballast tank

| Part | Part number | Description |
|--|-------------|--|
| 1 Fixture series | X | Hazlux 5 fixture |
| 2 Lamp type | S | High-pressure sodium |
| 3 Starter circuit/ quartz option | Ø | Standard fixture (without options) |
| | Q | Quartz auxiliary option (not hazardous rated) |
| | R | Fixture with instant restart option (70, 100 and 150 HPS only) |
| 4 Lamp wattage (high pressure sodium lamp) | 05 | 50 W ED23 1/2 |
| | 07 | 70 W ED23 1/2 |
| | 10 | 100 W ED23 1/2 |
| | 15 | 150 W ED23 1/2 |
| | 25 | 250 W ED18 |
| 5 Ballast circuit | 40 | 400 W ED18 |
| | C | Constant wattage autotransformer (CWA) |
| | I | Constant wattage insulated transformer (CWI) |
| | H | High reactance |
| 6 Ballast voltage | P | Reactor |
| | 04 | Multi-tap 120/208/240/277 volt |
| | 09 | 120/277/347V Volt (CSA) |
| | 12 | 120 Volt |
| | 20 | 208 Volt |
| | 24 | 240 Volt |
| | 27 | 277 Volt, 60 Hz |
| | 34 | 347 Volt |
| 48 | 480 Volt | |
| 7 Ballast housing style | Ø | Standard housing |
| | S | Standard housing with stainless steel inserts |

Optics and mountings

| Part | Part number | Description |
|--------------------------|-------------------|---|
| 8 Guard option | G | Cast guard (omit "G" if guard not required) |
| 9 Mounting style | P2 | ¾" Pendant |
| | P3 | 1" Pendant |
| | C2 | ¾" Ceiling |
| | C3 | 1" Ceiling |
| | B2 | ¾" Wall |
| | B3 | 1" Wall |
| | J2 | ¾" Bulkhead |
| | J3 | 1" Bulkhead |
| | S4 | 1¼" 25° Stanchion |
| S5 | 1½" 25° Stanchion | |
| 10 Unipak options | D | Unipak with dual arc lamp |
| | E | Unipak with clear lamp |
| | U | Unipak no lamp |

Options

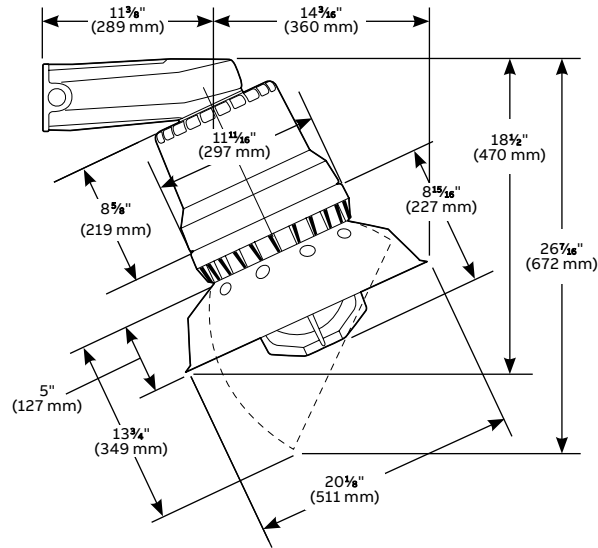
| Part | Part number | Description |
|---------------------------|-------------|--|
| 11 Special options | T | Hazcote® black custom anti-corrosion coating (consult ABB rep) |
| | PS | Paint spray label (100 W max.) |
| | F | Fuse block with fuse |
| | C | Canadian market |



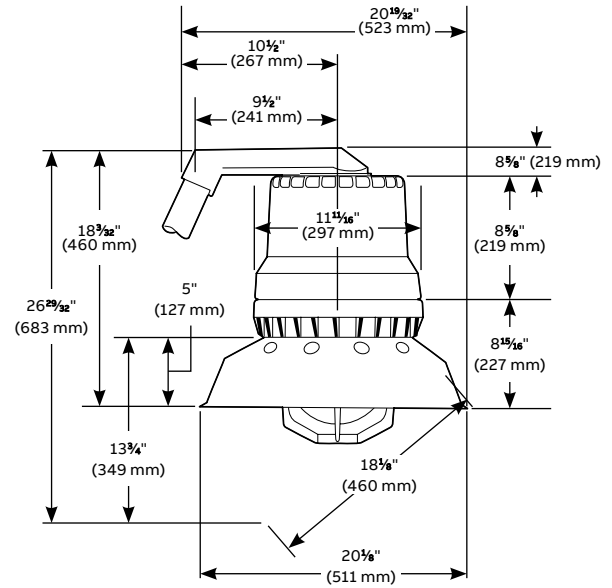
Hazlux® 5 HID

Dimensions

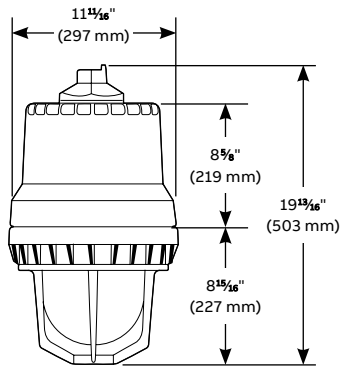
Bulkhead mount with globe, guard and reflector



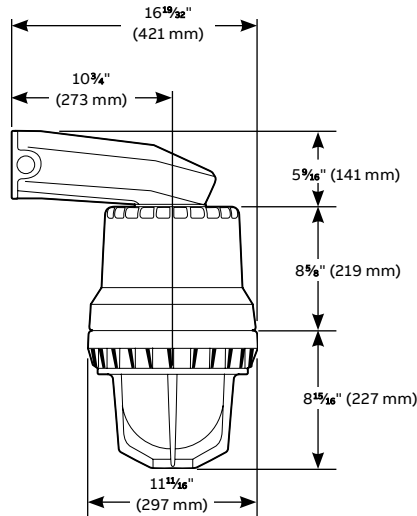
Stanchion mount with globe, guard and reflector



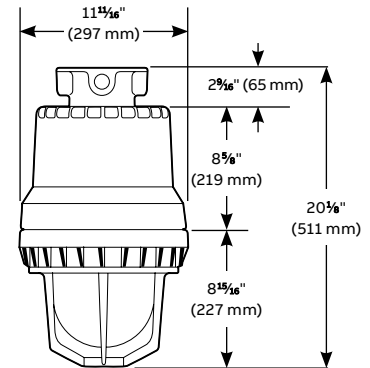
Pendant mount with globe and guard



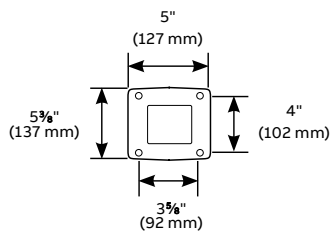
Wall mount with globe and guard



Ceiling mount with globe and guard



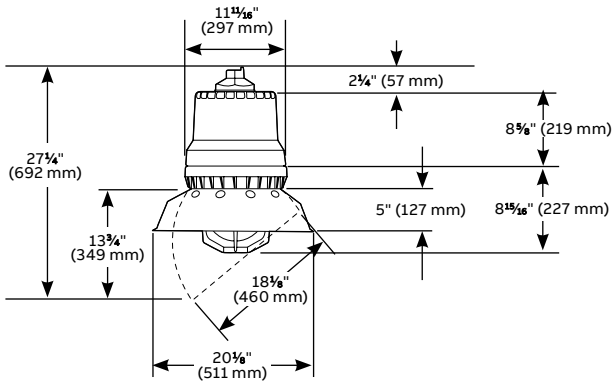
Template for bulkhead for wall mount



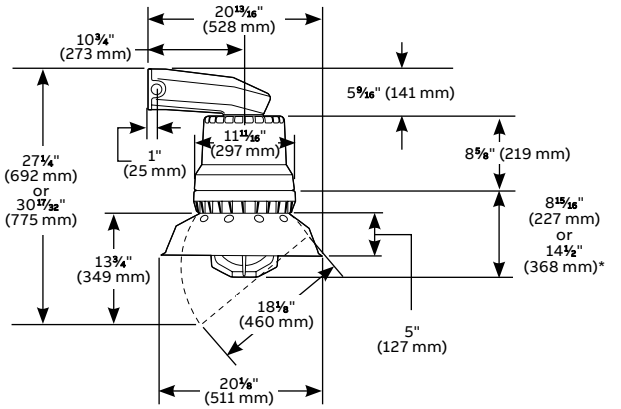
Hazlux® 5 HID

Dimensions

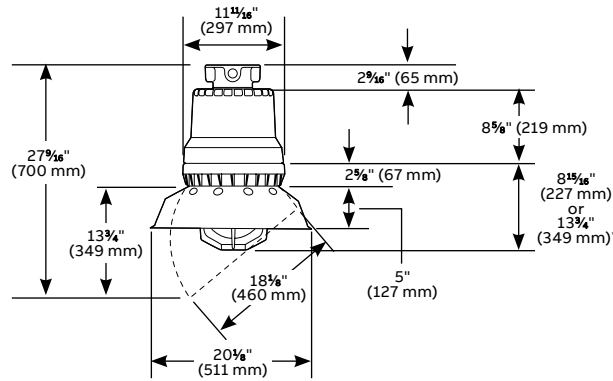
Pendant mount with globe, guard and reflector



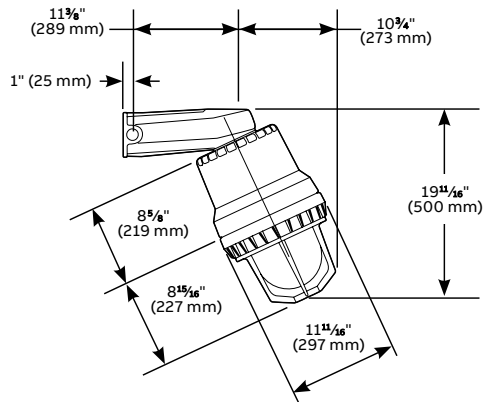
Wall mount with globe, guard and reflector



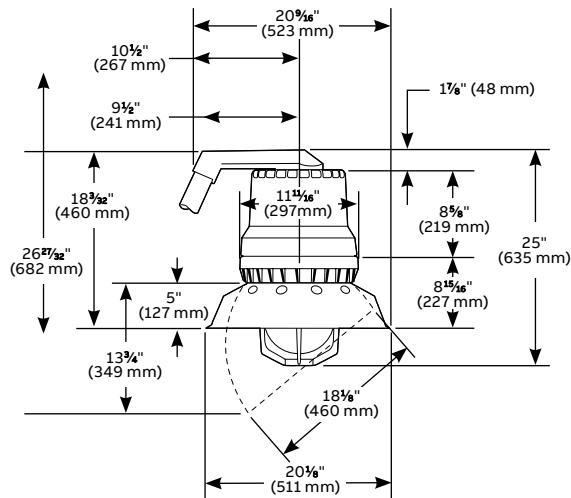
Ceiling mount with globe, guard and reflector



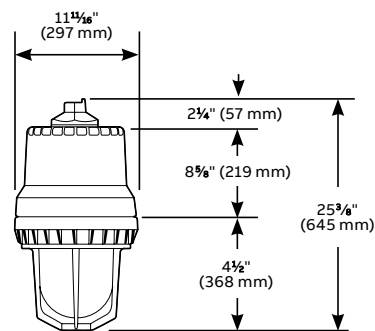
Bulkhead mount with globe and guard



Stanchion mount with globe, guard and reflector



Pendant mount with globe and guard



Hazlux® 5 HID

Thermal performance data

Class I, Division 1, Group C & D – Maximum external fixture temperature in °C at 40°C | ambient in free air

| High pressure sodium / nameplate marked with rating based on hottest fixture congestion | | | | | | | | | |
|---|---|-----------------|------------------------|-----------------|------------------------|------------------|------------------------|-------------------------|------------------------|
| Configuration | | 50 W (S68 lamp) | | 70 W (S62 lamp) | | 100 W (S54 lamp) | | 150 W (S55 or S56 lamp) | |
| | | Lamp | Lamp w/ auxiliary qtz. | Lamp | Lamp w/ auxiliary qtz. | Lamp | Lamp w/ auxiliary qtz. | lamp | Lamp w/ auxiliary qtz. |
| | | | T no. | | T no. | | T no. | | T no. |
| Globe and guard | A | T6 | T4A | T6 | T4A | T5 | T4 | T4 | T4A |
| Globe, guard and dome reflector | B | T6 | T4A | T6 | T4A | T5 | T4 | T4 | T3C |
| Globe, guard and angle reflector | C | T6 | T4A | T6 | T4A | T5 | T3C | T4 | T3C |

Class II & III*, Division 1 & 2 – Maximum external fixture temperature in °C at 40°C | ambient in free air

| High pressure sodium / nameplate marked with rating based on hottest fixture congestion | | | | | | | | | |
|---|---|-----------------|------------------------|-----------------|------------------------|------------------|------------------------|-------------------------|------------------------|
| Configuration | | 50 W (S68 lamp) | | 70 W (S62 lamp) | | 100 W (S54 lamp) | | 150 W (S55 or S56 lamp) | |
| | | Lamp | Lamp w/ auxiliary qtz. | Lamp | Lamp w/ auxiliary qtz. | Lamp | Lamp w/ auxiliary qtz. | Lamp | Lamp w/ auxiliary qtz. |
| | | | Class II groups | | Class II groups | | Class II groups | | Class II groups |
| Globe and guard | A | EFG | EFG | EFG | EFG | EFG | EF | EFG | EF |
| Globe, guard and dome reflector | B | EFG | EFG | EFG | EFG | EFG | EF | EFG | EF |
| Globe, guard and angle reflector | C | EFG | EFG | EFG | EFG | EFG | EF | EFG | EF |

Class I, Division 1, Group C & D – Maximum external fixture temperature in °C at 55°C | ambient in free air

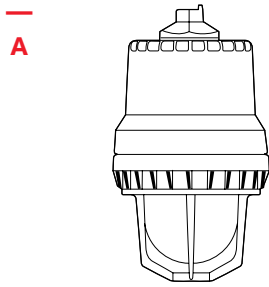
| High pressure sodium / nameplate marked with rating based on hottest fixture congestion | | | | | | | | | |
|---|---|-----------------|------------------------|-----------------|------------------------|------------------|------------------------|-------------------------|------------------------|
| Configuration | | 50 W (S68 lamp) | | 70 W (S62 lamp) | | 100 W (S54 lamp) | | 150 W (S55 or S56 lamp) | |
| | | Lamp | Lamp w/ auxiliary qtz. | Lamp | Lamp w/ auxiliary qtz. | Lamp | Lamp w/ auxiliary qtz. | Lamp | Lamp w/ auxiliary qtz. |
| | | | T no. | | T no. | | T no. | | T no. |
| Globe and guard | A | T6 | T4 | T5 | T4 | T5 | T4A | – | T4A |
| Globe, guard and dome reflector | B | T6 | T4 | T5 | T4 | T5 | T4A | – | T4A |
| Globe, guard and angle reflector | C | T6 | T4 | T5 | T4 | T5 | T4A | – | T4A |

Hazlux® 5 HID

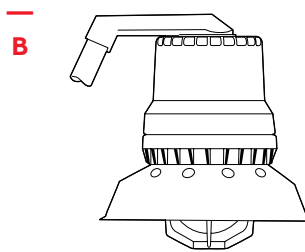
Thermal performance data

Class I, Division 1, Group C & D – Maximum external fixture temperature in °C at 65 °C | ambient in free air

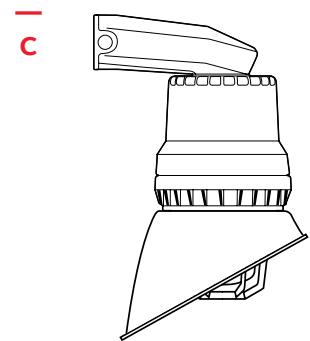
| Configuration | High pressure sodium / nameplate marked with rating based on hottest fixture congestion | | | | | | |
|----------------------------------|---|------------------------------|-----------------|------------------------------|------------------|------------------------------|---|
| | 50 W (S68 lamp) | | 70 W (S62 lamp) | | 100 W (S54 lamp) | | |
| | Lamp | Lamp w/ auxiliary qtz. | Lamp | Lamp w/ auxiliary qtz. | Lamp | Lamp w/ auxiliary qtz. | |
| | T no. | T no. | T no. | T no. | T no. | T no. | |
| Globe and guard | A | T5 | – | T4A | – | T4A | – |
| Globe, guard and dome reflector | B | T5 | – | T4A | – | T4A | – |
| Globe, guard and angle reflector | C | T5 | – | T4A | – | T4A | – |



Globe and guard



Globe, guard and dome reflector



Globe, guard and angle reflector

Hazlite™ 5 (400 series) thermal data

| Lamp type | Ambient temperature (°C) | Groups | Class I | |
|-----------------------|--------------------------|--------|------------|--|
| | | | Temp. code | Supply wire suitable temperature (°C) |
| 250 Watt HPS type S50 | 40 | C, D | T4A | 85 |
| 400 Watt HPS type S51 | 40 | C, D | T4A | 85 |

