

TECHNICAL DATA SHEET

PMAFIX IP68 - NSBV-P - Fitting

90° curved elbow, swivel PG thread

PMA



IP68, swivel metal thread fitting for flexible non-metallic conduit



Applications:

- For applications with high technical requirements

Features & Benefits:

- Very high impact resistance
- High thread and system connection strength
- Vibration-proof connection to PMA conduits
- Suitable for occasional rotation
- Easy installation
- High conduit pull-out strength
- Very good chemical properties
- Fits both conduit profiles - fine (T) and coarse (G)

Ingress protection:

- IP66, IP68 & IP69 (EN/IEC 60529)
- IP69, 100 bar with Water impact protection (WPS-ring)

Materials:

- Fitting body: high-grade, specially formulated polyamide 6
- Thread: nickel-plated brass

Compatible with:

- PMAFLEX Pro Conduits
- PMAFLEX Multilayer Conduits
- PMAFLEX Conduits
- PMA Smart Line Conduits

Conforms to:

- EN 45545-2 HL3 (R22 & R23)
- NFPA 130
- UL 94 (V0)
- UL 1696 (UL file E80294)

Weathering resistance:

- Very good UV resistance and weathering characteristics

Colour:

- Black

Chemical properties:

- Please refer to www.pma.ch (Technical Information / Chemical Resistance)

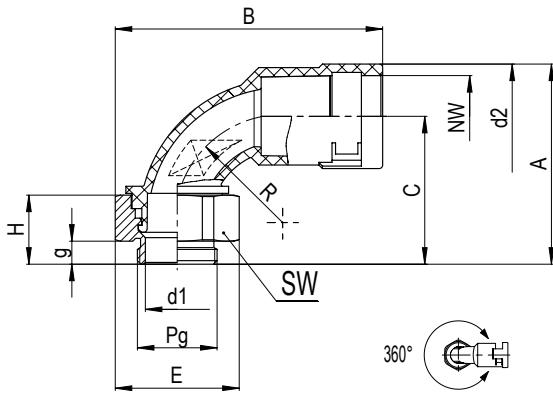
Environmental properties:

- Free from halogens and cadmium
- RoHS and REACH compliant

Product selection:

| Part no. | Thread size | Conduit size | Dimensions in mm (nom.) | | | | | | | | | | Weight | Packing unit |
|---------------|-------------|--------------|-------------------------|------|------|------|------|------|-------|-------|------|------|------------|--------------|
| | | | g | H | d1 | d2 | E | SW | A | B | C | R | | |
| black | PG | NW | g | H | d1 | d2 | E | SW | A | B | C | R | kg/100 pcs | pcs/PU |
| NSBV-P167-6.5 | 16 | 17 | 6.5 | 21.5 | 14.5 | 29.5 | 33.0 | 30.0 | 58.0 | 74.5 | 43.5 | 30.5 | 6.9 | 1 |
| NSBV-P213-7 | 21 | 23 | 7.0 | 23.5 | 19.5 | 37.0 | 40.0 | 36.0 | 69.0 | 87.5 | 50.5 | 38.0 | 10.3 | 1 |
| NSBV-P299-8 | 29 | 29 | 8.0 | 24.5 | 28.5 | 44.0 | 50.0 | 46.0 | 80.0 | 98.0 | 58.0 | 45.0 | 16.1 | 1 |
| NSBV-P366-9 | 36 | 36 | 9.0 | 25.5 | 36.0 | 53.5 | 64.0 | 60.0 | 91.5 | 127.5 | 65.0 | 53.0 | 27.2 | 1 |
| NSBV-P488-10 | 48 | 48 | 10.0 | 26.5 | 48.0 | 66.0 | 77.0 | 70.0 | 106.0 | 139.0 | 73.0 | 60.0 | 37.0 | 1 |

Our customer service dept. or local distribution partner will be pleased to help you concerning product availability and lead time



| Mechanical Properties: | Value: | Test parameters: | Test method: |
|-------------------------------|-----------------------------------|-------------------------|---------------------------------|
| Tensile modulus | 1'200 ... 3'700 N/mm ² | | ISO 527 |
| Tensile strength | 45 ... 65 N/mm ² | | ISO 527 |
| Notched bar impact test | 4 ... 20 kJ/m ² | | ISO 180/1C |
| <hr/> | | | |
| Vibration and shock standard | Cat. 2 | | IEC 61373, IEC 60068-2-27 / -64 |

| Thermal properties: | Value: | Test parameters: | Test method: |
|------------------------------------|----------------|-------------------------|---------------------|
| Continuous application temperature | -50 ... +105°C | | PMA DO 9.21-4510 |
| Upper application temperature | +120°C | (20'000 h) | PMA DO 9.21-4360 |
| Short-term | +160°C | (168 h) | PMA DO 9.21-4360 |

| Fire safety properties: | Value: | Test parameters: | Test method: |
|--------------------------------|---------------------------|-------------------------|---------------------------------------|
| Fire performance | non flame-propagating | | IEC EN 61386-1 |
| Flame class | V0 | | UL 94 |
| <hr/> | | | |
| Fire hazard level | HL3 | | EN 45545-2 (R22) |
| Oxygen index | > 32 % | | EN ISO 4589-2 |
| Smoke density | < 150 Ds max. | | EN ISO 5659-2 (25 kW/m ²) |
| Toxicity | < 0.75 CIT _{NLP} | | NF X 70-100-1/-2: (600°C) |
| <hr/> | | | |
| Fire hazard level | HL3 | | EN 45545-2 (R23) |
| Oxygen index | > 32 % | | EN ISO 4589-2 |
| Smoke density | < 300 Ds max. | | EN ISO 5659-2 (25 kW/m ²) |
| Toxicity | < 1.5 CIT _{NLP} | | NF X 70-100-1/-2: (600°C) |
| <hr/> | | | |
| Fire performance NFPA 130: | | | NFPA 130 |
| - Flammability | compliant | | ASTM E 162 |
| - Smoke density | compliant | | ASTM E 662 |
| <hr/> | | | |
| Heat and visible smoke | 26.00 MJ/kg | | ASTM E 1354 |
| Smoke emission toxicity | compliant | | Bombardier SMP 800-C |
| Smoke emission toxicity | compliant | | Boeing BSS 7239 |

Content of delivery:

- Swivel fitting with conduit locking clip (OVN2)
- Conduit gasket (NVN3)
- Thread gasket (SVN4)
- O-ring

Assembly instructions:

- Please consider the appropriate assembly instructions on www.pma.ch
- O-ring or thread gasket, select the best solution for your application
- For increased tilting moments we recommend to use our swivel adapter (SWA) for heavy applications

ABB Switzerland Ltd,
PMA Cable Protection
Aathalstrasse 90
8610 Uster, Switzerland
Phone: +41 58 585 00 11
pma-info@ch.abb.com
www.pma.ch

Let's write the future.
Together. **abb.com**

We reserve the right to make technical changes or modify the contents of this document without prior notice. With regard to purchase orders, the agreed particulars shall prevail. ABB Installation Products Inc. does not accept any responsibility whatsoever for potential errors or possible lack of information in this document.

We reserve all rights in this document and in the subject matter and illustrations contained therein. Any reproduction, disclosure to third parties or utilization of its contents – in whole or in parts – is forbidden without prior written consent of ABB Inc. Copyright© 2019 ABB Installation Products Inc. All rights reserved

