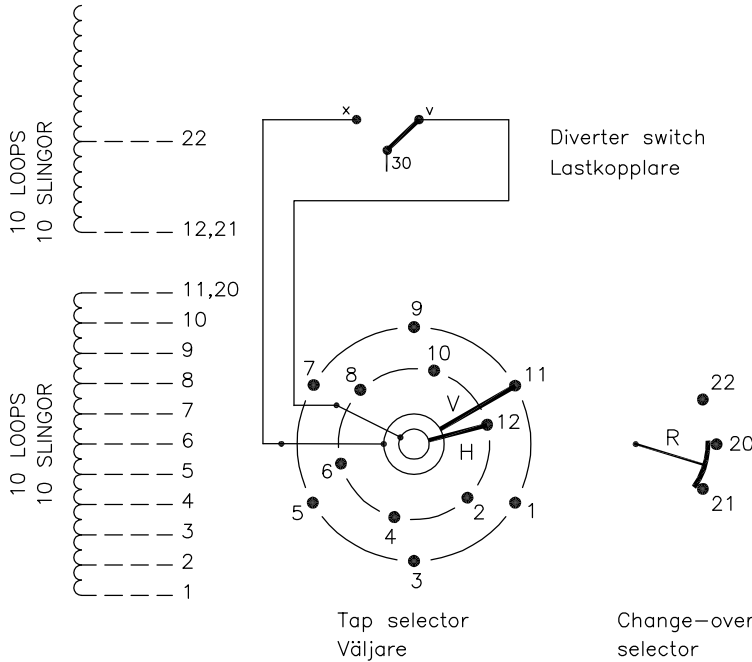


We reserve all rights in this document and in the information contained therein. Reproduction, use or disclosure to third parties without express authority is strictly forbidden.
© ABB 19

On-load tap-changer type UCGD./III, VUCGD./III, UCLD./III, VUCLD./III, UCDD./III,
21 tap positions, coarse/fine switching.
Max. effective No. of turns in pos. 1.
The tap-changer is delivered set in pos. 11,
the preceding pos. was 11A.

Lindningskopplare typ UCGD./III, VUCGD./III, UCLD./III, VUCLD./III, UCDD./III,
21 lägen, grov/fin koppling.
Max antal effektiva varv i läge 1.
Lindningskopplaren levereras inställd i läge 11,
föregående läge var 11A.



Pos. Läge	R connects in direction R förbinder i riktning	Tap selector and diverter switch connect Väljaren och lastkopplaren förbinder	
1	↓	1-V-x	
2		2-H-v	
3		3-V-x	
4		4-H-v	
5		5-V-x	
6		20-21	6-H-v
7		20-21	7-V-x
8		20-21	8-H-v
9		20-21	9-V-x
10		20-21	10-H-v
11A		20-21	11-V-x
11	↑	12-H-v	
11B		1-V-x	
12		2-H-v	
13		3-V-x	
14		4-H-v	
15		5-V-x	
16		20-22	6-H-v
17		20-22	7-V-x
18		20-22	8-H-v
19		20-22	9-V-x
20		20-22	10-H-v
21	20-22	11-V-x	

A position with letter is a through position and gives the same voltage as the normal position.

Läge med bokstav är genomloppsläge och ger samma spänning som normalläget.

The tap-changer is shown in pos. 11,
the preceding pos. was 11A.
The tap selector and the change-over selector
are seen from above.
Contact arm V is located above contact arm H.

Lindningskopplaren visad i läge 11,
föregående läge var 11A.
Väljaren och grov/fin-omkopplaren sedda uppifrån.
Kontaktarm V ligger över kontaktarm H.

Continuous lines show leads included in the
tap-changer. Dashed lines show leads belonging
to the cleats and leads.

Heldragna linjer visar ledare som ingår i
lindningskopplaren. Streckade linjer visar
ledare som tillhör anslutningsdonet.

2	VUCL Added	CA	12	37
1	VUCG Added	CE	07	47
Rev Ind	Revision	Appd	Year	Week

Accepted by qual control R.Yngvesson	Accepted for prod by	Description (English) CONNECTION DIAGRAM	DATAORIGINAL
Design checked by B-O.Stenestam	Drawn by L.Bergman	Description (own language) KOPPLINGSSCHEMA	File name 0369-7
Drawing checked by M.Hedlund	Issued by Dept Year Week COM/TKO 97 16	5492 0369-7	Lang 1
ABB Asea Brown Boveri			Revind -

Sheet	Cont
Year	Week
Dept	
Revind	
Design checked by	
Form No.	