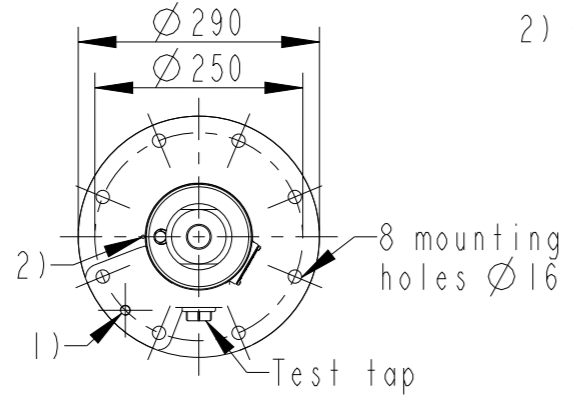
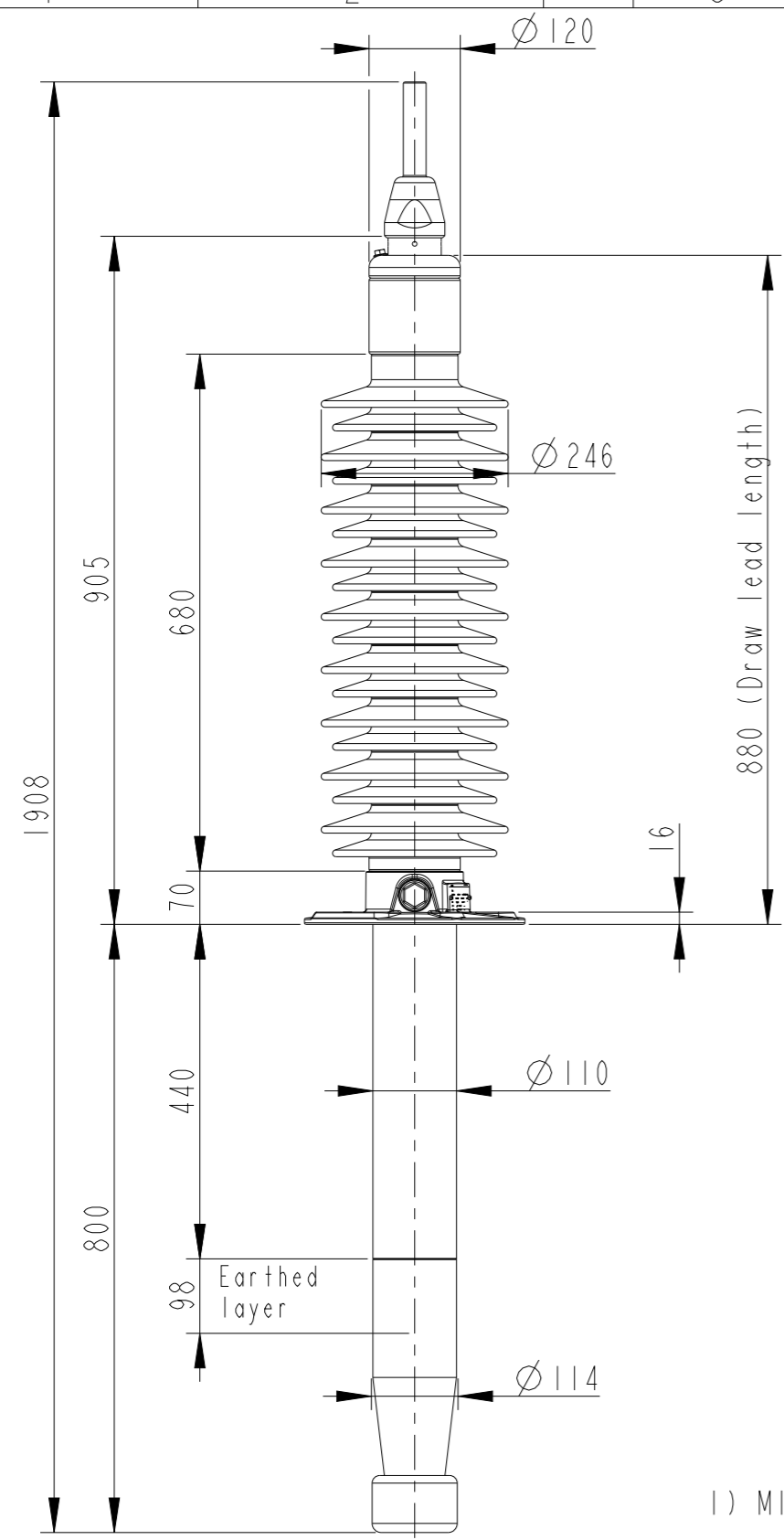


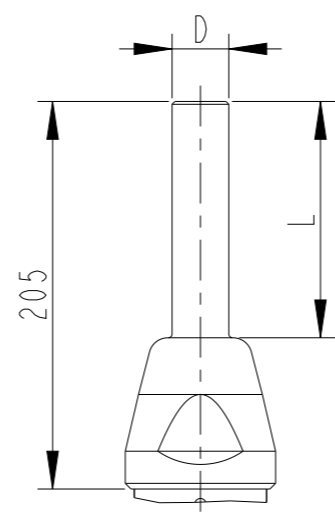
This document is issued by means of a computerized system. The digitally stored original is electronically approved. The approved document has a date entered in the "Approved"-field. A manual signature is not required.

We reserve all rights in this document and in the information contained therein. Reproduction, use or disclosure to third parties without express authority is strictly forbidden.

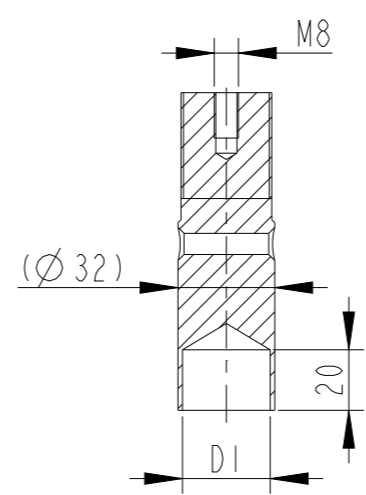
Revision	Revision text
E	Phase to Ground Voltage changed from 72.5 to 58kV



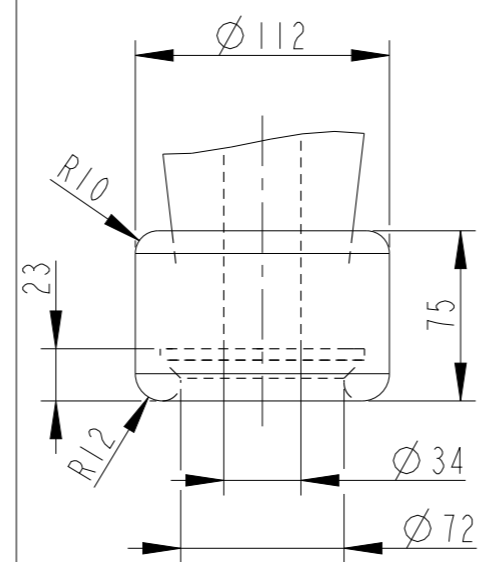
OUTER TERMINAL



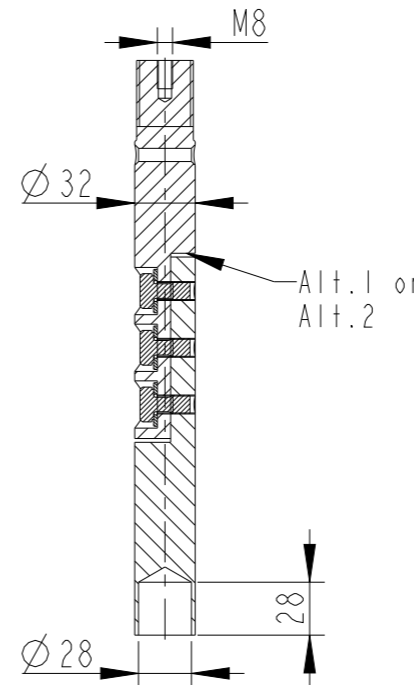
INNER TERMINAL FOR STRANDED CABLE



END SHIELD



SOLID ROD CONNECTOR



The solid rod can be divided either:
 Alt.1: 20mm below the bushing flange or
 Alt.2: 20mm below the upper end of the bottom porcelain

- 1) M12 (For Earthing)
- 2) Ø4 Oil connection hole (only valid for horizontal mounting)

Bushing Data:

Rated Voltage	100	kV
Phase to Ground Voltage	$\triangle E$ 58	kV
Dry Lightning Impulse 1,2/50µs	380	kV
Wet power frequency AC	150	kV
Routine test 1min dry 50Hz	165	kV
Rated Current	1250	A
Creepage Distance	2500±70	mm
Creepage Distance Protected	980	mm
Mass	56	kg

Ordering Data:

BUSHING	COLOUR	AIR INSULATOR	
LF123097-K	BROWN		
LF123097-L	LIGHT GREY		
LF123097-HK	BROWN	Horizontal 45°-90°	
LF123097-HL	LIGHT GREY	Horizontal 45°-90°	
OUTER TERMINAL	Material	D	L
LF 170 002-B	Cu Alloy	Ø 30	125
LF 170 001-B	Al	Ø 30	125
OTHER TYPES ON REQUEST			
INNER TERMINAL FOR STRANDED CABLE	For brazing	Conductor area	D1
LF 170 011-T	up to 285mm ²		Ø 29
LF 170 011-V	Undrilled with pilot hole		Ø 5
SOLID ROD CONNECTOR	Material		
LF 170 052 -AA for Alt.1	Cu		
LF 170 052 -Y for Alt.2	Cu		

ABB		Ludvika, Sweden	
No.	Um	kV Ir	A 50/60 Hz
BL	M	kV SL	kV AC
	C1	kg L	mm ✓
	C2	pF Tan δ	x
		pF Tan δ	x

Created by Jacob Stefansson	Reviewed by Joakim Persson	Approved by Natalia Gutman
Approved 2019-11-06	Document Kind Outline Drawing	Based on doc.id Work order id Project id
Company ABB Technology Ltd	Title, Supplementary title GOB 380-1250-0.5 WITHOUT OIL LEVEL GAUGE STD END SHIELD	
Responsible Department SEABB-9AAE300824	Document id 2751369-137	Status Released
ABB	Revision E	Iteration 1/1
	Sheet 1/1	