


WNL SERIES HAZARDOUS LOCATION LIGHTING FIXTURE

Class I, Division 2, Groups ABCD; Class II, Division 2, Groups FG; Class III; Class I, Zone 2, Group IIC

 **IMPORTANT:** DO NOT ATTEMPT INSTALLATION UNTIL YOU ARE FAMILIAR WITH ALL WARNINGS, PRECAUTIONS, AND PROCEDURES OUTLINED WITHIN THIS INSTRUCTION SHEET.

 **—WARNING—** 
TURN OFF POWER

ELECTRICAL POWER MUST BE TURNED OFF BEFORE AND DURING INSTALLATION AND MAINTENANCE.


INSTALLATION PRECAUTIONS:

All national and electrical/building codes must be followed in the installation of the luminaire. For code interpretation, consult local code authority.



— RISKS OF FIRE OR EXPLOSION —

1. DO NOT INSTALL LUMINAIRE IN ANY CLASSIFIED LOCATION WHERE THE MARKED OPERATING TEMPERATURE EXCEEDS THE IGNITION TEMPERATURE OF THE HAZARDOUS ATMOSPHERES. CONSULT LUMINAIRE NAMEPLATE FOR SUITABILITY IN SPECIFIC HAZARDOUS LOCATIONS.
2. DO NOT INSTALL LUMINAIRE IN A LOCATION WHERE THE AMBIENT TEMPERATURE EXCEEDS THE MAXIMUM AMBIENT TEMPERATURE SHOWN ON THE LUMINAIRE NAMEPLATE.
3. REFER TO LUMINAIRE NAMEPLATE FOR MINIMUM SUPPLY WIRE TEMPERATURE RATING.
4. VERIFY THAT THE SUPPLY VOLTAGE AGREES WITH LUMINAIRE RATING AS INDICATED ON NAMEPLATE.
5. VERIFY THAT GROUND CONTINUITY HAS BEEN ESTABLISHED BY USING AN OHMMETER OR OTHER SUITABLE TESTING EQUIPMENT BEFORE ENERGIZING THE LUMINAIRE.

 **WARNING:** LUMINAIRE MUST BE GROUNDED AS REQUIRED PER PARAGRAPH 410.44 AND ARTICLE 250 OF THE NATIONAL ELECTRIC CODE AND/OR SECTION 10 AND RULE 30-500 OF CANADIAN ELECTRIC CODE. FAILURE TO PROPERLY GROUND THIS LUMINAIRE WILL CREATE AN ELECTRICAL SHOCK HAZARD WHICH CAN CAUSE SERIOUS INJURY OR DEATH.

LUMINAIRE MAY BE ENERGIZED IN A HAZARDOUS LOCATION ONLY AFTER THE LUMINAIRE HAS BEEN SECURED TO THE MOUNT AND THE LENS HAS BEEN ASSEMBLED AND TIGHTENED TO THE HOUSING AS OUTLINED IN THIS INSTRUCTION SHEET.

Warranty:

Hazlux sells this product with the understanding that the user will perform all necessary tests to determine the suitability of this product for the user's intended application. Subject to the limitations set forth below, Hazlux warrants that the Hazlux LED luminaire will be free from defects in material and workmanship for a period of **five (5) years** beginning on the date of installation or 90 days from the date of shipment, whichever date is earlier.

Warranty Limitations and Exclusions:

The above warranty shall only apply when the product is installed in applications in which ambient temperatures are within the range of specified operating temperatures and is operated within the electrical values shown on the LED driver label. This warranty is also void if the product has been subjected to misuse, neglect, accident, fire, physical damage, improper installation, unauthorized modification, or use in violation of our instructions or any applicable laws, codes or ordinances. Upon prompt notification of a warranted defect, Hazlux will, at its option, repair or replace any products found to be defective under normal installation, use and service. Hazlux reserves the right to replace any warranted product with a substitute product of similar function if the warranted product is no longer available.

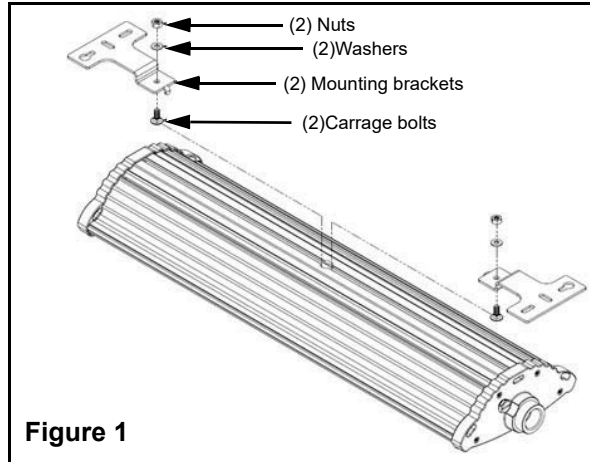
THE ABOVE WARRANTY IS THE SOLE WARRANTY CONCERNING THIS PRODUCT, AND IS IN LIEU OF ALL OTHER WARRANTIES EXPRESS OR IMPLIED, INCLUDING BUT NOT LIMITED TO ANY IMPLIED WARRANTY OF MERCHANTABILITY OR FITNESS FOR A PARTICULAR PURPOSE, WHICH ARE SPECIFICALLY DISCLAIMED. LIABILITY FOR BREACH OF THE ABOVE WARRANTY IS LIMITED TO COST OF REPAIR OR REPLACEMENT OF THE PRODUCT, AND UNDER NO CIRCUMSTANCES WILL HAZLUX BE LIABLE FOR ANY INDIRECT, SPECIAL, INCIDENTAL OR CONSEQUENTIAL DAMAGES.

METRIC TOOLING REQUIRED FOR INSTALLATION OF THIS LUMINAIRE AND ALL MOUNTING CONFIGURATIONS

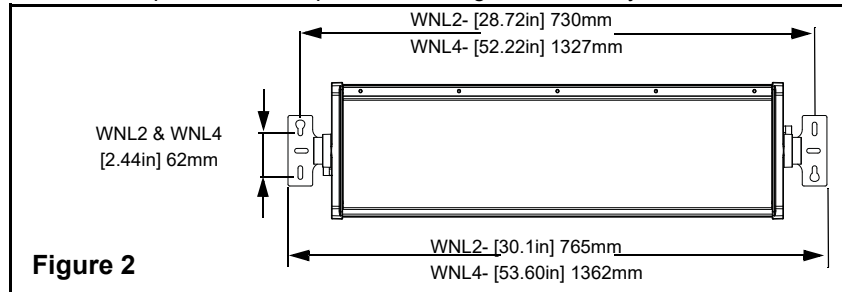
For other mounting types (Adjustable Angle Mount), refer to instruction sheets provided in the carton containing the mount.

SURFACE/CEILING MOUNT INSTALLATION

1. Loosen the pre-installed mounting brackets on the back of the luminaire (Figure 1).
2. Slide brackets outwards until mounting holes are 28.72in(730mm) apart for NL2 models, or 52.22in(1327mm) apart for NL4 models (Figure 1).
3. Tighten provided 1/4-20 nut to a torque of 8 N-m (70 in-lbs)(Figure 1).



4. Fasten to flat surface using a minimum of one M6 or 1/4-20 fastener and washer per side (not provided). For installations subject to vibration, a minimum of two fasteners per side are required. Mounting bracket is keyed for ease of installation (Figure 2).

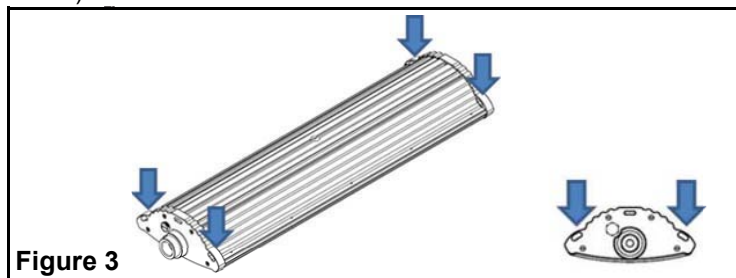


FLUSH MOUNT INSTALLATION:

1. Remove the pre-installed mounting brackets on the back of the luminaire (Figure 1).
2. Remove and replace the carriage bolts with a minimum of two(2) 1/4-20 carriage bolts of appropriate length for the installation area.
3. Drill holes at an appropriate distance apart into surface where the luminaire will be installed.
4. Install luminaire/carriage bolt assembly into the holes.
5. Tighten the washers and nuts to the carriage bolts.

SUSPENSION MOUNTING:

1. Remove the pre-installed mounting brackets and carriage bolts on the back of the luminaire (Figure 1).
2. Connect two anchors to each end-cap using the integral mounting holes as shown (Figure 3).
3. Suspension hardware (not provided) must be rated for a minimum of 135 lbs.



INSTALLATION INSTRUCTIONS

1. Using a 3mm hex tool open the lens.

Note:

Screws are captive fasteners and will remain attached to the lens for ease of reinstallation and to prevent loss of fasteners.

2. Loosen four M4 fasteners holding reflector and pinch the reflector to line up key hole slots with fasteners and remove reflector (Figure 4).

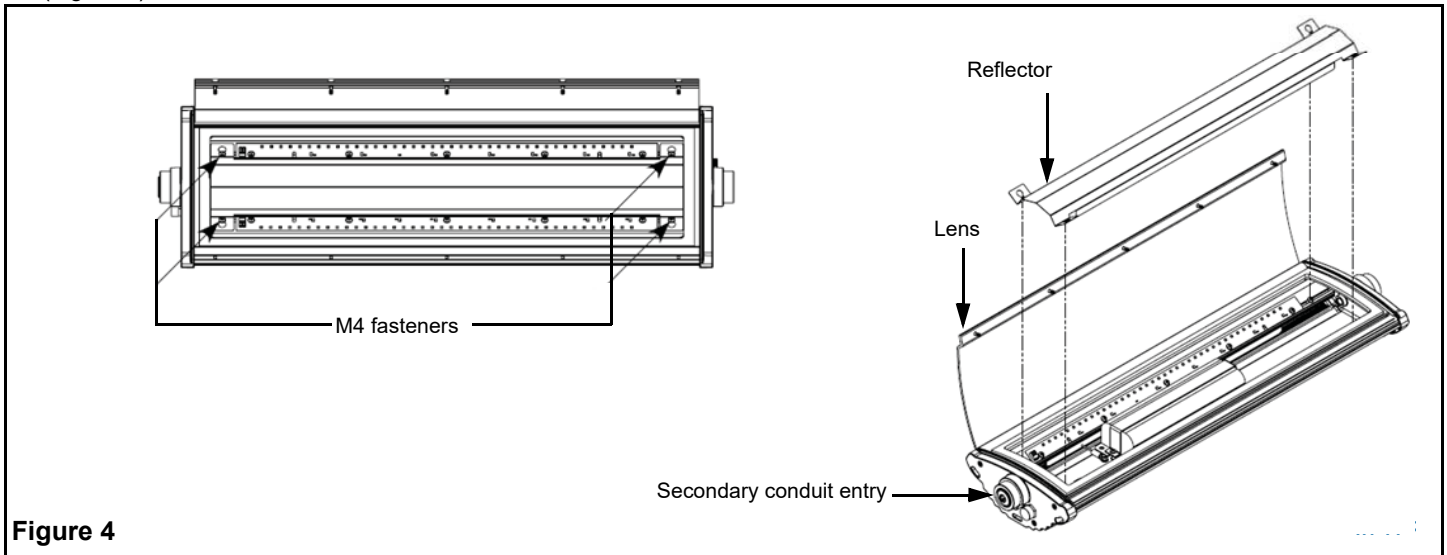


Figure 4

Make wiring connections:

Install suitable wiring system to the conduit opening per National Electrical Code (NEC) / National Electrical Code (CEC) requirements for the specific location of install.

For Single Entry Use:

Wire using open NPT entry. Refer to NEC/CEC codes and follow all applicable local standards. See wiring diagram Figure 4.

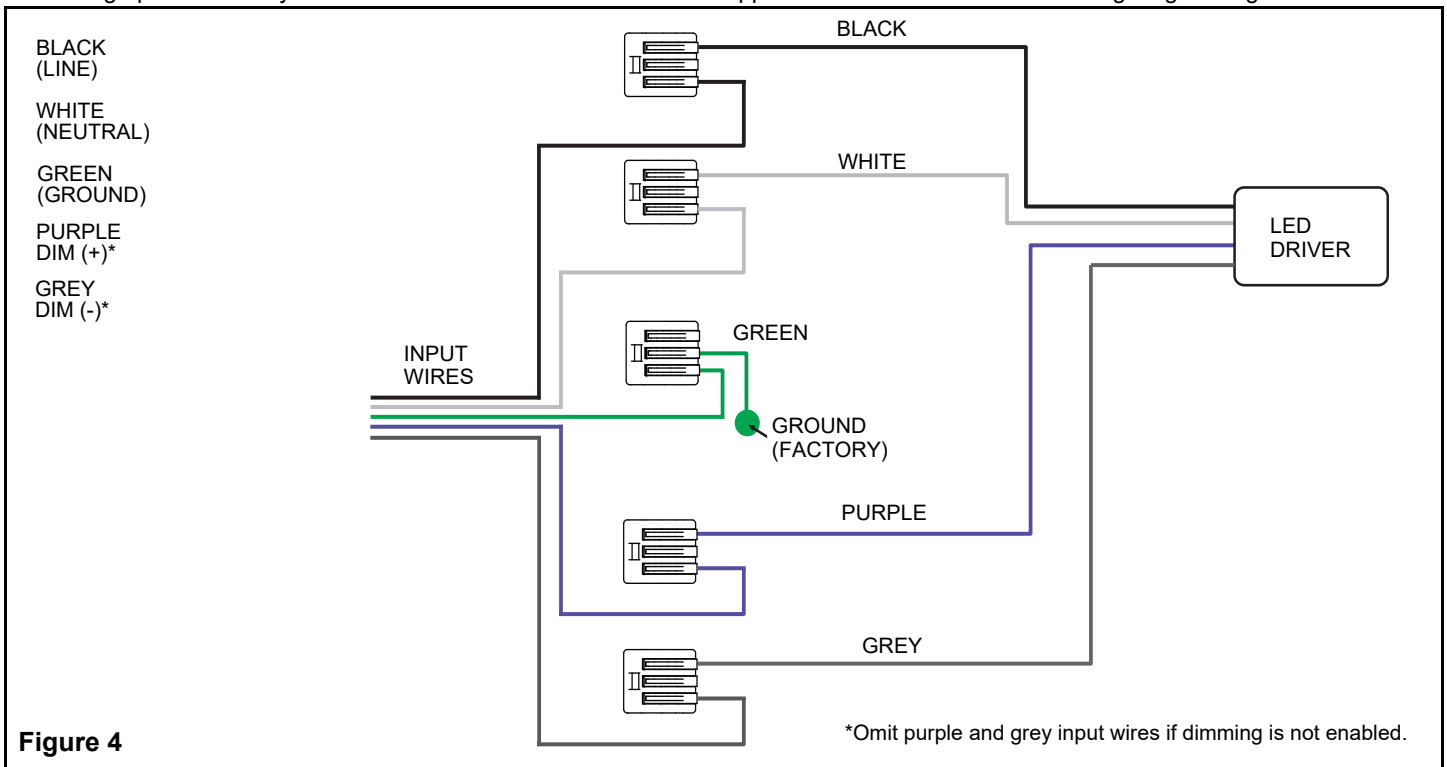


Figure 4

For End-to-End Wiring:

All wiring methods must be in accordance with NEC/CEC codes, all local standards, and acceptable for the hazardous location of install. Remove NPT blank from closed end using a 3/8" hex tool (Figure 4). Conductors from the far side must be run through the channel between the AC Separator and case, as shown Figure 5.

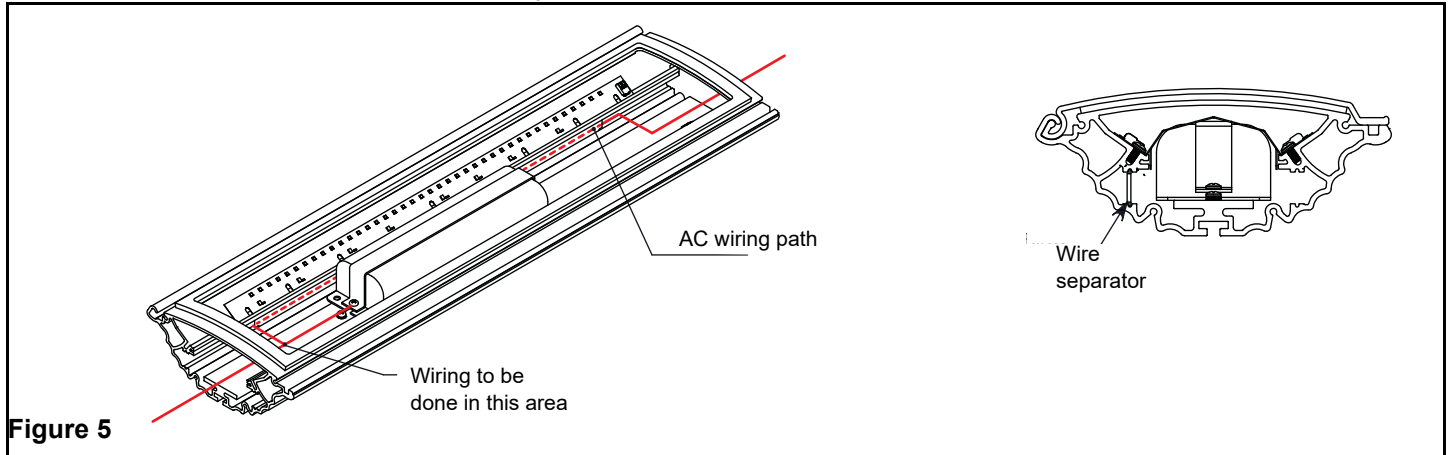


Figure 5

Make wiring connections to provided splice connectors as shown in the wiring diagram Figure 6.

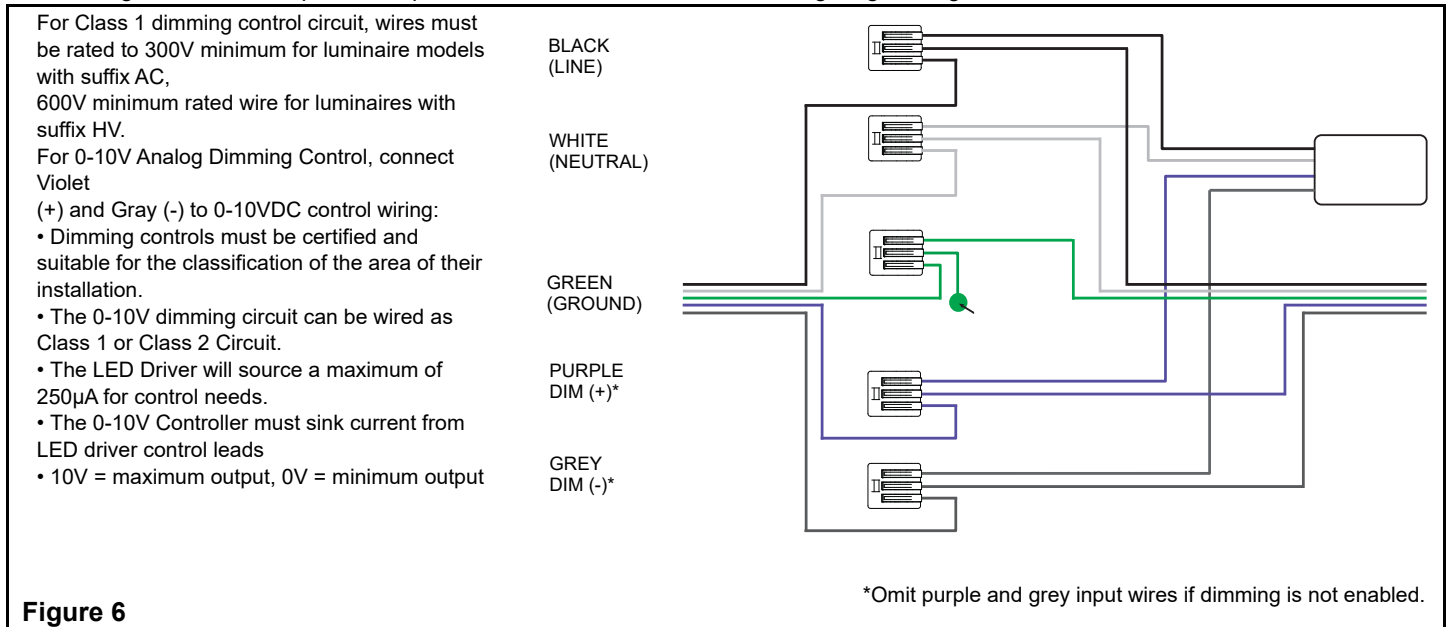


Figure 6

Note: End-to-end or daisy-chain wiring must use #12AWG conductors and the total circuit load must not exceed 1200W.

To aid in assembly and protection against ingress use of a petrolatum or soap thickened mineral oil based thread lubricant/sealant is necessary.

Un-used conduit opening must be plugged to maintain the integrity of the enclosure.

Reinstall reflectors and close lens:

Reflector fasteners should be tightened by hand to 5 in-lbs torque to prevent stripping of screw channel threads. Close lens and reinstall M4 socket head cap screws using a 3mm hex driver. To align the lens fasteners with tapped holes, press on the lens to compress the gasket and direct fastener into tapped hole using 3mm hex driver. Torque lens fasteners to 1.7Nm (15 in-lbs).