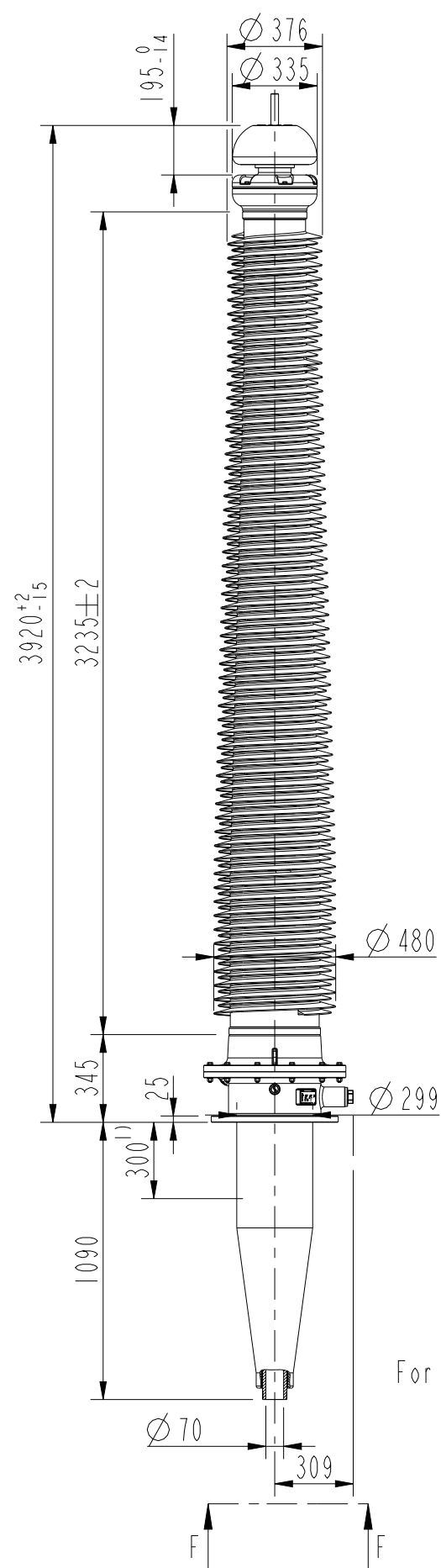


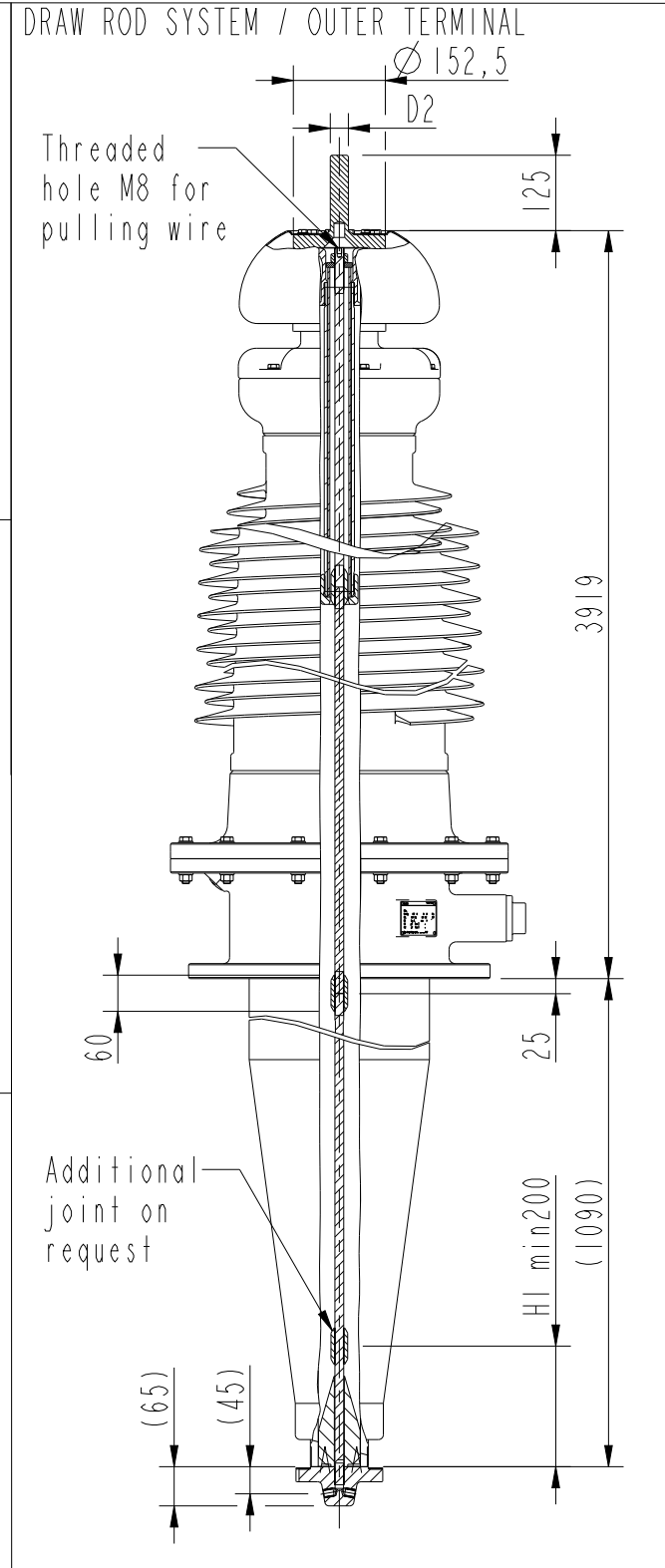
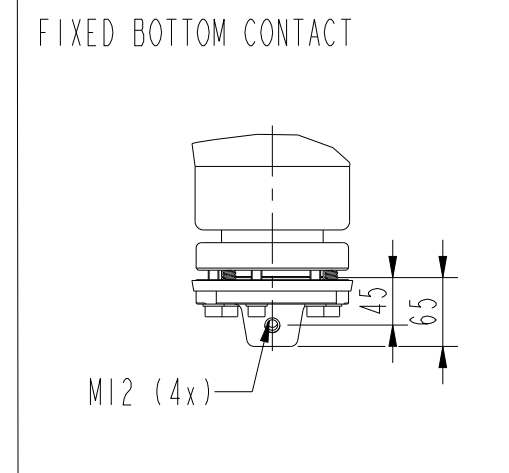
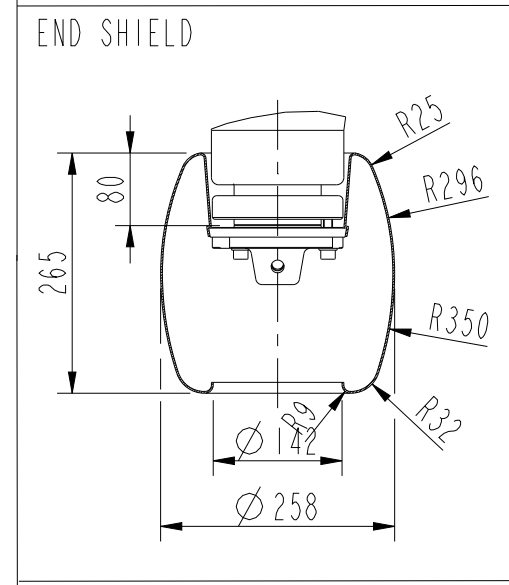
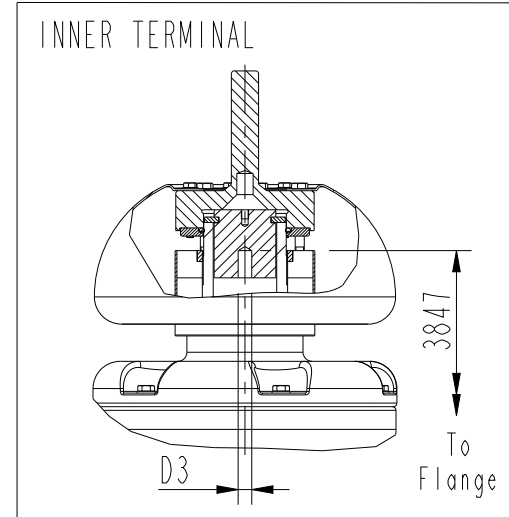
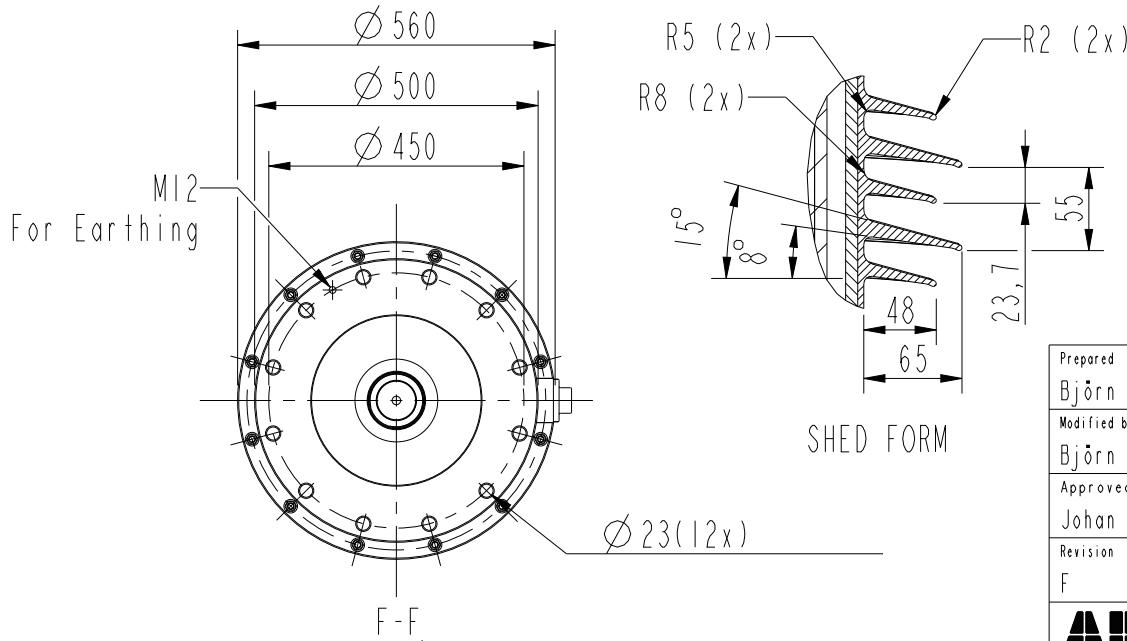
This document is issued by means of a computerized system. The digitally stored original is electronically approved. The approved document has a date entered in the 'Approved'-field. A manual signature is not required.

The information contained in this document has to be kept strictly confidential. Any unauthorized use, reproduction, distribution or disclosure to third parties are strictly forbidden. ABB reserves all rights regarding Intellectual Property Rights. © Copyright 2013 ABB. All rights reserved.



| Bushings Data: | | |
|--------------------------------|-------|----|
| Rated Voltage | 420 | kV |
| Phase-to-earth Voltage | 243 | kV |
| Dry Lightning Impulse 1,2/50µs | 1550 | kV |
| Wet Switching Impulse | 1050 | kV |
| Wet Power Frequency AC | 650 | kV |
| Routine test Imin dry 50Hz | 693 | kV |
| Rated Current | 1600 | A |
| Creepage Distance, nominal | 14322 | mm |
| Creepage Distance, minimum | 13741 | mm |
| Mass, Bushing | 485 | kg |

| Ordering Data: | | |
|-----------------------------|-----------------|----------------------------------|
| BUSHING | | AIR INSULATOR COLOUR/TYPE |
| IZSC901420 -CAA | Test tap | Composite |
| IZSC901420 -CBA | Voltage tap 6kV | Composite |
| OUTER TERMINAL | | MATERIAL D2 (mm) |
| IZSC999001-AAA | | Al 30 |
| IZSC999001-AAB | | Al 60 |
| IZSC999001-AAC | | Cu 30 |
| IZSC999001-AAD | | Cu 40 |
| DRAW ROD SYSTEM | | |
| IZSC999006 | Lower draw rod | |
| IZSC999007 | Upper draw rod | |
| INNER TERMINAL | | D3 (mm) |
| IZSC999005-AAA | | 15 |
| IZSC999005-AAB | | 30 |
| IZSC999005-AAC | | 40 |
| IZSC999005-AAD | | 42 |
| FIXED BOTTOM CONTACT | | |
| IZSC999002-AAE | | |
| END SHIELD | | Epoxy insulated |
| IZSC999003-AEA | | |



| | | | |
|---|-----------------------------------|---------------------------|----------------|
| Prepared Björn Edberg 2015-06-11 | Responsible department PPCO/BK | Title GSB 420/1600/0.3 | Language 82 |
| Modified by Björn Edberg 2014-10-20 | Take over department | | |
| Approved by Johan X Eriksson 2015-06-15 | Used in product | Order | Sheet no. 1 |
| Revision F Mass | | | |
| Document no. 2751377-13 | | No. Shits. (1) | |

1) Maximum length of CT

