

Type VIY-60 Indoor voltage transformer

Product features

- 5 kV indoor
- 60 kV BIL, 60 Hertz
- Primary volts: 2400 - 4800
- UL Recognized Component, File No. E148620

Application

The VIY-60 indoor voltage transformer is designed for service in metalclad switchgear and is used for relaying, metering, and control power applications.

Construction features

The primary and secondary coils are wound using special winding and shielding techniques for improved voltage stress distribution. The coils are designed to withstand continuous operation at 1.1 times the line-to-line voltage level and the line-to-ground voltage level for Y burden units. For some line-to-ground voltage units, a short-time withstand voltage of 1.9 is available upon request.

Each coil is insulated with mylar film to provide a high dielectric strength between layers. The coils and core are combined to create a complete winding structure that is assembled to a support frame. The entire assembly is vacuum cast in polyurethane for added insulation and protection.

Fuse classifications

This unit is provided with three fuse classifications: mounted fuse with hardware, unfused with hardware, or unfused without hardware. Optional fuse kits are offered to convert some unfused styles to fused styles. Consult your ABB sales representative concerning overvoltage conditions for designs above the standard rated voltage factor of 1.1.

Terminals

Compression-type primary terminals accommodate #8 through #2 wire. Secondary brass terminal inserts are 3/8" deep with a .190-32 tapped hole. Secondary terminals are .190-32 compression screws. A compression type terminal that accommodates #14 through #4 wire is provided on fused units on the line end of each fuse.

Baseplate

The baseplate is constructed of corrosion-resistant aluminum and is secured to the encapsulated base support.



Mounting

The VIY-60 can be mounted in upright, cantilever, or upside-down positions.

Curves

Type curves are available upon request.

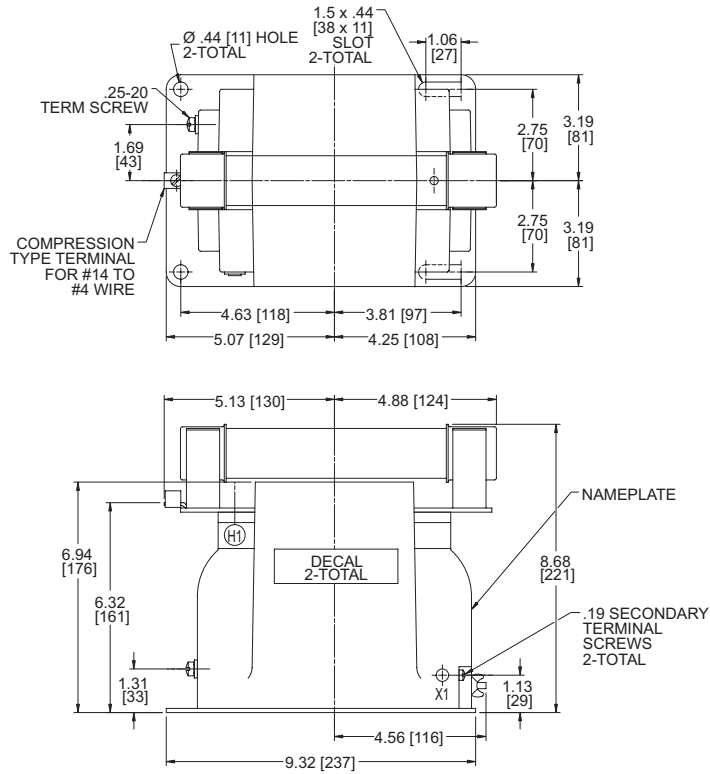
Test reports

Test reports are stored electronically and can be e-mailed in various formats at the time of shipment.

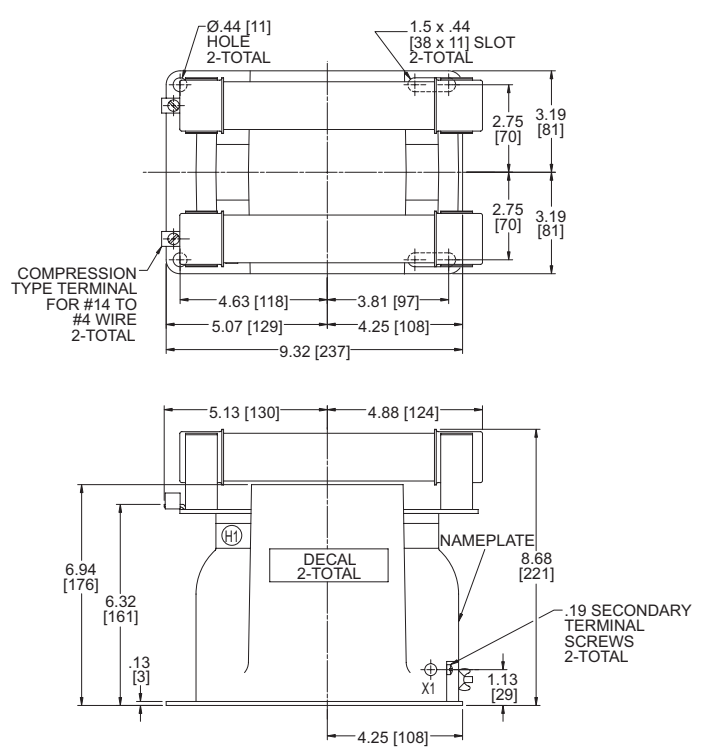
Standards

This unit can be tested to all applicable IEEE, CSA, or IEC standards as requested.

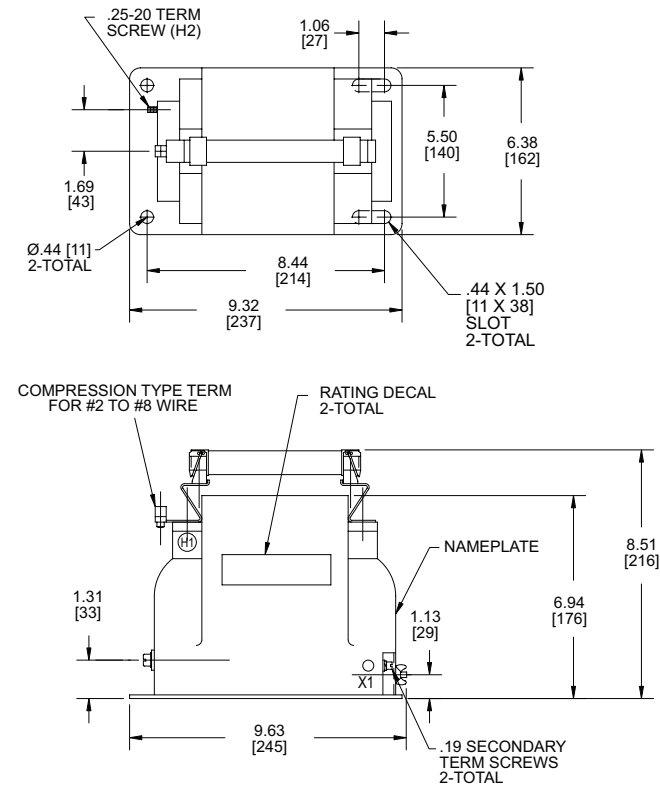
Unit dimensions



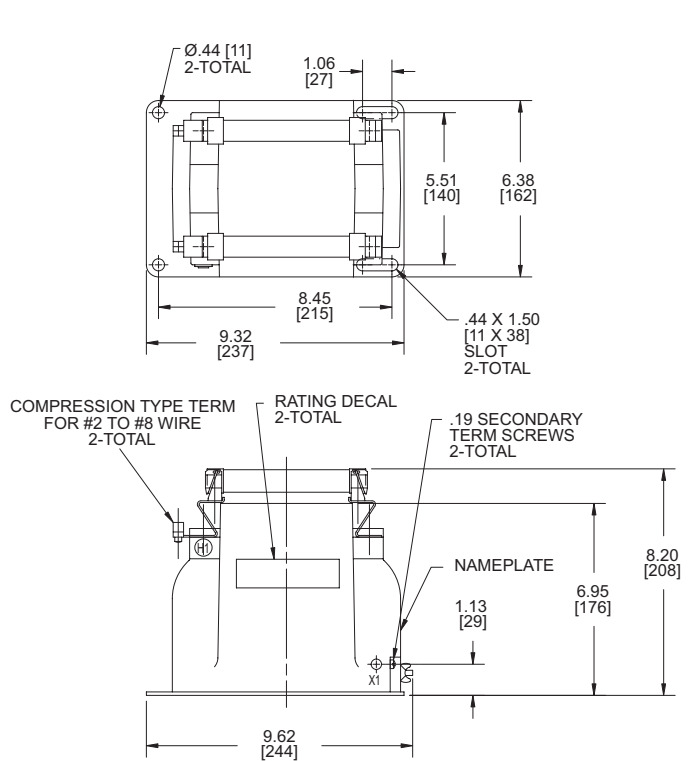
VIY-60, fused, indicating, one fuse (34 lbs)



VIY-60, fused, indicating, two fuses (36 lbs)

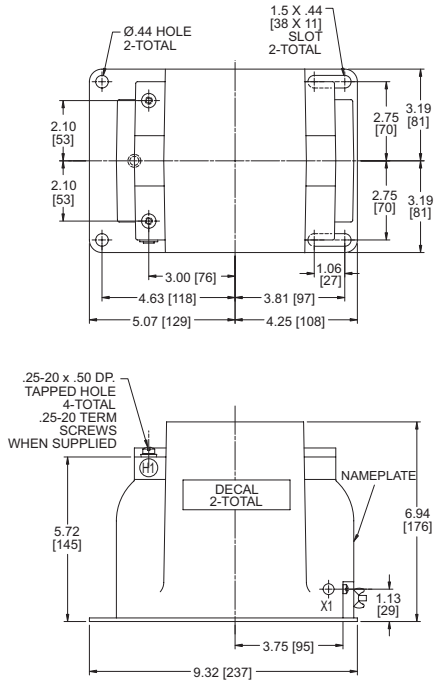


VIY-60, fused, non-indicating, one fuse (37 lbs)



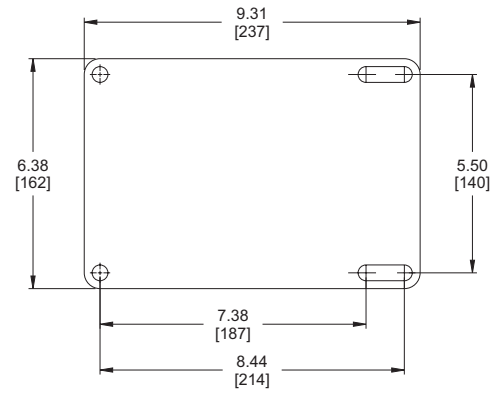
VIY-60, fused, non-indicating, two fuses (39 lbs)

Unit dimensions (cont'd)



VIY-60, unfused (32 lbs)

Baseplate dimensions



Optional accessories

Fuse kits to convert unfused VIY-60 to fused style:

- Two fuses and hardware 7527A97G01
- One fuse and hardware 7527A97G02

Replacement fuses:

- Type CLE-PT, 1.0, 5.5 kV (indicating) 50C5225G06
- Type CLE-PT, 1.0, 5.5 kV (non-indicating) 9626A33H03

Selection guide

Primary voltage	Secondary voltage	Winding ratio	IEEE metering accuracy	Rated voltage factor	Number of bushings	Number of fuses	Style number
Unfused (with no provision for fuse mounting)							
2400/4160Y	120	20:1	0.3Y	1.1	2	-	7525A50G01
4200/4200Y	120	35:1	0.3Y	1.1	2	-	7525A50G02
4800/4800Y	120	40:1	0.3Y	1.1	2	-	7525A50G03
Unfused (with provision for fuse mounting)							
2400/4160Y	120	20:1	0.3Y	1.1	4	-	7525A54G01
4200/4200Y	120	35:1	0.3Y	1.1	4	-	7525A54G02
4800/4800Y	120	40:1	0.3Y	1.1	4	-	7525A54G03
2400/4160GY	120	20:1	0.3Y	1.1	2	-	7525A55G01
4200/4200GY	120	35:1	0.3Y	1.1	2	-	7525A55G02
4800/4800GY	120	40:1	0.3Y	1.1	2	-	7525A55G03
Fused (indicating)							
2400/4160Y	120	20:1	0.3Y	1.1	4	2	7525A51G01
4200/4200Y	120	35:1	0.3Y	1.1	4	2	7525A51G02
4800/4800Y	120	40:1	0.3Y	1.1	4	2	7525A51G03
3300/3300Y	120	27.5:1	0.3Y	1.1	4	2	7525A51G12
3600/3600Y	120	30:1	0.3Y	1.1	4	2	7525A51G08
4160/4160Y	120	34.67:1	0.3Y	1.1	4	2	7525A51G32
2400/4160GY	120	20:1	0.3Y	1.1	2	1	7525A52G01
3300/3300GY	120	27.5:1	0.3Y	1.1	2	1	7525A52G15
4200/4200GY	120	35:1	0.3Y	1.1	2	1	7525A52G02
4800/4800GY	120	40:1	0.3Y	1.1	2	1	7525A52G03
Fused (non-indicating)							
2400/4160Y	120	20:1	0.3Y	1.1	4	2	9628A12G01
4200/4200Y	120	35:1	0.3Y	1.1	4	2	9628A12G02
4800/4800Y	120	40:1	0.3Y	1.1	4	2	9628A12G03
2400/4160GY	120	20:1	0.3Y	1.1	2	1	9628A11G01
4200/4200GY	120	35:1	0.3Y	1.1	2	1	9628A11G02
4800/4800GY	120	40:1	0.3Y	1.1	2	1	9628A11G03

Additional styles available upon request. Contact your ABB sales representative or call +1-252-827-3212 for more information.

Thermal rating: 1000 VA at 30°C; 700 VA at 55°C

Note: 50 Hz styles available

For more information please contact:

ABB Inc.

Medium Voltage Apparatus

3022 NC 43 North

Pinetops, NC 27864

USA

Phone: +1 252 827 3212

Fax: +1 252 827 4286

www.abb.com/mediumvoltage

Note:

The information contained in this document is for general information purposes only. While ABB strives to keep the information up to date and correct, it makes no representations or warranties of any kind, express or implied, about the completeness, accuracy, reliability, suitability, or availability with respect to the information, products, services, or related graphics contained in the document for any purpose. Any reliance placed on such information is therefore strictly at your own risk. ABB reserves the right to discontinue any product or service at any time.

Copyright 2005 ABB.

All rights reserved.



UL Recognized Component, File No. E148620